

GENERAL DESCRIPTION

The SGMNM05330 is a power MOSFET with low gate charge and a low on-state resistance. This feature makes it a good choice for load switches and PWM applications.

FEATURES

- High Power and Current Handling Capability
- Low On-State Resistance
- Low Total Gate Charge and Capacitance Losses
- RoHS Compliant and Halogen Free

APPLICATIONS

- PWM Applications
- Power Load Switch
- Battery Management
- Wireless Chargers

ABSOLUTE MAXIMUM RATINGS

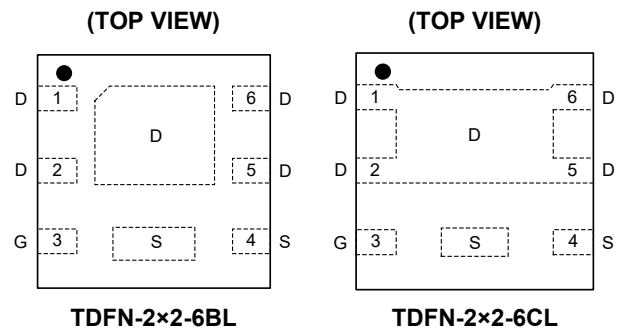
PARAMETER	SYMBOL	VALUE	UNITS
Drain-to-Source Voltage	V_{DS}	30	V
Gate-to-Source Voltage	V_{GS}	± 20	V
Continuous Drain Current (DC)	I_D	20	A
Continuous Drain Current (Pulse)	I_D	60	A
Total Dissipation	P_D	2.4	W
Avalanche Current	I_{AS}	26	A
Avalanche Energy	E_{AS}	33.8	mJ
Junction Temperature	T_J	+150	$^{\circ}C$
Storage Temperature Range	T_{STG}	-55 to +150	$^{\circ}C$
Lead Temperature (Soldering, 10s)		+260	$^{\circ}C$

Stresses beyond those listed in Absolute Maximum Ratings may cause permanent damage to the device. Exposure to absolute maximum rating conditions for extended periods may affect reliability.

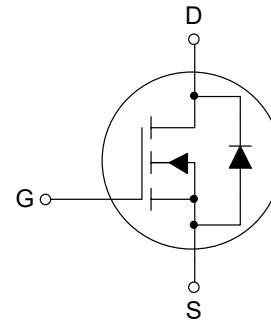
PRODUCT SUMMARY

$R_{DS(ON)}$ (TYP)	$R_{DS(ON)}$ (MAX)	I_D (MAX)
4.3m Ω	5m Ω	20A

PIN CONFIGURATIONS



EQUIVALENT CIRCUIT

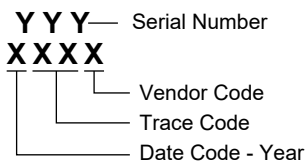


PACKAGE/ORDERING INFORMATION

MODEL	PACKAGE DESCRIPTION	SPECIFIED TEMPERATURE RANGE	ORDERING NUMBER	PACKAGE MARKING	PACKING OPTION
SGMNM05330	TDFN-2x2-6BL	-55°C to +150°C	SGMNM05330TTEN6G/TR	ON5 XXXX	Tape and Reel, 3000
	TDFN-2x2-6CL	-55°C to +150°C	SGMNM05330TTEO6G/TR	OPA XXXX	Tape and Reel, 3000

MARKING INFORMATION

NOTE: XXXX = Date Code, Trace Code and Vendor Code.



Green (RoHS & HF): SG Micro Corp defines "Green" to mean RoHS Compliant and Halogen Free.

DISCLAIMER

SG Micro Corp reserves the right to make any change in circuit design, or specifications without prior notice.

THERMAL RESISTANCE MAXIMUM RATINGS

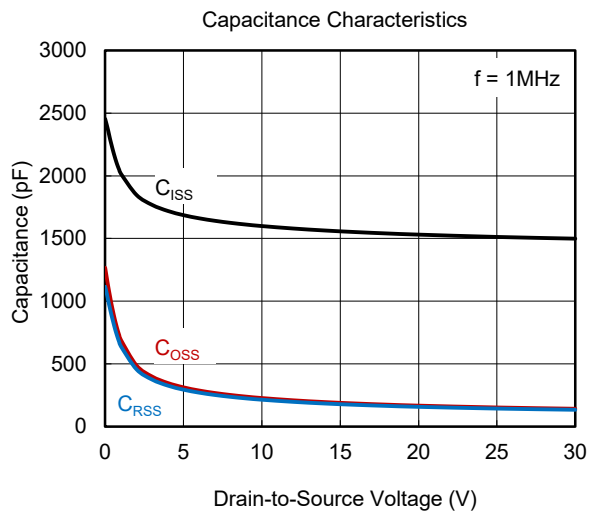
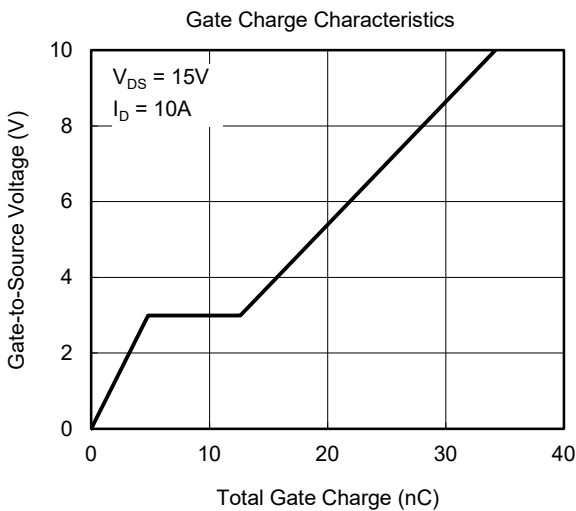
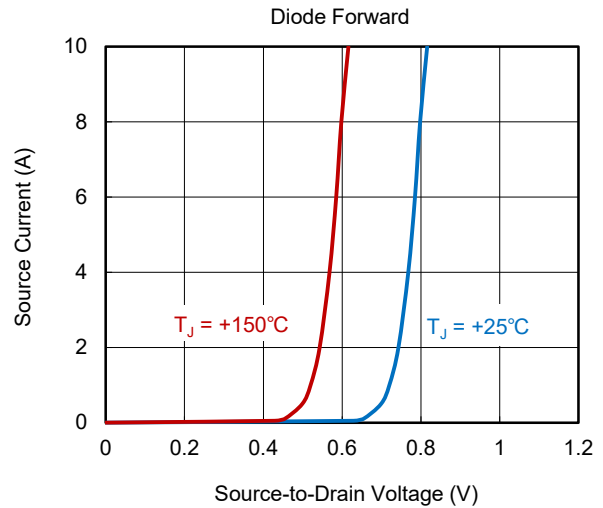
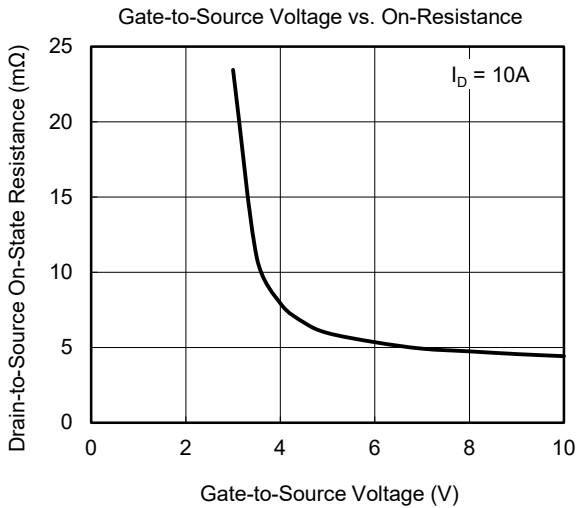
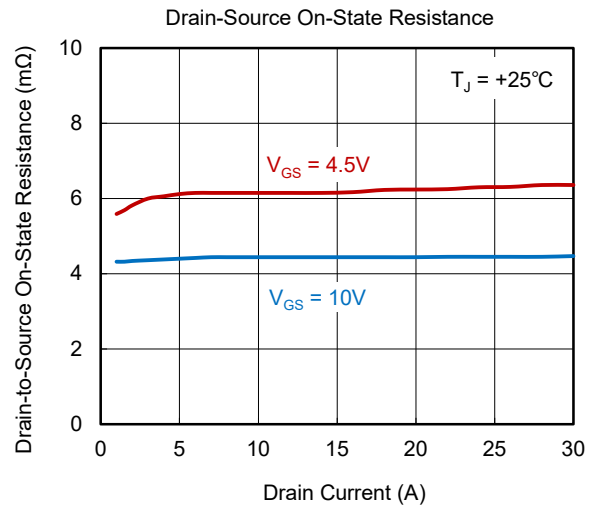
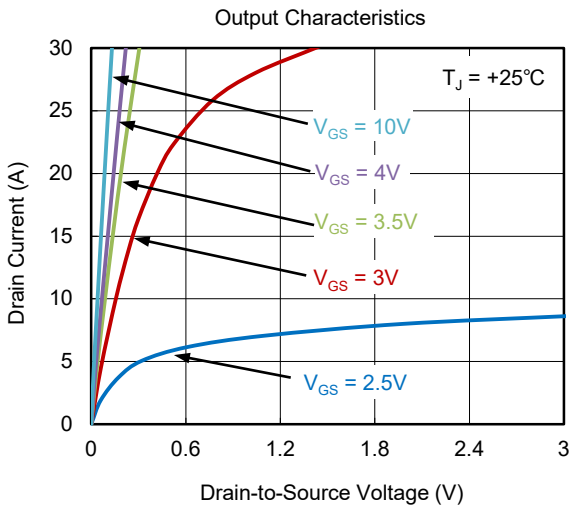
PARAMETER	SYMBOL	VALUE	UNITS
Junction-to-Ambient Thermal Resistance	$R_{\theta JA}$	52	°C/W

ELECTRICAL CHARACTERISTICS

(T_A = +25°C, unless otherwise noted.)

PARAMETER	SYMBOL	CONDITIONS	MIN	TYP	MAX	UNITS
Static OFF Characteristics						
Drain-to-Source Breakdown Voltage	V _{(BR)DSS}	I _D = 250μA, V _{GS} = 0V	30			V
Zero Gate Voltage Drain Current	I _{DSS}	V _{DS} = 30V, V _{GS} = 0V			1	μA
Gate-to-Source Leakage Current	I _{GSS}	V _{GS} = ±20V, V _{DS} = 0V			±100	nA
Static ON Characteristics						
Gate-to-Source Threshold Voltage	V _{GS(TH)}	V _{GS} = V _{DS} , I _D = 250μA	1	1.5	2	V
Drain-to-Source On-State Resistance	R _{DS(ON)}	I _D = 10A, V _{GS} = 10V		4.3	5	mΩ
		I _D = 10A, V _{GS} = 4.5V		6.1	8	
Forward Transconductance	g _{FS}	V _{DS} = 5V, I _D = 10A		13		S
Diode Characteristics						
Diode Forward Voltage	V _{F(SD)}	V _{GS} = 0V, I _S = 1A		0.7	1.2	V
Reverse Recovery Time	t _{RR}	I _S = 10A, V _{GS} = 0V, di/dt = 100A/μs		11		ns
Reverse Recovery Charge	Q _{RR}			3.4		nC
Dynamic Characteristics						
Gate Resistance	R _G	V _{GS} = 0V, V _{DS} = 0V, f = 1MHz		1		Ω
Input Capacitance	C _{ISS}	V _{DS} = 15V, V _{GS} = 0V, f = 1MHz		1557		pF
Output Capacitance	C _{OSS}			189		
Reverse Transfer Capacitance	C _{RSS}			178		
Total Gate Charge	Q _G	V _{DS} = 15V, V _{GS} = 10V, I _D = 10A		34.2		nC
Gate-to-Source Charge	Q _{GS}			4.6		
Gate-to-Drain Charge	Q _{GD}			7.2		
Switch Characteristics						
Turn-On Delay Time	t _{D(ON)}	V _{DS} = 15V, V _{GS} = 10V, I _D = 10A, R _G = 6Ω		17		ns
Rise Time	t _R			48		
Turn-Off Delay Time	t _{D(OFF)}			32		
Fall Time	t _F			23		

TYPICAL PERFORMANCE CHARACTERISTICS



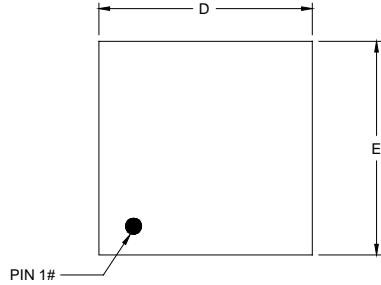
REVISION HISTORY

NOTE: Page numbers for previous revisions may differ from page numbers in the current version.

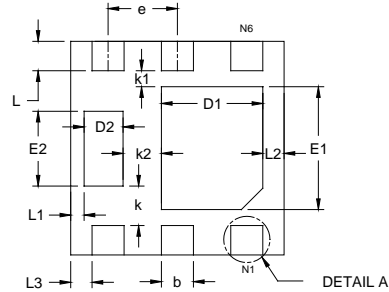
Changes from Original (DECEMBER 2021) to REV.A	Page
Changed from product preview to production data.....	All

PACKAGE OUTLINE DIMENSIONS

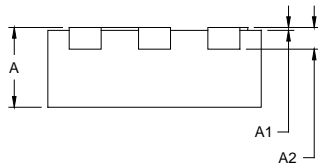
TDFN-2x2-6BL



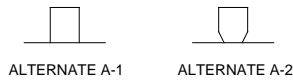
TOP VIEW



BOTTOM VIEW

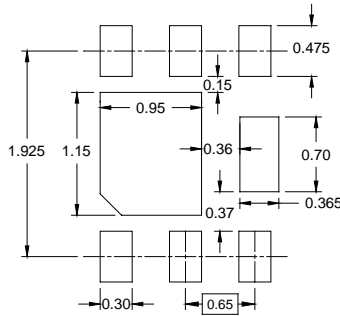


SIDE VIEW



DETAIL A

ALTERNATE TERMINAL CONSTRUCTION



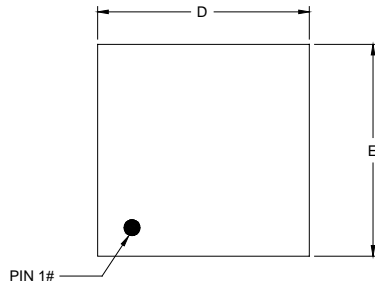
RECOMMENDED LAND PATTERN (Unit: mm)

Symbol	Dimensions In Millimeters		
	MIN	MOD	MAX
A	0.700	0.750	0.800
A1	0.000	0.020	0.050
A2	0.200 REF		
b	0.250	0.300	0.350
D	1.900	2.000	2.100
E	1.900	2.000	2.100
D1	0.850	0.950	1.050
E1	1.050	1.150	1.250
D2	0.315	0.365	0.415
E2	0.650	0.700	0.750
e	0.650 BSC		
k	0.370 REF		
k1	0.150 REF		
k2	0.360 REF		
L	0.225	0.275	0.325
L1	0.125 REF		
L2	0.200 REF		
L3	0.200 REF		

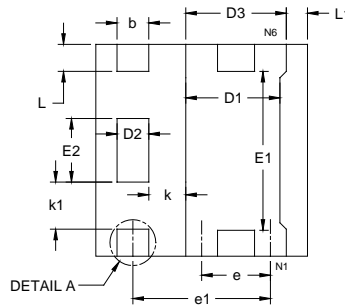
NOTE: This drawing is subject to change without notice.

PACKAGE OUTLINE DIMENSIONS

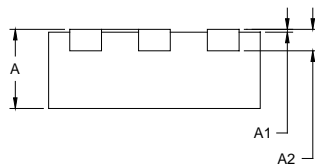
TDFN-2x2-6CL



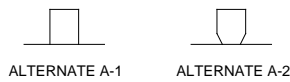
TOP VIEW



BOTTOM VIEW

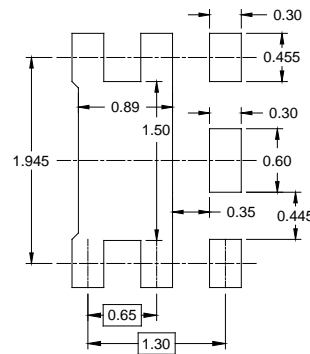


SIDE VIEW



DETAIL A

ALTERNATE TERMINAL CONSTRUCTION



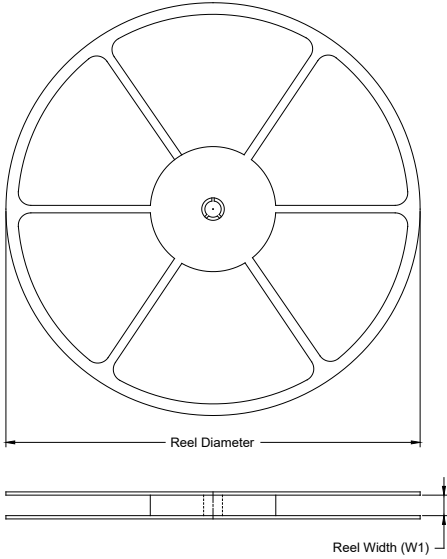
RECOMMENDED LAND PATTERN (Unit: mm)

Symbol	Dimensions In Millimeters		
	MIN	MOD	MAX
A	0.700	0.750	0.800
A1	0.000	0.020	0.050
A2	0.200 REF		
b	0.250	0.300	0.350
D	1.900	2.000	2.100
E	1.900	2.000	2.100
D1	0.790	0.890	0.990
E1	1.400	1.500	1.600
D2	0.200	0.300	0.400
E2	0.500	0.600	0.700
D3	0.950 REF		
e	0.650 BSC		
e1	1.300 BSC		
k	0.350 REF		
k1	0.445 REF		
L	0.180	0.255	0.355
L1	0.200 REF		

NOTE: This drawing is subject to change without notice.

TAPE AND REEL INFORMATION

REEL DIMENSIONS



TAPE DIMENSIONS



NOTE: The picture is only for reference. Please make the object as the standard.

KEY PARAMETER LIST OF TAPE AND REEL

Package Type	Reel Diameter	Reel Width W1 (mm)	A0 (mm)	B0 (mm)	K0 (mm)	P0 (mm)	P1 (mm)	P2 (mm)	W (mm)	Pin1 Quadrant
TDFN-2×2-6BL	7"	9.5	2.30	2.30	1.00	4.0	4.0	2.0	8.0	Q1
TDFN-2×2-6CL	7"	9.5	2.30	2.30	1.00	4.0	4.0	2.0	8.0	Q1

DD0001

PACKAGE INFORMATION

CARTON BOX DIMENSIONS



NOTE: The picture is only for reference. Please make the object as the standard.

KEY PARAMETER LIST OF CARTON BOX

Reel Type	Length (mm)	Width (mm)	Height (mm)	Pizza/Carton
7" (Option)	368	227	224	8
7"	442	410	224	18

DD0002