

## Features

- \* 330W peak pulse power (8/20 $\mu$ s)
- \* Low operating :24V
- \* Ultra low capacitance: 1.0 pF typical
- \* Ultra low leakage: nA level
- \* Low clamping voltage
- \* Protects one power line or data line
- \* Complies with following standards:
  - IEC 61000-4-2 (ESD) immunity test  
Air discharge:  $\pm 30$ kV  
Contact discharge:  $\pm 30$ kV
  - IEC61000-4-4 (EFT) 40A (5/50ns)
- \* RoHS Compliant

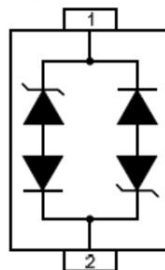
## Mechanical Characteristics

- \* Package: SOD-323
- \* Ultra low leakage: nA level
- \* Case Material: “Green” Molding Compound.
- \* UL Flammability Classification Rating 94V-0
- \* Moisture Sensitivity: Level 3 per J-STD-020
- \* Shipping Qty :3000pcs/7Inch Tape & Reel

## Applications

- \* Cellular Handsets and Accessories
- \* Personal Digital Assistants
- \* Notebooks and Handhelds
- \* Portable Instrumentation
- \* Peripherals

## Dimensions and Pin Configuration

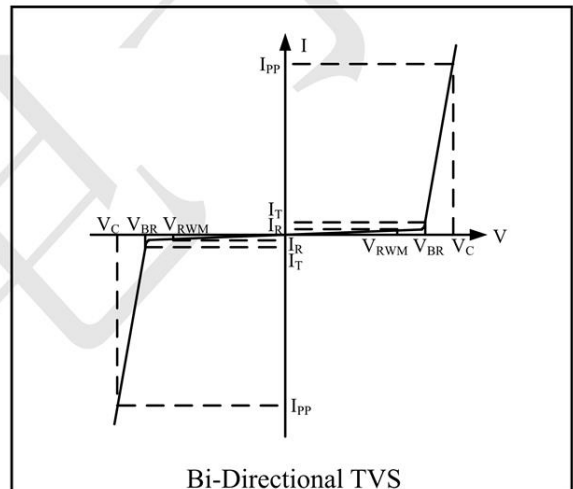


**Absolute Maximum Ratings** (Tamb=25°C unless otherwise specified)

| Parameter                       | Symbol | Value       | Unit |
|---------------------------------|--------|-------------|------|
| ESD per IEC 61000-4-2 (Air)     | VESD   | ±30         | kV   |
| ESD per IEC 61000-4-2 (Contact) |        | ±30         |      |
| Operating Temperature Range     | TJ     | -55 to +125 | °C   |
| Storage Temperature Range       | Tstg   | -55 to +150 | °C   |

**Electrical Characteristics** (TA=25°C unless otherwise specified)

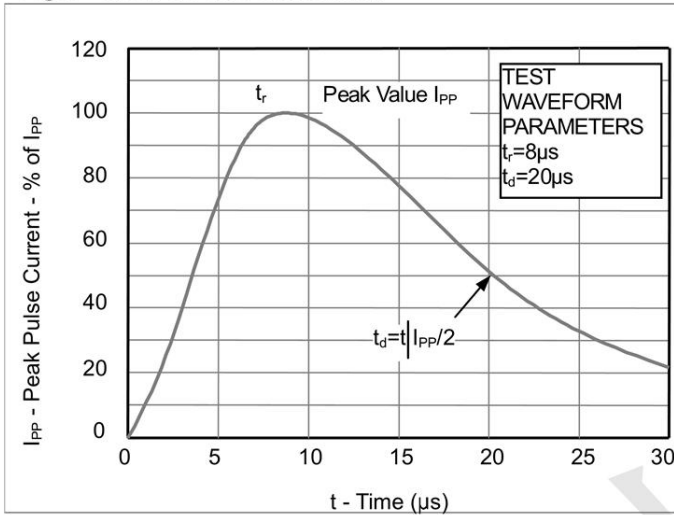
| Symbol    | Parameter                           |
|-----------|-------------------------------------|
| $V_{RWM}$ | Nominal Reverse Working Voltage     |
| $I_R$     | Reverse Leakage Current @ $V_{RWM}$ |
| $V_{BR}$  | Reverse Breakdown Voltage @ $I_T$   |
| $I_T$     | Test Current for Reverse Breakdown  |
| $V_C$     | Clamping Voltage @ $I_{PP}$         |
| $I_{PP}$  | Maximum Peak Pulse Current          |
| $C_{ESD}$ | Parasitic Capacitance               |
| $V_R$     | Reverse Voltage                     |
| f         | Small Signal Frequency              |



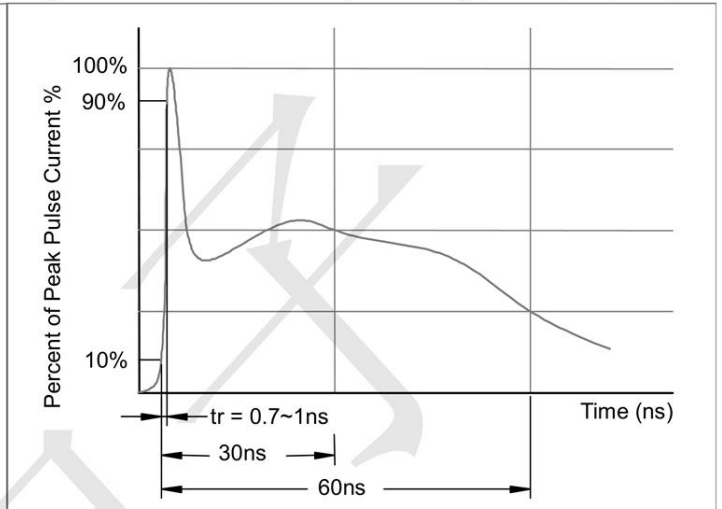
| Parameter               | Symbol    | Test Condition                                    | Min | Typ | Max | Unit          |
|-------------------------|-----------|---|-----|-----|-----|---------------|
| Reverse Working Voltage | $V_{RWM}$ |   |     |     | 24  | V             |
| Breakdown Voltage       | $V_{BR}$  | $I_T = 1\text{mA}$                                | 27  |     |     | V             |
| Reverse Leakage Current | $I_R$     | $V_{RWM} = 24\text{V}$                            |     |     | 0.2 | $\mu\text{A}$ |
| Clamping Voltage        | $V_C$     | $I_{PP} = 1\text{A}$ (8 x 20 $\mu\text{s}$ pulse) |     |     | 43  | V             |
| Clamping Voltage        | $V_C$     | $I_{PP} = 7\text{A}$ (8 x 20 $\mu\text{s}$ pulse) |     |     | 52  | V             |
| Junction Capacitance    | $C_J$     | $V_R = 0\text{V}$ , f = 1MHz                      |     | 1   |     | pF            |

**Electrical Characteristics ( $T_A=25^\circ\text{C}$  unless otherwise specified)**

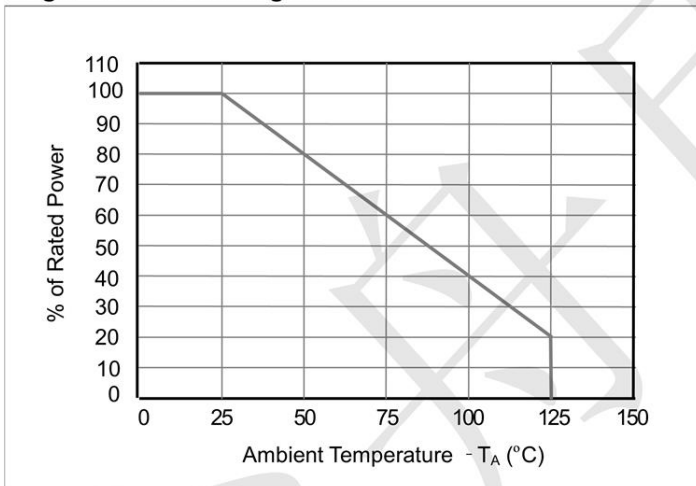
**Fig1. 8/20 $\mu\text{s}$  Pulse Waveform**



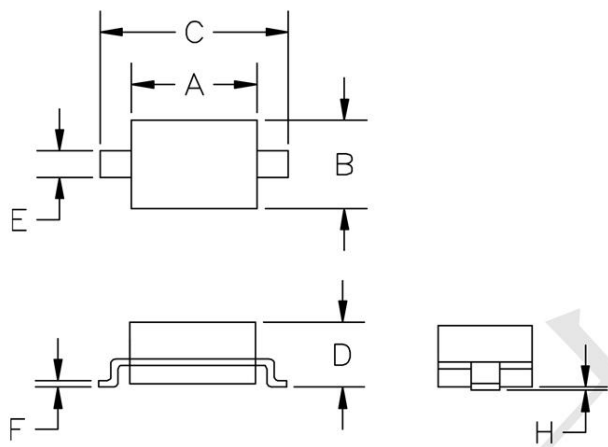
**Fig2. ESD Pulse Waveform (according to IEC 61000-4-2)**



**Fig3. Power Derating Curve**

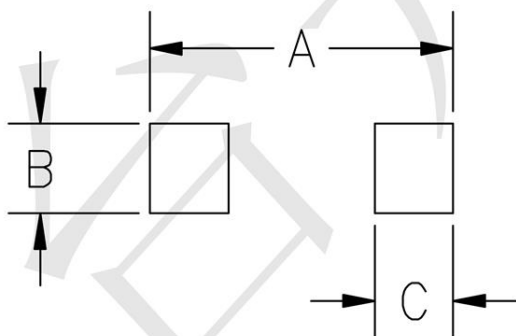


**Outline Drawing - SOD-323**



| SYM | DIMENSIONS  |      |        |       |
|-----|-------------|------|--------|-------|
|     | MILLIMETERS |      | INCHES |       |
|     | MIN         | MAX  | MIN    | MAX   |
| A   | 1.50        | 1.80 | 0.060  | 0.071 |
| B   | 1.20        | 1.40 | 0.045  | 0.054 |
| C   | 2.30        | 2.70 | 0.090  | 0.107 |
| D   | -           | 1.10 | -      | 0.043 |
| E   | 0.30        | 0.40 | 0.012  | 0.016 |
| F   | 0.10        | 0.25 | 0.004  | 0.010 |
| H   | -           | 0.10 | -      | 0.004 |

**Land Pattern - SOD-323**



| SYM | DIMENSIONS  |        |
|-----|-------------|--------|
|     | MILLIMETERS | INCHES |
| A   | 3.15        | 0.120  |
| B   | 0.80        | 0.031  |
| C   | 0.80        | 0.031  |