



SGM811B/SGM812B Microprocessor Supervisory Circuits with Manual Reset Input

GENERAL DESCRIPTION

The SGM811B and SGM812B are integrated microprocessor supervisory devices which can be reset under power-up, power-down or even voltage reduction brownout conditions. When V_{CC} is as low as 1V, the reset output can still operate. On the power-on state, the internal timer maintains a 200ms reset assertion that keeps the microprocessor in the reset state until the condition is stable.

The SGM811B has an active-low nRESET output, while the SGM812B has an active-high RESET output. The devices provide three reset threshold voltage options for 3V and 3.3V voltage monitoring.

The devices also provide a manual reset (nMR) function. It can reduce damage if the device loses its control or is locked.

The SGM811B and SGM812B are available in a Green SOT-143 package. They operate over a junction temperature range of -40°C to $+125^{\circ}\text{C}$.

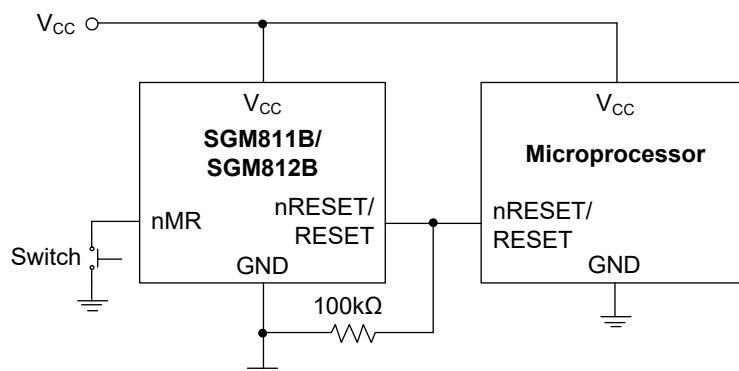
FEATURES

- Superior Upgrade for MAX811/MAX812 and ADM811/ADM812
- High Accuracy Fixed Detection Options: 3V and 3.3V
- Low Supply Current: $< 1\mu\text{A}$ (TYP)
- 200ms (TYP) Power-on Reset Pulse Width
- Reset Output Options:
 - ◊ Active-Low nRESET Output: SGM811B
 - ◊ Active-High RESET Output: SGM812B
- Manual Reset Input
- Reset Valid Down to $V_{CC} = 1\text{V}$
- -40°C to $+125^{\circ}\text{C}$ Operating Temperature Range
- Available in a Green SOT-143 Package

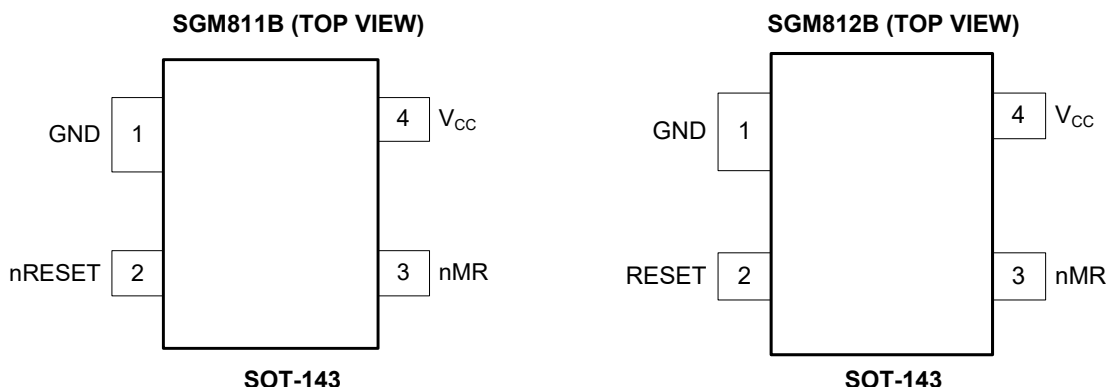
APPLICATIONS

Computers
Battery-Powered Applications
Portable Equipment
Automotive Equipment
Safety Systems
Intelligent Instruments
Critical μP Power Monitoring

TYPICAL APPLICATION



PIN CONFIGURATION



PIN DESCRIPTION

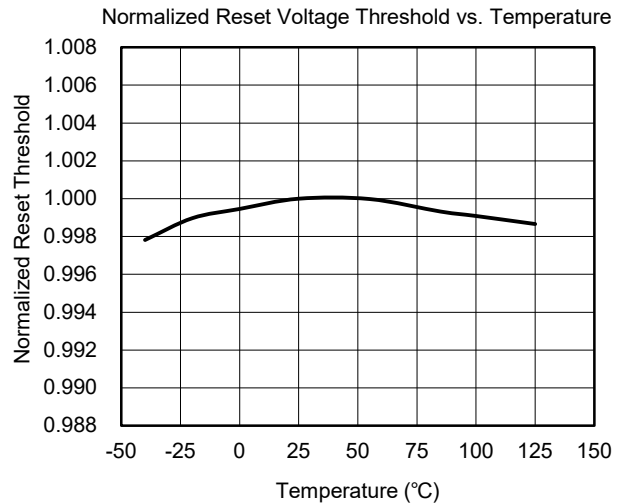
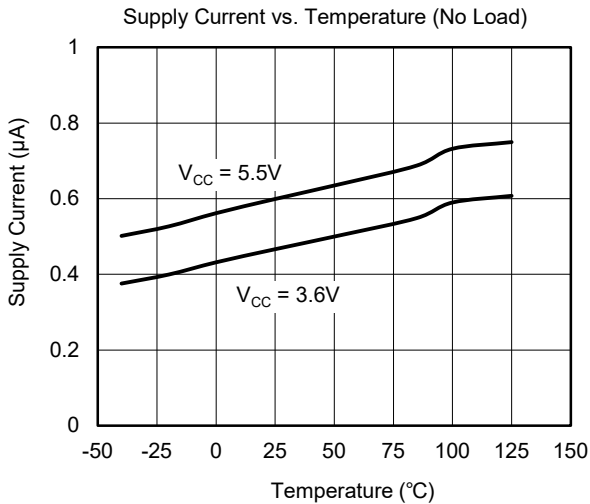
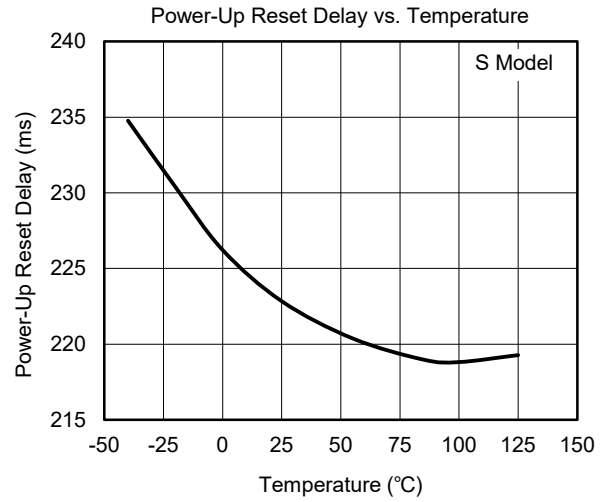
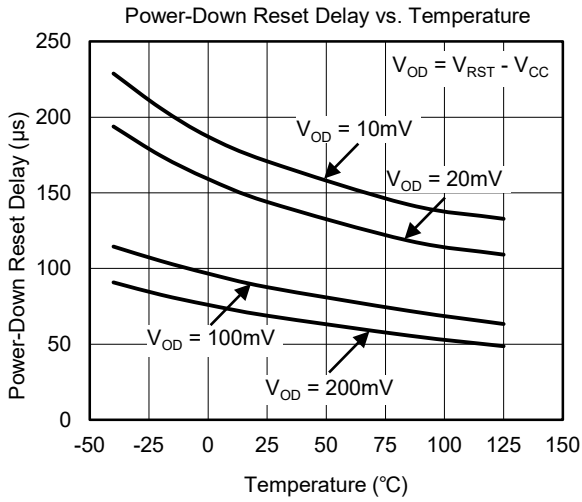
NAME	PIN NUMBER		FUNCTION
	SGM811B	SGM812B	
GND	1	1	Ground.
nRESET	2	—	Active-Low Reset Output Pin. If V _{CC} falls below the reset threshold or nMR is low, nRESET will keep low. If V _{CC} exceeds the reset threshold, the nRESET will keep low for 200ms (TYP).
RESET	—	2	Active-Low Reset Output Pin. If the V _{CC} falls below the reset threshold or nMR is low, RESET will keep high. If the V _{CC} exceeds the reset threshold, RESET will keep high for 200ms (TYP).
nMR	3	3	Manual Reset Input Pin. It is an active-low reset input with an internal pull-up resistor of 59kΩ. nRESET keeps low when nMR is low. When nMR is high, nRESET becomes high after a timeout period. The nMR can be driven by a CMOS logic or by a switch shorting to GND. If not used, leave it open or connect it to V _{CC} .
V _{CC}	4	4	Supply Voltage Pin.

ELECTRICAL CHARACTERISTICS

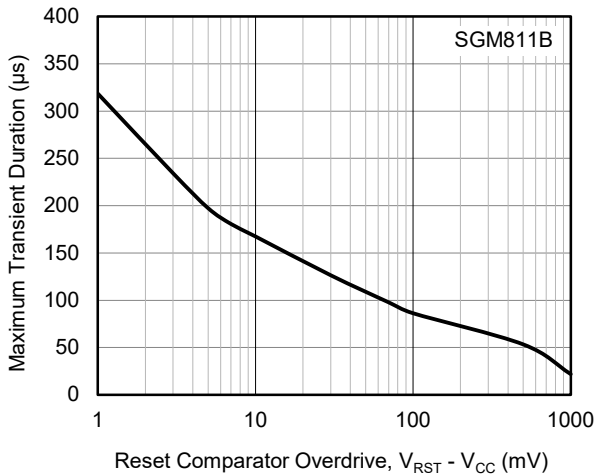
(V_{CC} = 3.3V for T/S Models, V_{CC} = 3V for R Model, T_J = -40°C to +125°C, typical values are at T_J = +25°C, unless otherwise noted.)

PARAMETER		SYMBOL	CONDITIONS	MIN	TYP	MAX	UNITS	
Operating Voltage Range		V _{CC}		1.0		5.5	V	
Supply Current		I _{SUPPLY}	V _{CC} = 3.6V		0.5	1.0	μA	
			V _{CC} = 5.5V		0.6	1.4		
Reset Threshold		V _{RST}	T Model	T _J = +25°C	3.03	3.08	3.14	V
				T _J = -40°C to +125°C	3.03		3.15	
			S Model	T _J = +25°C	2.88	2.93	2.98	
				T _J = -40°C to +125°C	2.87		2.99	
			R Model	T _J = +25°C	2.59	2.63	2.67	
				T _J = -40°C to +125°C	2.58		2.68	
Reset Threshold Hysteresis			T Model		13		mV	
			S Model		13			
			R Model		12			
Reset Threshold Temperature Coefficient			T _J = -40°C to +125°C		20		ppm/°C	
V _{CC} to Reset Delay		t _{RD}	V _{RST} - V _{CC} = 100mV		84		μs	
Reset Pulse Width		t _{RS}		140	200	290	ms	
Manual Reset								
Minimum Pulse Width				300			ns	
Glitch Immunity					130		ns	
Reset Propagation Delay						400	ns	
Pull-Up Resistance				40	59	81	kΩ	
The Manual Reset Circuit Act on:	An Input Rising above		V _{CC} > V _{RST(MAX)}	0.7 × V _{CC}			V	
	An Input Falling below		V _{CC} > V _{RST(MAX)}			0.3 × V _{CC}		
nRESET/RESET Output Voltage								
Low (SGM811B)			V _{CC} = V _{RST(MIN)} , I _{SINK} = 1.2mA			0.4	V	
Low (SGM811B)			V _{CC} > 1.0V, I _{SINK} = 50μA			0.3		
High (SGM811B)			V _{CC} > V _{RST(MAX)} , I _{SOURCE} = 30μA	0.8 × V _{CC}				
Low (SGM812B)			V _{CC} = V _{RST(MAX)} , I _{SINK} = 1.2mA			0.4		
High (SGM812B)			1.8V < V _{CC} < V _{RST(MIN)} , I _{SOURCE} = 150μA	0.8 × V _{CC}				

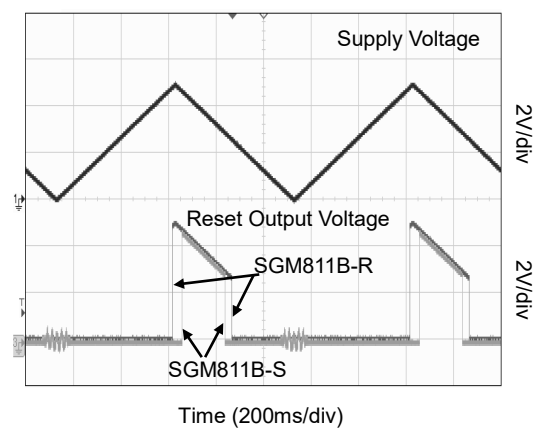
TYPICAL PERFORMANCE CHARACTERISTICS



Maximum Transient Duration without Causing a Reset Pulse vs. Reset Comparator Overdrive



Reset Output Voltage vs. Supply Voltage



APPLICATION INFORMATION

Manual Reset Input

The SGM811B and SGM812B provide a manual reset (nMR) function that allows users to reset the system manually. It is an active-low reset input with an internal pull-up resistor of 59kΩ. When the nMR is low, and for t_{RS} (200ms, TYP) after nMR returns high, the reset remains active. The nMR can be driven by a CMOS logic or by a reset switch shorting to GND. If not used, leave it open or connect it to the V_{CC}. When the device is far away from the reset switch or used in a noisy environment, a 0.1μF capacitor is recommended to connect between nMR and GND.

Precise Reset Threshold

When the supply voltage drops significantly for the power supply fault, the SGM811B and SGM812B can even operate normally, which greatly reduces the possibility of system failure. In addition, the internal reference voltage accuracy of the SGM811B and SGM812B is very high, which provides high reliability of the devices.

nRESET Valid to V_{CC} = 0V (SGM811B)

The nRESET of SGM811B will stop sinking current and become open circuit if V_{CC} is below 1.0V. And if a high impedance CMOS logic input is connected to the nRESET, the logic level of the CMOS input is undetermined. To solve the problem, it is recommended to use a 100kΩ resistor between nRESET and GND.

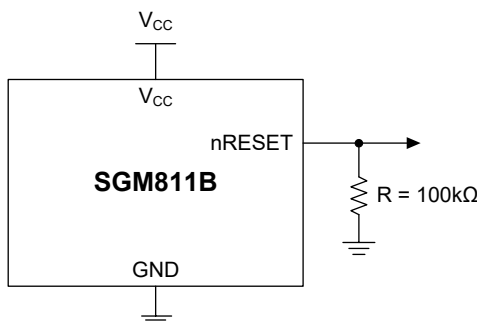


Figure 1. nRESET Valid to V_{CC} = 0V Circuit

Reset Output

To ensure sufficient time for the power supply and microprocessor to stabilize after power-up, a 200ms (TYP) reset output will hold by the internal timer after V_{CC} exceeds the reset threshold voltage. Similarly, a 200ms (TYP) reset output will also exist after the power supply recover from brownout or interruption that allows the power supply and microprocessor to have enough time to reach a steady state (Figure 2).

The SGM811B has an active-low nRESET output, while the SGM812B has an active-high RESET output. When V_{CC} is as low as 1V during power-down, the nRESET of the SGM811B will continue output a low level. This not only keeps the microprocessor shutdown when the supply voltage falls, but also prevents the microprocessor occurring false actions when it powers up.

Glitch Immunity

The SGM811B and SGM812B have an internal filter circuit, which makes them have glitch immunity ability to bear the fast transient glitches on the power supply.

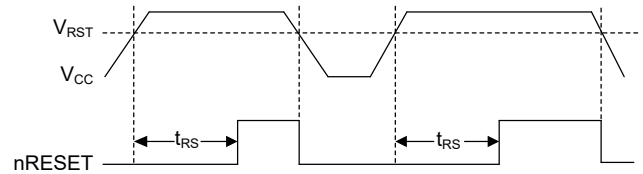


Figure 2. Power Fail nRESET Timing

Interfacing to Other Devices Output

In order to allow the SGM811B and SGM812B to be integrated with a variety of devices, it is guaranteed that the reset output is proportional to the V_{CC} when the V_{CC} is more than 1V. This allows the device to be used with any supply voltage between the minimum and maximum of the V_{CC}, including 3V and 3.3V.

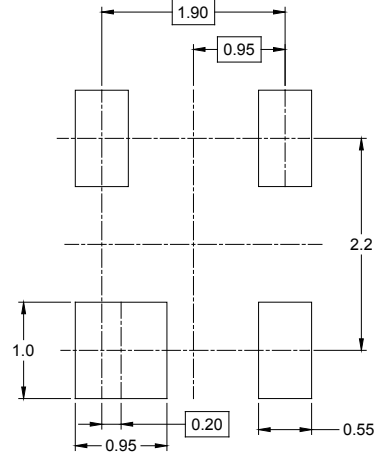
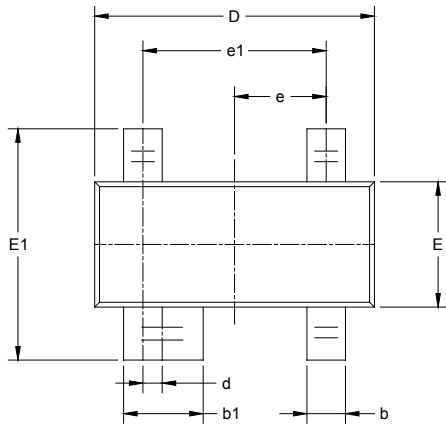
REVISION HISTORY

NOTE: Page numbers for previous revisions may differ from page numbers in the current version.

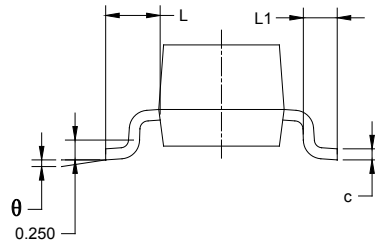
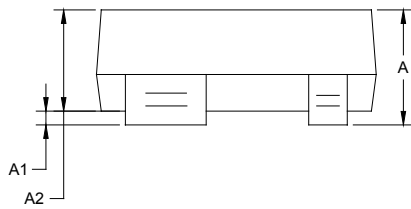
JUNE 2022 – REV.A.2 to REV.A.3	Page
Updated General Description section.....	1
Updated Application Information section.....	6
<hr/>	
SEPTEMBER 2021 – REV.A.1 to REV.A.2	Page
Changed Electrical Characteristics	4
<hr/>	
FEBRUARY 2021 – REV.A to REV.A.1	Page
Changed Electrical Characteristics and Typical Performance Characteristics sections	4, 5
<hr/>	
Changes from Original (DECEMBER 2018) to REV.A	
Changed from product preview to production data.....	All

PACKAGE OUTLINE DIMENSIONS

SOT-143



RECOMMENDED LAND PATTERN (Unit: mm)



Symbol	Dimensions In Millimeters		Dimensions In Inches	
	MIN	MAX	MIN	MAX
A	0.900	1.150	0.035	0.045
A1	0.000	0.100	0.000	0.004
A2	0.900	1.050	0.035	0.041
b	0.300	0.500	0.012	0.020
b1	0.750	0.900	0.030	0.035
c	0.080	0.150	0.003	0.006
D	2.800	3.000	0.110	0.118
d	0.200 TYP		0.008 TYP	
E	1.200	1.400	0.047	0.055
E1	2.250	2.550	0.089	0.100
e	0.95 TYP		0.037 TYP	
e1	1.800	2.000	0.071	0.079
L	0.55 REF		0.022 REF	
L1	0.300	0.500	0.012	0.020
θ	0°	8°	0°	8°

PACKAGE INFORMATION

TAPE AND REEL INFORMATION

REEL DIMENSIONS



TAPE DIMENSIONS



NOTE: The picture is only for reference. Please make the object as the standard.

KEY PARAMETER LIST OF TAPE AND REEL

Package Type	Reel Diameter	Reel Width W1 (mm)	A0 (mm)	B0 (mm)	K0 (mm)	P0 (mm)	P1 (mm)	P2 (mm)	W (mm)	Pin1 Quadrant
SOT-143	7"	9.5	3.20	2.80	1.30	4.0	4.0	2.0	8.0	Q3

DD0001

PACKAGE INFORMATION

CARTON BOX DIMENSIONS



NOTE: The picture is only for reference. Please make the object as the standard.

KEY PARAMETER LIST OF CARTON BOX

Reel Type	Length (mm)	Width (mm)	Height (mm)	Pizza/Carton
7" (Option)	368	227	224	8
7"	442	410	224	18

DD0002