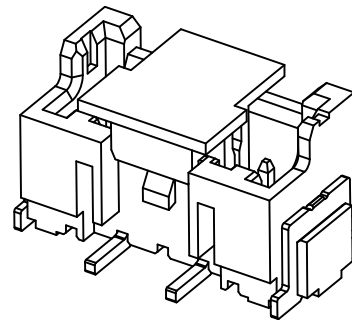
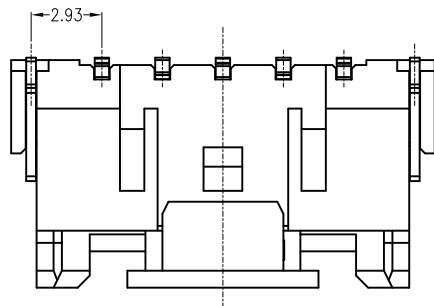
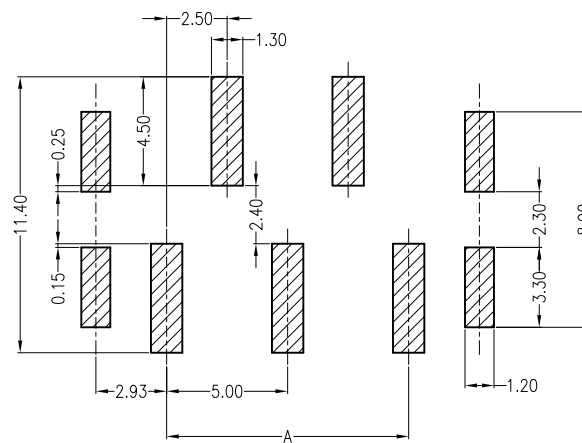
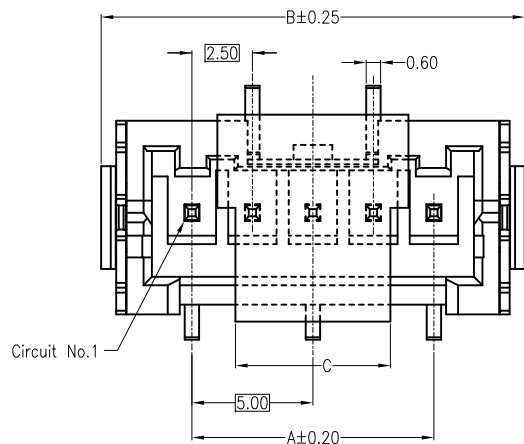


| 修订 REV | 标记 MARK | 修改摘要 REVISION DESCRIPTION | 签名 SIGNATURE | 日期 DATE |
|-----------|------------|------------------------------|-----------------|------------|
| AO | | NEW RELEASE | 黄艳兰 | 2021-08-22 |



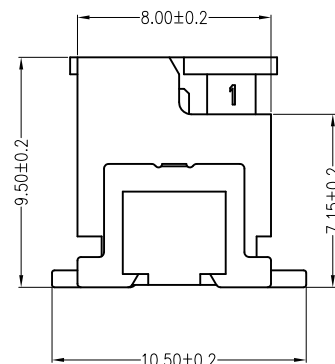
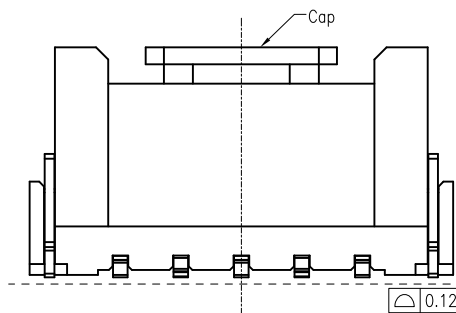
Specifications:

Contact resistance: $\leq 10\text{m}\Omega$
 Insulation resistance: $\geq 1000\text{M}\Omega$
 Rated voltage: 250V AC DC
 Rated current: 3.0A AC DC
 Withstand Voltage: 1000V AC/minute
 Temperature Range: $-25^{\circ}\text{C} \sim +85^{\circ}\text{C}$
 Housing: PA9T UL94V-0, Natural (Beige)
 Cap: PA9T UL94V-0, Natural (Beige)
 Contacts: Brass/Sn-plated
 Solder Tabs: Brass/Sn-plated



RECOMMENDED PCB LAYOUT

| Circuits | Dimensions (mm) | | |
|----------|-----------------|-------|------|
| | A | B | C |
| 02 | 2.50 | 10.00 | 5.30 |
| 03 | 5.00 | 12.50 | |
| 04 | 7.50 | 15.00 | |
| 05 | 10.00 | 17.50 | |
| 06 | 12.50 | 20.00 | |
| 07 | 15.00 | 22.50 | 6.40 |
| 08 | 17.50 | 25.00 | |
| 09 | 20.00 | 27.50 | |
| 10 | 22.50 | 30.00 | |
| 11 | 25.00 | 32.50 | |
| 12 | 27.50 | 35.00 | |
| 13 | 30.00 | 37.50 | |
| 14 | 32.50 | 40.00 | |
| 15 | 35.00 | 42.50 | |



HDGC 深圳市华德共创科技有限公司
 Shenzhen Huade co-create Technology Co., LTD
 TEL : 0755-27111225 FAX : 0755-29940187

| -TOLERANCES- UNLESS OTHERWISE SPECIFIED 公差参数表 | | | | TITLE: 产品名称: XA2.5立贴 | |
|---|-------|--------|-----|-------------------------|-------------------------------------|
| X.X | ±0.30 | X.X° | ±3° | APPD: 核准: 谢亮 | PART NO: 产品编号: HDGC2523WV-S-XP-F |
| X.XX | ±0.30 | X.XX° | ±2° | CHECK: 校对: 王建业 | DATE |
| X.XXX | ±0.10 | X.XXX° | ±1° | DRAW: 绘图: 黄艳兰 | SCALE |
| | | | | | UNIT |
| | | | | | CODE NUMBER |