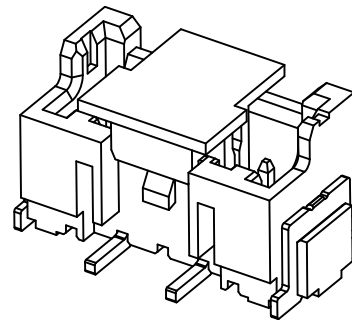
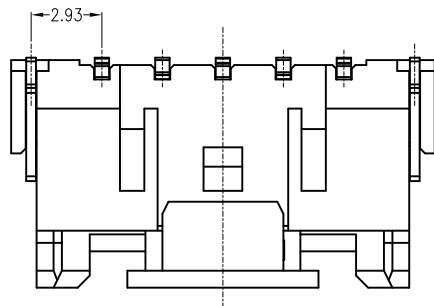
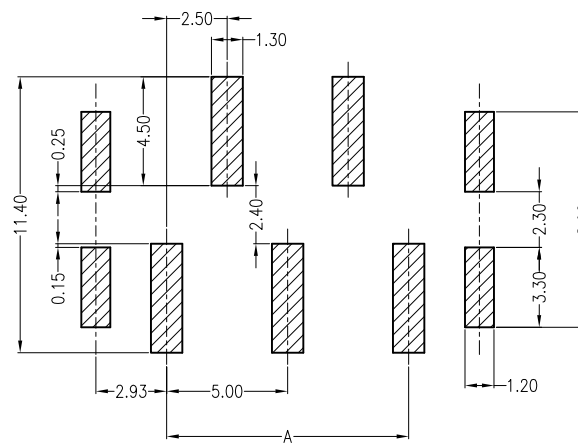
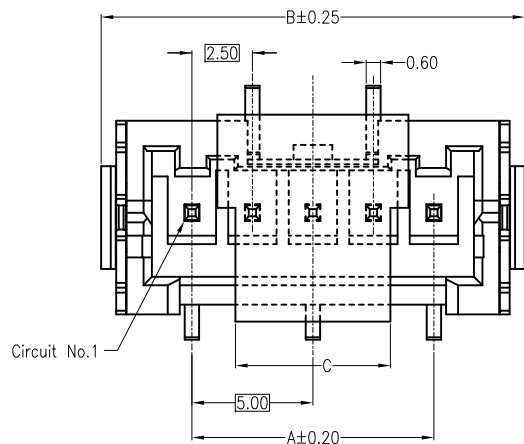


修订 REV	标记 MARK	修改摘要 REVISION DESCRIPTION	签名 SIGNATURE	日期 DATE
AO		NEW RELEASE	黄艳兰	2021-08-22



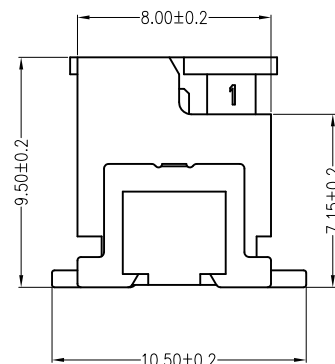
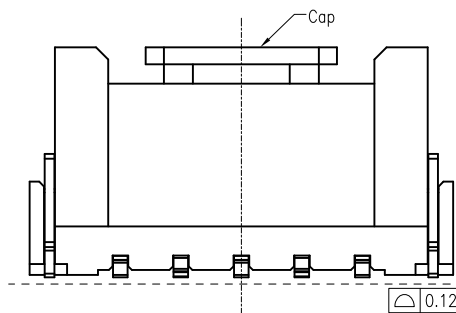
Specifications:

Contact resistance: $\leq 10m\Omega$
 Insulation resistance: $\geq 1000M\Omega$
 Rated voltage: 250V AC DC
 Rated current: 3.0A AC DC
 Withstand Voltage: 1000V AC/minute
 Temperature Range: $-25^{\circ}C \sim +85^{\circ}C$
 Housing: PA9T UL94V-0, Natural (Beige)
 Cap: PA9T UL94V-0, Natural (Beige)
 Contacts: Brass/Sn-plated
 Solder Tabs: Brass/Sn-plated



RECOMMENDED PCB LAYOUT

Circuits	Dimensions (mm)		
	A	B	C
02	2.50	10.00	5.30
03	5.00	12.50	
04	7.50	15.00	
05	10.00	17.50	
06	12.50	20.00	
07	15.00	22.50	6.40
08	17.50	25.00	
09	20.00	27.50	
10	22.50	30.00	
11	25.00	32.50	
12	27.50	35.00	
13	30.00	37.50	
14	32.50	40.00	
15	35.00	42.50	



HDGC 深圳市华德共创科技有限公司
 Shenzhen Huade co-create Technology Co., LTD
 TEL : 0755-27111225 FAX : 0755-29940187

-TOLERANCES- UNLESS OTHERWISE SPECIFIED 公差参数表				TITLE: 产品名称: XA2.5立贴	
X.X	±0.30	X.X°	±3°	APPD: 核准: 谢亮	PART NO: 产品编号: HDGC2523WV-S-XP-F
X.XX	±0.30	X.XX°	±2°	CHECK: 校对: 王建业	DATE
X.XXX	±0.10	X.XXX°	±1°	DRAW: 绘图: 黄艳兰	SCALE
					UNIT
					CODE NUMBER
					1:1
					mm
					A018