

GENERAL DESCRIPTION

The SGM8557-2XMS8G is a dual, low noise, high precision CMOS operational amplifier that provides a high output current of 235mA, rail-to-rail output operation from a range of 2.7V to 5.5V single supply.

The SGM8557-2XMS8G offers low input offset voltage, low input offset voltage drift and high output current drive. The device also can achieve a high 15MHz gain-bandwidth product and a high 7V/ μ s slew rate.

The SGM8557-2XMS8G is specifically designed to drive high current load, such as 32 Ω headset, V_{BIAS} of RF power amplifier, etc.

The SGM8557-2XMS8G is available in a Green MSOP-8 package. It operates over an ambient temperature range of -40°C to +125°C.

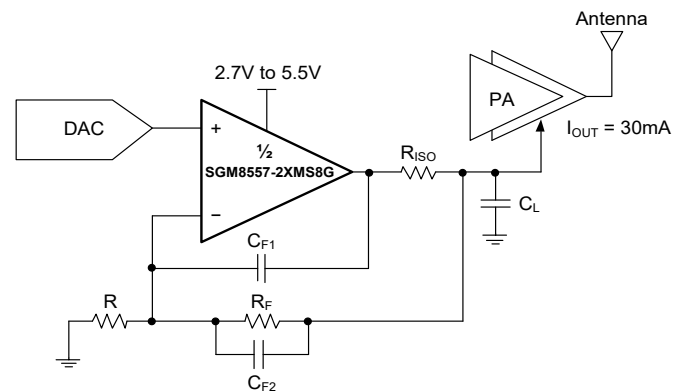
APPLICATIONS

- Battery-Powered Equipment
- Audio System
- Optical Module
- DAC Buffer
- Industrial Equipment

FEATURES

- **Output Drive Capability: 235mA**
- **Low Input Offset Voltage: 5 μ V (MAX)**
- **Low Input Offset Voltage Drift: 20nV/ $^{\circ}$ C (TYP)**
- **Low Noise: 30nV/ $\sqrt{\text{Hz}}$ at 1kHz**
- **Gain-Bandwidth Product: 15MHz**
- **High Slew Rate: 7V/ μ s**
- **High Open-Loop Gain ($R_L = 2k\Omega$): 135dB**
- **Power Supply Rejection Ratio: 121dB**
- **Over-Temperature Protection**
- **No Phase Reversal for Overdriven Inputs**
- **Rail-to-Rail Input and Output**
- **Supply Voltage Range: 2.7V to 5.5V**
- **Quiescent Current: 2.4mA (TYP)**
- **-40°C to +125°C Operating Temperature Range**
- **Available in a Green MSOP-8 Package**

TYPICAL OPERATING CIRCUIT



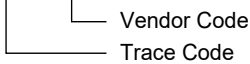
PACKAGE/ORDERING INFORMATION

MODEL	PACKAGE DESCRIPTION	SPECIFIED TEMPERATURE RANGE	ORDERING NUMBER	PACKAGE MARKING	PACKING OPTION
SGM8557-2XMS8G	MSOP-8	-40°C to +125°C	SGM8557-2XMS8G/TR	SGM85572 XMS8 XXXXX	Tape and Reel, 4000

MARKING INFORMATION

NOTE: XXXXX = Trace Code and Vendor Code.

XXXXX



Green (RoHS & HSF): SG Micro Corp defines "Green" to mean Pb-Free (RoHS compatible) and free of halogen substances. If you have additional comments or questions, please contact your SGMICRO representative directly.

ABSOLUTE MAXIMUM RATINGS

- Supply Voltage, +Vs to -Vs.....6V
- All Other Pins..... (-Vs) - 0.3V to (+Vs) + 0.3V
- Package Thermal Resistance
- MSOP-8, θ_{JA} 162°C/W
- Junction Temperature.....+150°C
- Storage Temperature Range.....-65°C to +150°C
- Lead Temperature (Soldering, 10s).....+260°C
- ESD Susceptibility
- HBM..... 7000V
- CDM 1000V

RECOMMENDED OPERATING CONDITIONS

- Operating Temperature Range-40°C to +125°C
- Operating Supply Voltage Range.....2.7V to 5.5V

OVERSTRESS CAUTION

Stresses beyond those listed in Absolute Maximum Ratings may cause permanent damage to the device. Exposure to absolute maximum rating conditions for extended periods may affect reliability. Functional operation of the device at any conditions beyond those indicated in the Recommended Operating Conditions section is not implied.

ESD SENSITIVITY CAUTION

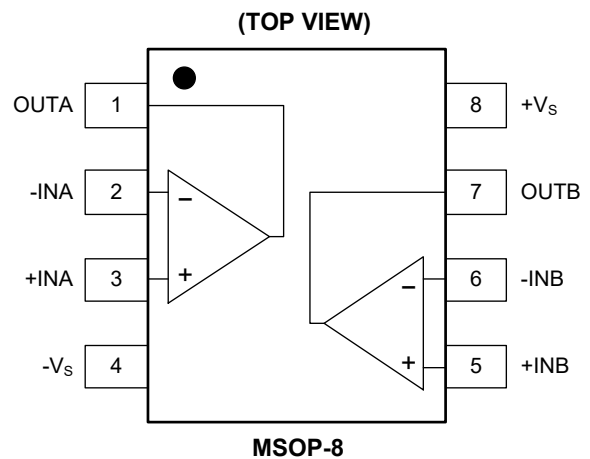
This integrated circuit can be damaged if ESD protections are not considered carefully. SGMICRO recommends that all integrated circuits be handled with appropriate precautions.

Failure to observe proper handling and installation procedures can cause damage. ESD damage can range from subtle performance degradation to complete device failure. Precision integrated circuits may be more susceptible to damage because even small parametric changes could cause the device not to meet the published specifications.

DISCLAIMER

SG Micro Corp reserves the right to make any change in circuit design, or specifications without prior notice.

PIN CONFIGURATION



15MHz, High Output Drive, High Precision, SGM8557-2XMS8G Low Noise Operational Amplifier

ELECTRICAL CHARACTERISTICS

($V_S = 2.7V$ to $5V$, $-V_S = 0V$, $V_{CM} = V_S/2$, $V_{OUT} = V_S/2$, R_L connected to $V_S/2$, Full = $-40^\circ C$ to $+125^\circ C$, typical values are at $T_A = +25^\circ C$, unless otherwise noted.)

PARAMETER	CONDITIONS	TEMP	MIN	TYP	MAX	UNITS	
Input Characteristics							
Input Offset Voltage (V_{OS})	$V_S = 2.7V$	+25°C		2.5	5	μV	
	$V_S = 5V$	+25°C		3	5		
Input Offset Voltage Drift ($\Delta V_{OS}/\Delta T$)	$V_S = 2.7V$	+25°C		25	126	nV/°C	
	$V_S = 5V$	+25°C		20	130		
Input Bias Current (I_B)	$V_S = 5V$	+25°C		320	500	pA	
Input Offset Current (I_{OS})	$V_S = 5V$	+25°C		640	1000	pA	
Input Common Mode Voltage Range (V_{CM})		Full	$(-V_S) - 0.1$		$(+V_S) + 0.1$	V	
Common Mode Rejection Ratio (CMRR)	$(-V_S) - 0.1V < V_{CM} < (+V_S) + 0.1V$	+25°C	106	115		dB	
		Full	102				
Open-Loop Voltage Gain (A_{OL})	$V_S = 2.7V$, $(-V_S) + 0.2V < V_{OUT} < (+V_S) - 0.2V$	$R_L = 2k\Omega$	+25°C	112	130	dB	
			Full	110			
	$R_L = 200\Omega$	+25°C	110	130			
		Full	107				
	$V_S = 5V$, $(-V_S) + 0.2V < V_{OUT} < (+V_S) - 0.2V$	$R_L = 2k\Omega$	+25°C	115	135		
			Full	112			
	$R_L = 200\Omega$	+25°C	110	135			
		Full	108				
Output Characteristics							
Output Voltage Swing from Rail	$V_S = 2.7V$	$R_L = 32\Omega$	+25°C		220	300	mV
			Full			370	
		$R_L = 200\Omega$	+25°C		40	60	
			Full			72	
		$R_L = 2k\Omega$	+25°C		4	10	
			Full			11	
	$I_{OUT} = 10mA$	+25°C		65	95		
		Full			115		
	$V_S = 5V$	$R_L = 32\Omega$	+25°C		360	485	
			Full			580	
		$R_L = 200\Omega$	+25°C		65	95	
			Full			115	
$R_L = 2k\Omega$		+25°C		7	15		
		Full			18		
$I_{OUT} = 10mA$	+25°C		55	82			
	Full			98			
Output Short-Circuit Current (I_{SC})	$V_S = 2.7V$	+25°C	92	120		mA	
		Full	64				
	$V_S = 5V$	+25°C	182	235			
		Full	148				

15MHz, High Output Drive, High Precision, Low Noise Operational Amplifier

SGM8557-2XMS8G

ELECTRICAL CHARACTERISTICS (continued)

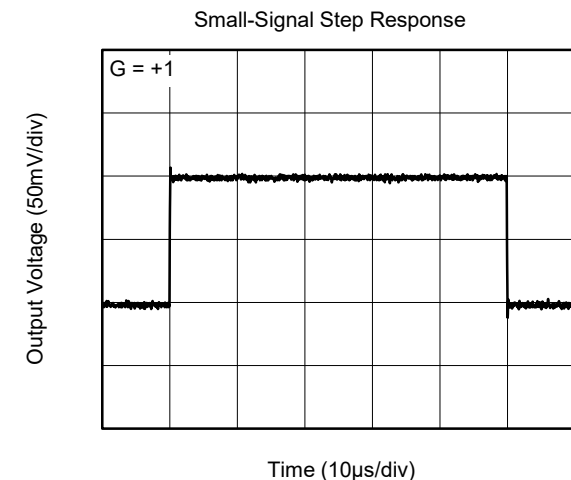
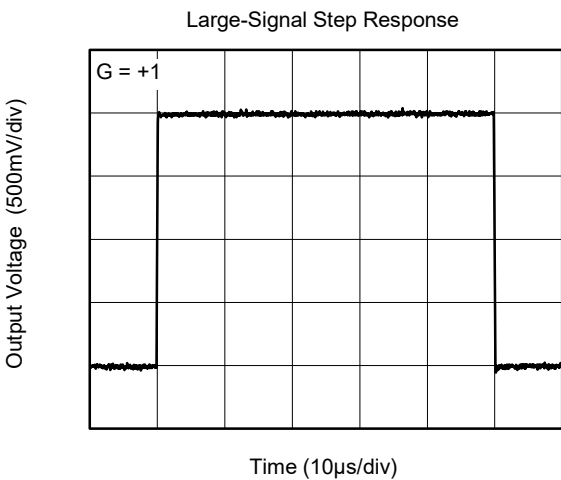
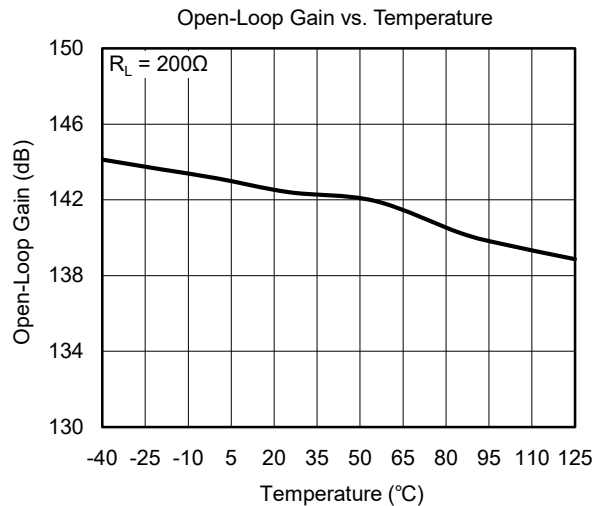
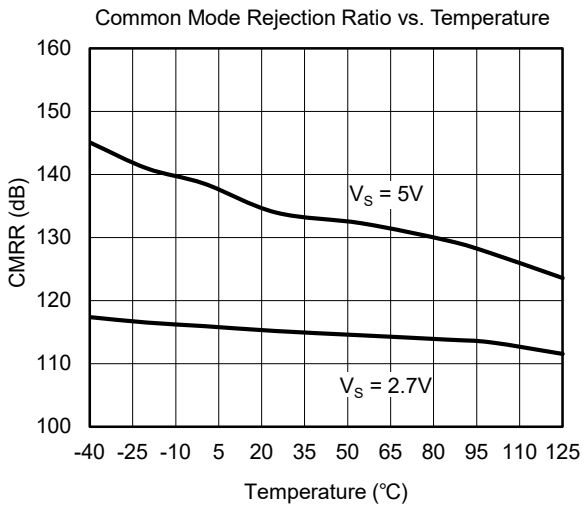
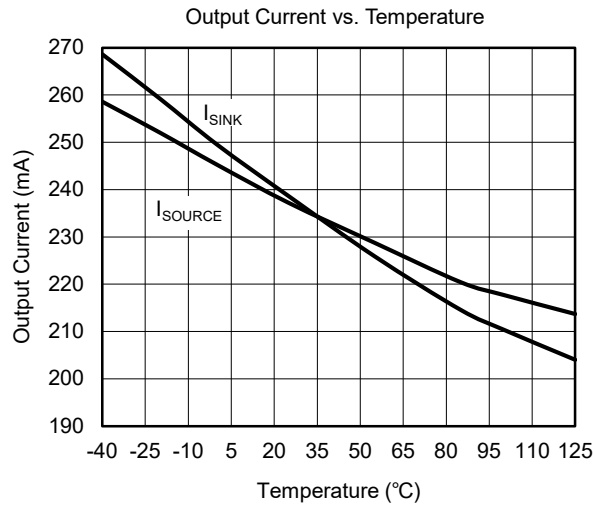
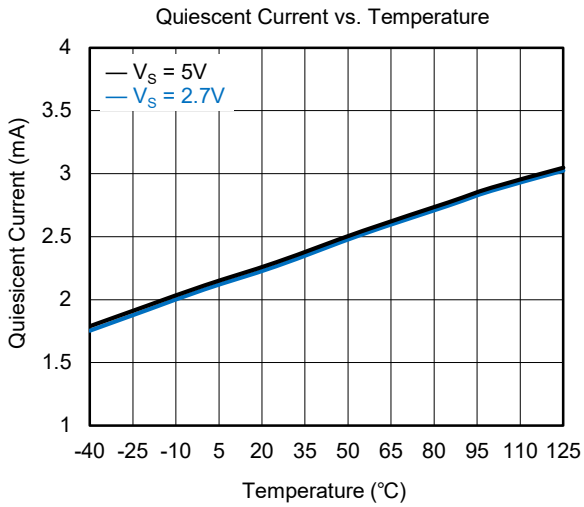
($V_S = 2.7V$ to $5V$, $-V_S = 0V$, $V_{CM} = V_S/2$, $V_{OUT} = V_S/2$, R_L connected to $V_S/2$, Full = $-40^\circ C$ to $+125^\circ C$, typical values are at $T_A = +25^\circ C$, unless otherwise noted.)

PARAMETER	CONDITIONS	TEMP	MIN	TYP	MAX	UNITS
Power Supply						
Specified Voltage Range (V_S)		Full	2.7		5.5	V
Power Supply Rejection Ratio (PSRR)		+25°C	102	121		dB
		Full	94			
Quiescent Current (I_Q)	$I_{OUT} = 0mA$	+25°C		2.4	2.9	mA
		Full			3.7	
Frequency Response						
Gain-Bandwidth Product	$R_L = 10k\Omega$, $C_L = 100pF$	+25°C		15		MHz
Slew Rate	$G = +1$, $V_{OUT} = 2V_{P-P}$	+25°C		7		V/ μs
Total Harmonic Distortion + Noise	$V_S = 5V$, $R_L = 32\Omega$, $f = 10kHz$, $BW = 10Hz$ to $90kHz$, $V_{OUT} = 2V_{P-P}$, $A_{VCL} = 1V/V$	+25°C		0.017		%
Input Capacitance		+25°C		20		pF
Channel-to-Channel Isolation	$f = 1kHz$, $R_L = 100k\Omega$	+25°C		-125		dB
Capacitive-Load Stability	$A_{VCL} = 1V/V$, no sustained oscillations	+25°C		780		pF
Noise						
Input Voltage Noise	$f = 0.1Hz$ to $10Hz$	+25°C		0.5		μV_{P-P}
Input Voltage Noise Density	$f = 1kHz$	+25°C		30		nV/\sqrt{Hz}
	$f = 10kHz$	+25°C		28		

SGM8557-2XMS8G 15MHz, High Output Drive, High Precision, Low Noise Operational Amplifier

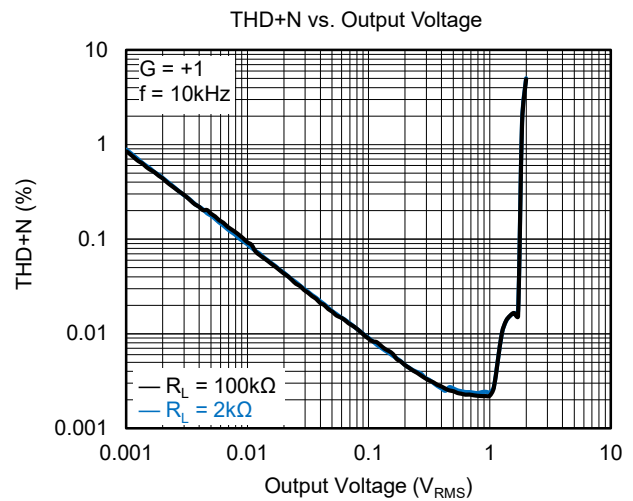
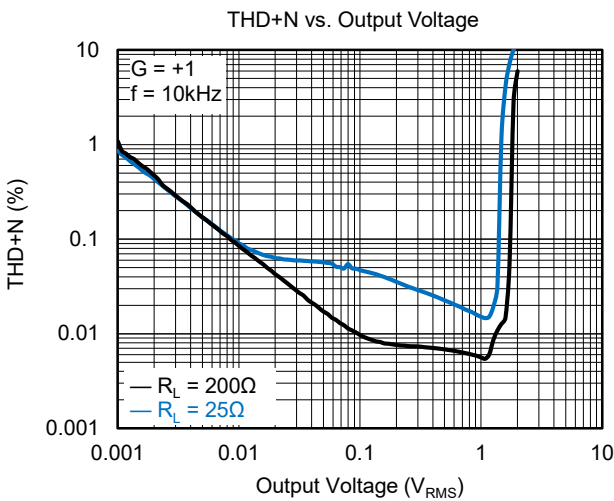
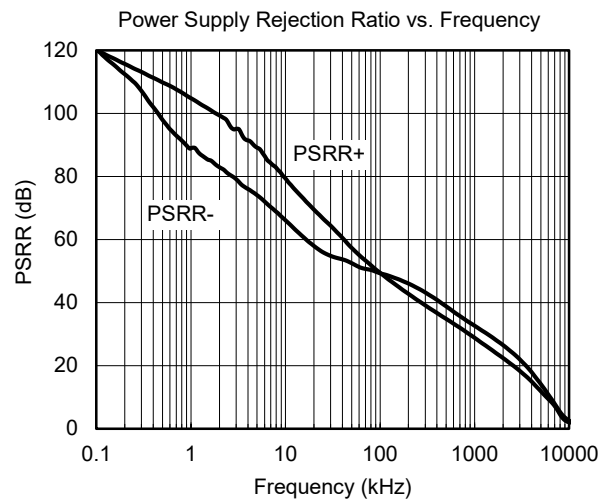
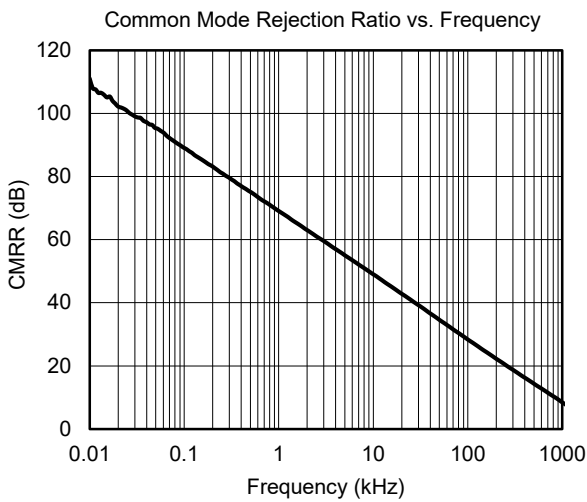
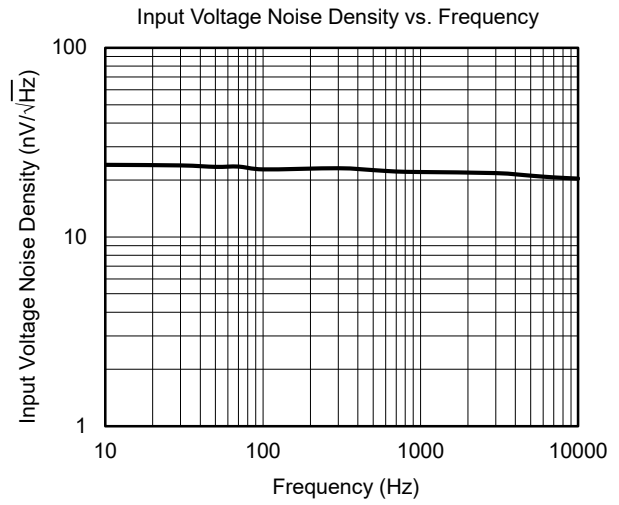
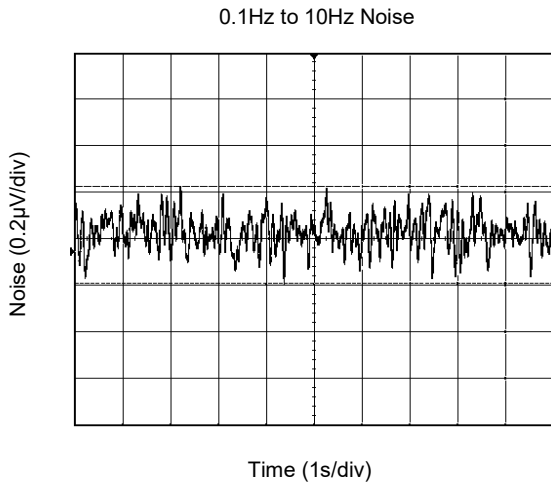
TYPICAL PERFORMANCE CHARACTERISTICS

At $T_A = +25^\circ\text{C}$, $V_S = 5\text{V}$, unless otherwise noted.



TYPICAL PERFORMANCE CHARACTERISTICS (continued)

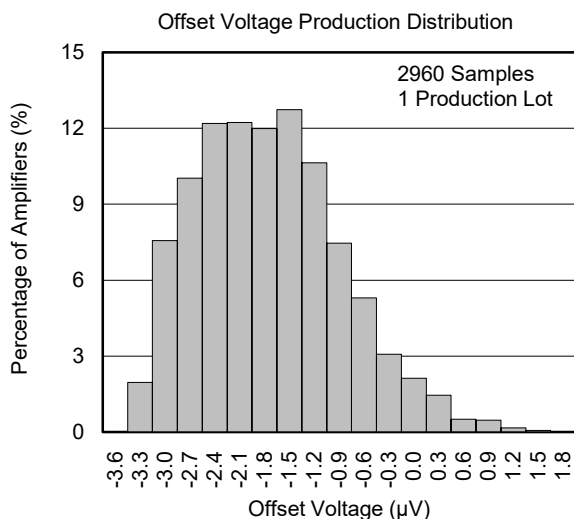
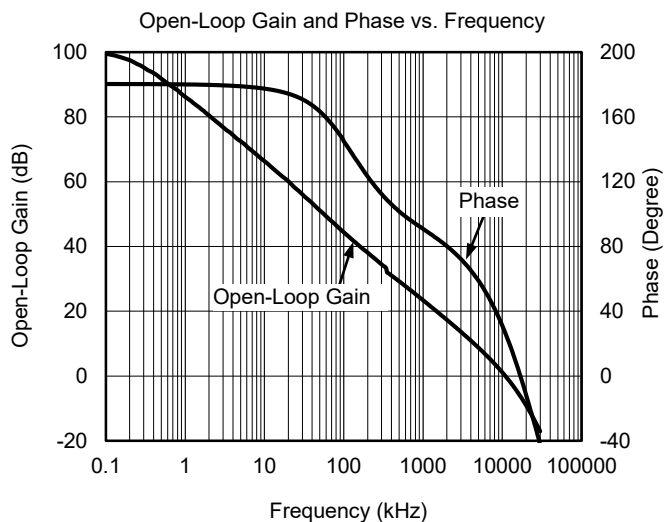
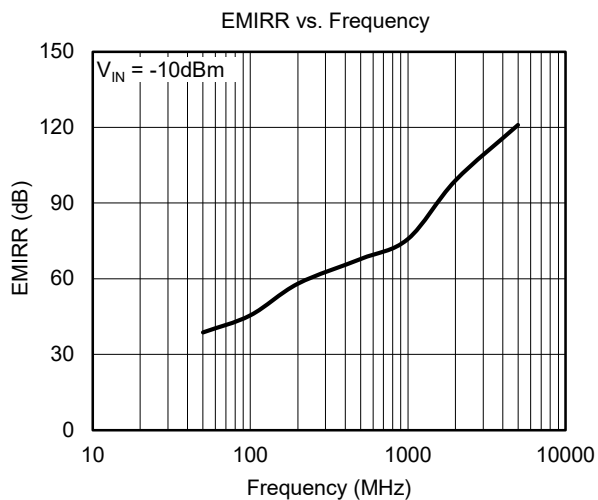
At $T_A = +25^\circ\text{C}$, $V_S = 5\text{V}$, unless otherwise noted.



SGM8557-2XMS8G 15MHz, High Output Drive, High Precision, Low Noise Operational Amplifier

TYPICAL PERFORMANCE CHARACTERISTICS (continued)

At $T_A = +25^\circ\text{C}$, $V_S = 5\text{V}$, unless otherwise noted.



APPLICATION INFORMATION

Single-Supply Stereo Headphone Driver

A single-supply stereo headphone driver is shown in Figure 1 as an example to explain the simplified design procedure.

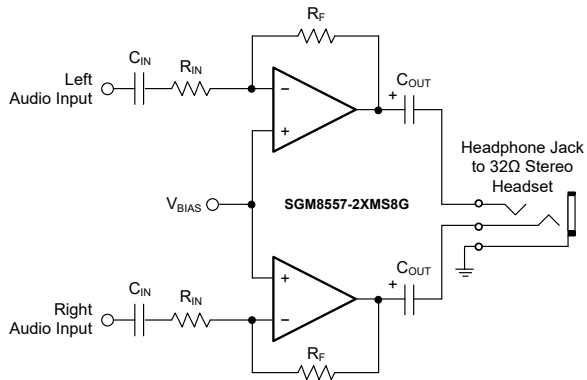


Figure 1. Stereo Headphone Driver

In this circuit, C_{IN} and R_{IN} form a high-pass filter, the DC bias is removed from the incoming signal. The -3dB point of the high-pass filter is using Equation 1:

$$f_{-3dB} = \frac{1}{2\pi R_{IN} C_{IN}} \quad (1)$$

The gain of driver is $-R_F/R_{IN}$. The C_{OUT} and the load impedance form a high-pass filter with the -3dB point determined by Equation 2:

$$f_{-3dB} = \frac{1}{2\pi R_L C_{OUT}} \quad (2)$$

Bridge Amplifier

A bridge amplifier circuit which can provide 200mW at 3V is shown in Figure 2. Due to differential output, this structure eliminates the large coupling capacitors in Figure 1. The voltage gain is 10V/V and the gain can be changed by changing R_2 .

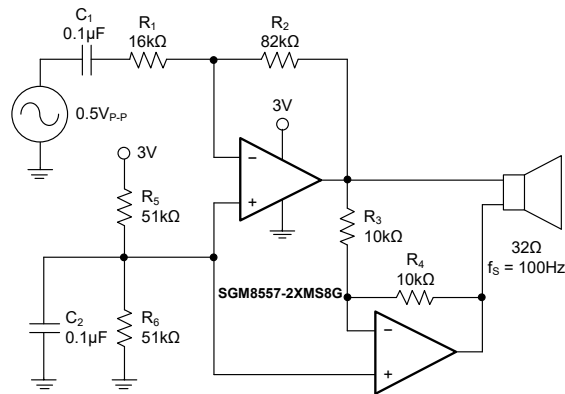


Figure 2. 200mW Bridge Amplifier at 3V

SGM8557-2XMS8G

APPLICATIONS INFORMATION (continued)

Cancel Input Capacitance

The C_{IN} (20pF TYP) at inverting input pin will generate a pole at frequency $(2\pi R'C_{IN})^{-1}$, where R' is the parallel combination of the gain-setting resistor for the inverting or non-inverting amplifier in Figure 3. If the pole-frequency is less than or comparable to the unity-gain bandwidth (15MHz), the phase margin will be reduced, ringing in the step response or sustained oscillation will be generated. To cancel this pole, C_F is used to compensate C_{IN} in Figure 3. Equation 3 gives the C_F feedback capacitance.

$$C_F = 8 \times (R/R_F) \text{ pF} \quad (3)$$

where:

R_F is the feedback resistor.

R is the gain-setting resistor.

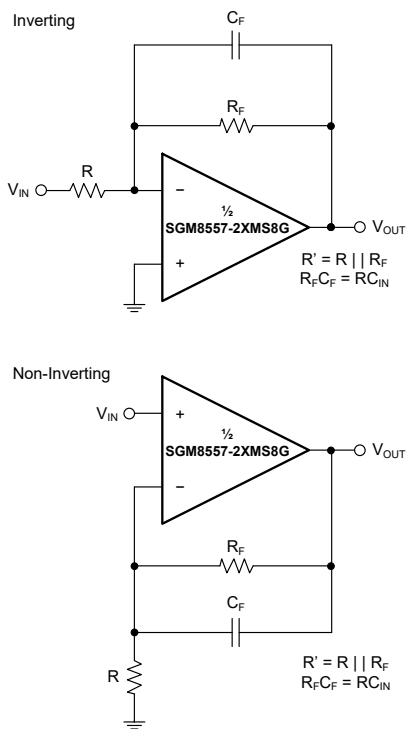


Figure 3. Inverting and Non-Inverting Amplifiers with C_F to Compensate C_{IN}

Input Current-Limit Protection

For ESD diode clamping protection, when the current flowing through ESD diode exceeds the maximum rating value, the ESD diode and amplifier will be damaged, so current-limit protection will be added in some applications. One resistor is selected to limit the current not to exceed the maximum rating value. In Figure 4, a series input resistor is used to limit the input current to less than 10mA, but the drawback of this current-limit resistor is to contribute thermal noise at the amplifier input. If this resistor must be added, its value must be selected as small as possible.

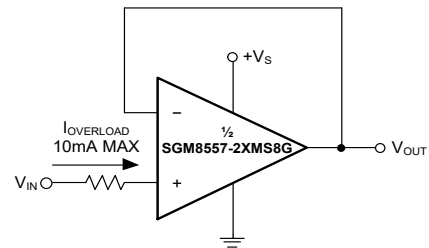


Figure 4. Input Current-Limit Protection

Rail-to-Rail Output

The SGM8557-2XMS8G supports rail-to-rail output operation. In single power supply application, for example, when $+V_S = 5V$, $-V_S = GND$, 2k Ω load resistor is tied from OUT pin to $V_S/2$, the typical output swing range is from 0.007V to 4.993V.

APPLICATIONS INFORMATION (continued)

Driving Capacitive Loads

The SGM8557-2XMS8G is designed for unity-gain stable for capacitive load up to 780pF. In Figure 5, it shows the transient response with capacitive load (C_L). If greater capacitive load must be driven in application, the circuit in Figure 6 can be used. In this circuit, the IR drop voltage generated by R_{ISO} is compensated by feedback loop.

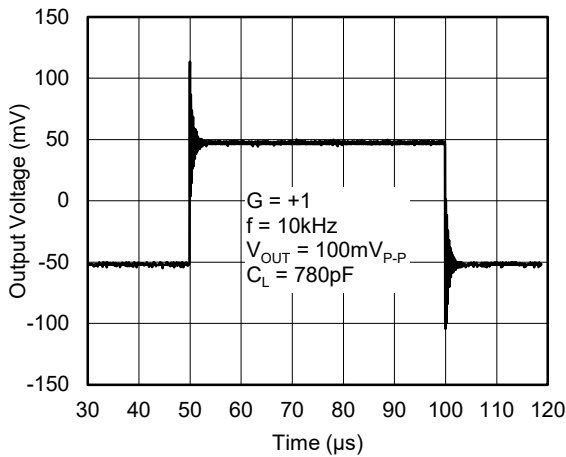


Figure 5. Small-Signal Transient Response (Capacitive Load)

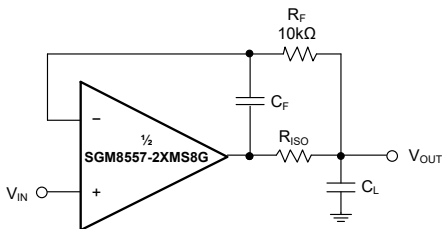


Figure 6. Circuit to Drive Capacitive Load

Power Supply Decoupling and Layout

A clean and low noise power supply is very important in amplifier circuit design, besides of input signal noise, the power supply is one of important source of noise to the amplifiers through $+V_S$ and $-V_S$ pins. Power supply bypassing is an effective method to clear up the noise at power supply, and the low impedance path to ground of decoupling capacitor will bypass the noise to GND. In application, $10\mu F$ ceramic capacitor paralleled with $0.1\mu F$ or $0.01\mu F$ ceramic capacitor is used in Figure 7. The ceramic capacitors should be placed as close as possible to $+V_S$ and $-V_S$ power supply pins.

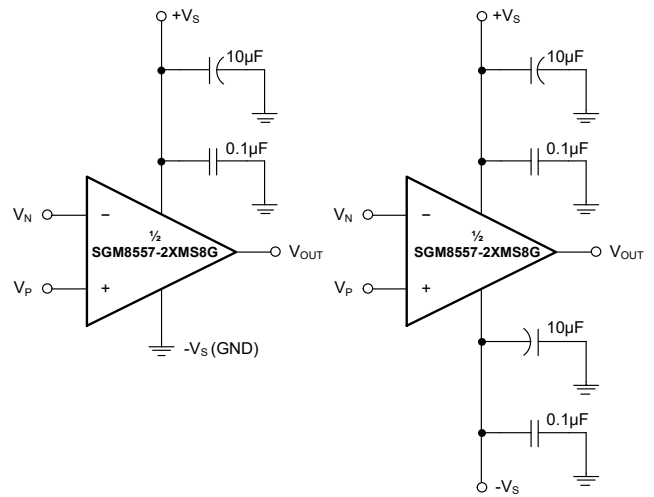


Figure 7. Amplifier Power Supply Bypassing

REVISION HISTORY

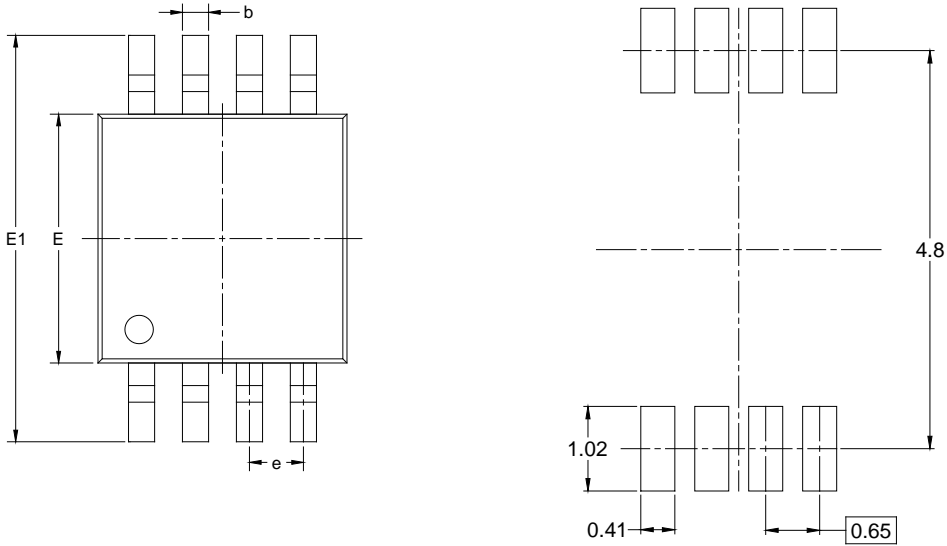
NOTE: Page numbers for previous revisions may differ from page numbers in the current version.

OCTOBER 2021 – REV.A to REV.A.1	Page
Updated Marking Information section.....	2

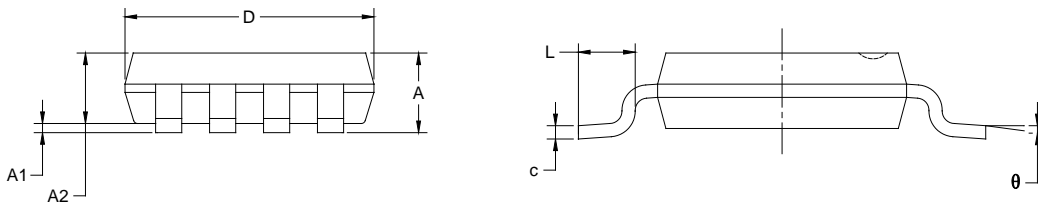
Changes from Original (SEPTEMBER 2021) to REV.A	Page
Changed from product preview to production data.....	All

PACKAGE OUTLINE DIMENSIONS

MSOP-8



RECOMMENDED LAND PATTERN (Unit: mm)



Symbol	Dimensions In Millimeters		Dimensions In Inches	
	MIN	MAX	MIN	MAX
A	0.820	1.100	0.032	0.043
A1	0.020	0.150	0.001	0.006
A2	0.750	0.950	0.030	0.037
b	0.250	0.380	0.010	0.015
c	0.090	0.230	0.004	0.009
D	2.900	3.100	0.114	0.122
E	2.900	3.100	0.114	0.122
E1	4.750	5.050	0.187	0.199
e	0.650 BSC		0.026 BSC	
L	0.400	0.800	0.016	0.031
θ	0°	6°	0°	6°

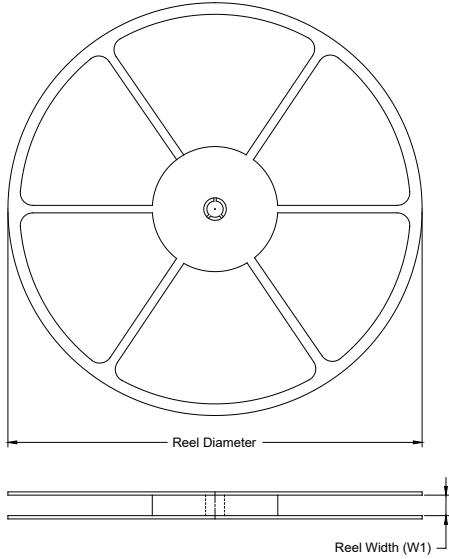
NOTES:

1. Body dimensions do not include mode flash or protrusion.
2. This drawing is subject to change without notice.

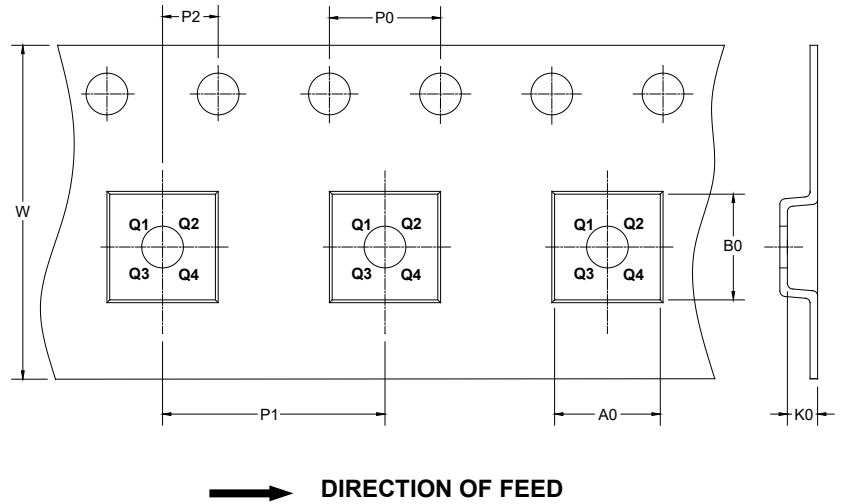
PACKAGE INFORMATION

TAPE AND REEL INFORMATION

REEL DIMENSIONS



TAPE DIMENSIONS



NOTE: The picture is only for reference. Please make the object as the standard.

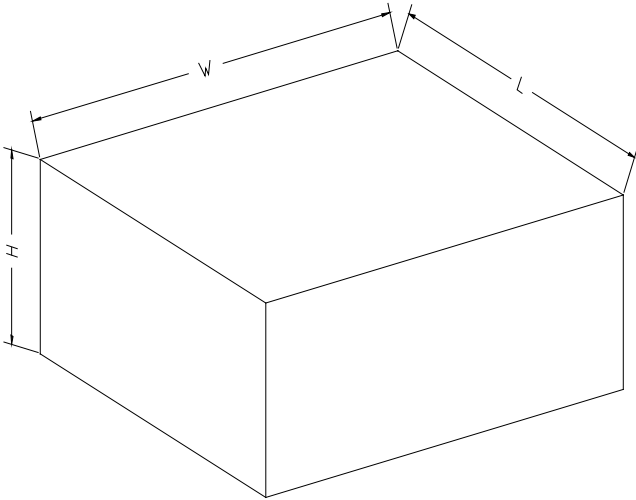
KEY PARAMETER LIST OF TAPE AND REEL

Package Type	Reel Diameter	Reel Width W1 (mm)	A0 (mm)	B0 (mm)	K0 (mm)	P0 (mm)	P1 (mm)	P2 (mm)	W (mm)	Pin1 Quadrant
MSOP-8	13"	12.4	5.20	3.30	1.50	4.0	8.0	2.0	12.0	Q1

000001

PACKAGE INFORMATION

CARTON BOX DIMENSIONS



NOTE: The picture is only for reference. Please make the object as the standard.

KEY PARAMETER LIST OF CARTON BOX

Reel Type	Length (mm)	Width (mm)	Height (mm)	Pizza/Carton
13"	386	280	370	5

DD0002