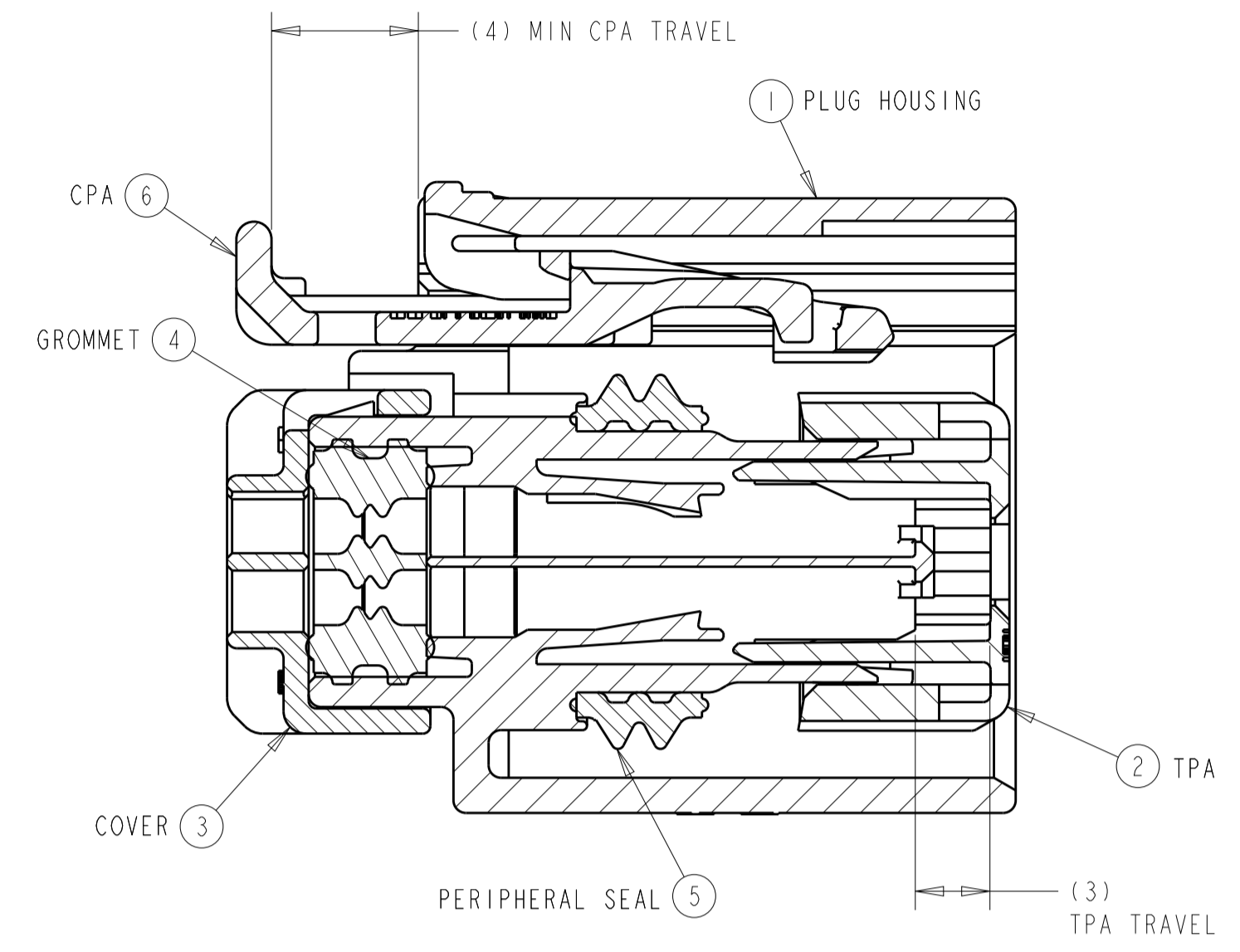
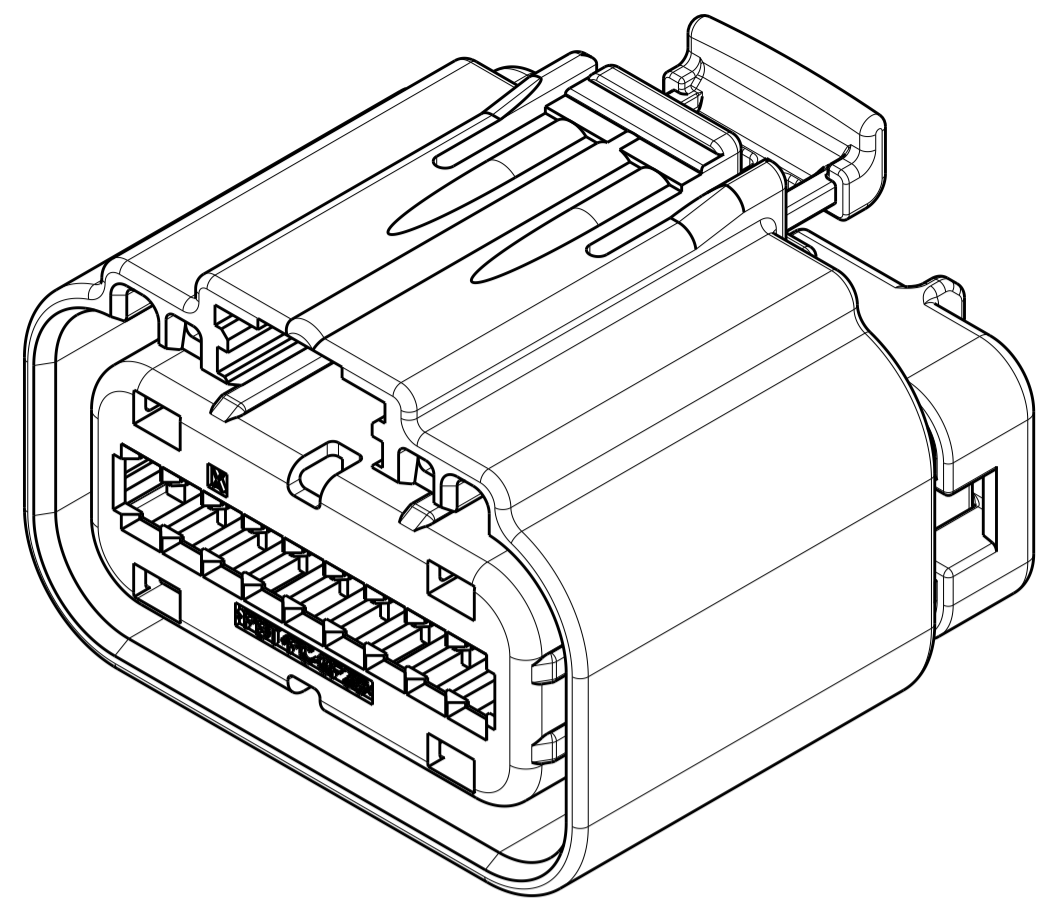
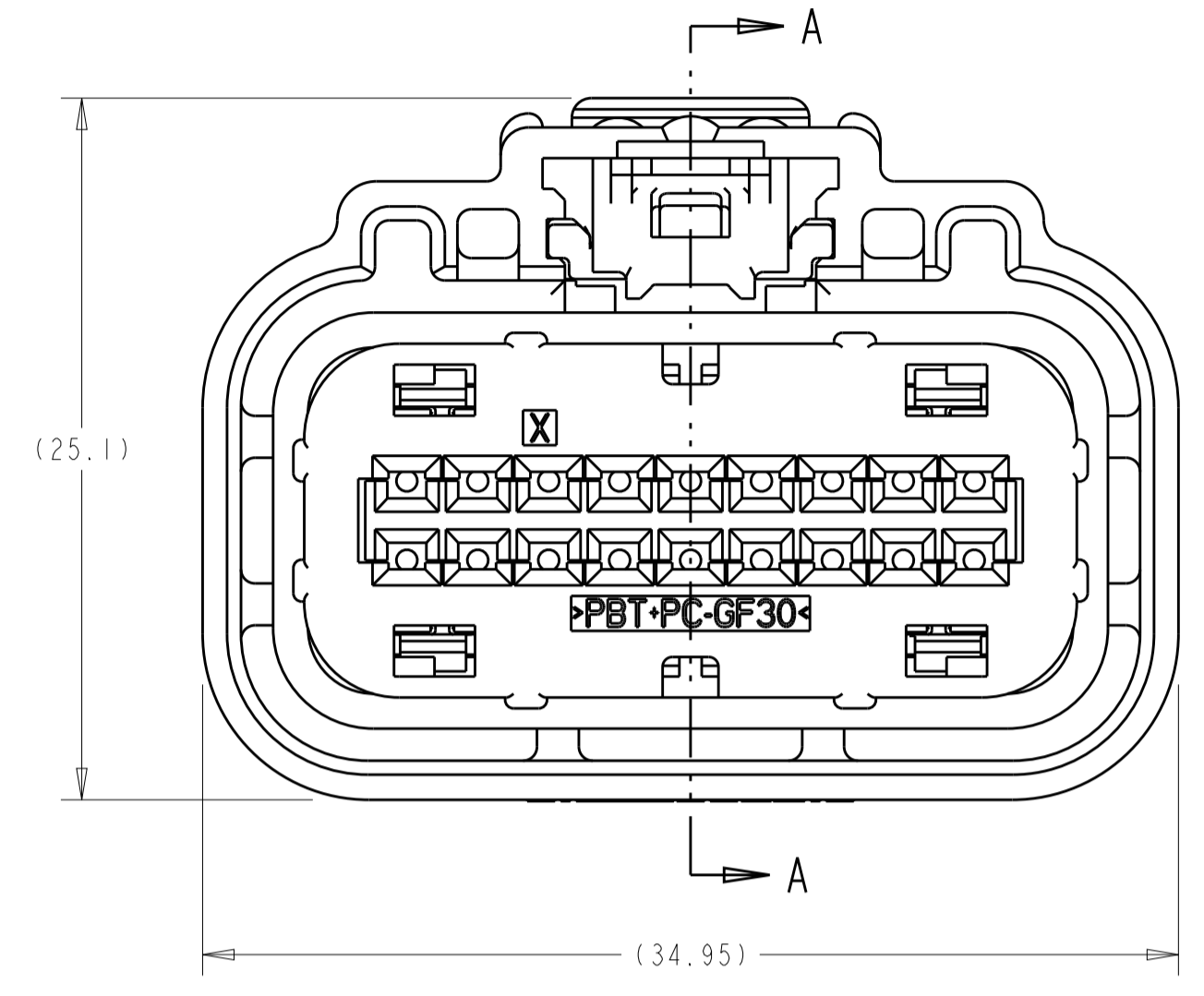


REVISIONS				
P.	LTN	DESCRIPTION	DATE	OWN APVD
A7		REVISED PER ECO-15-018007	11JAN2016	DLD DCM

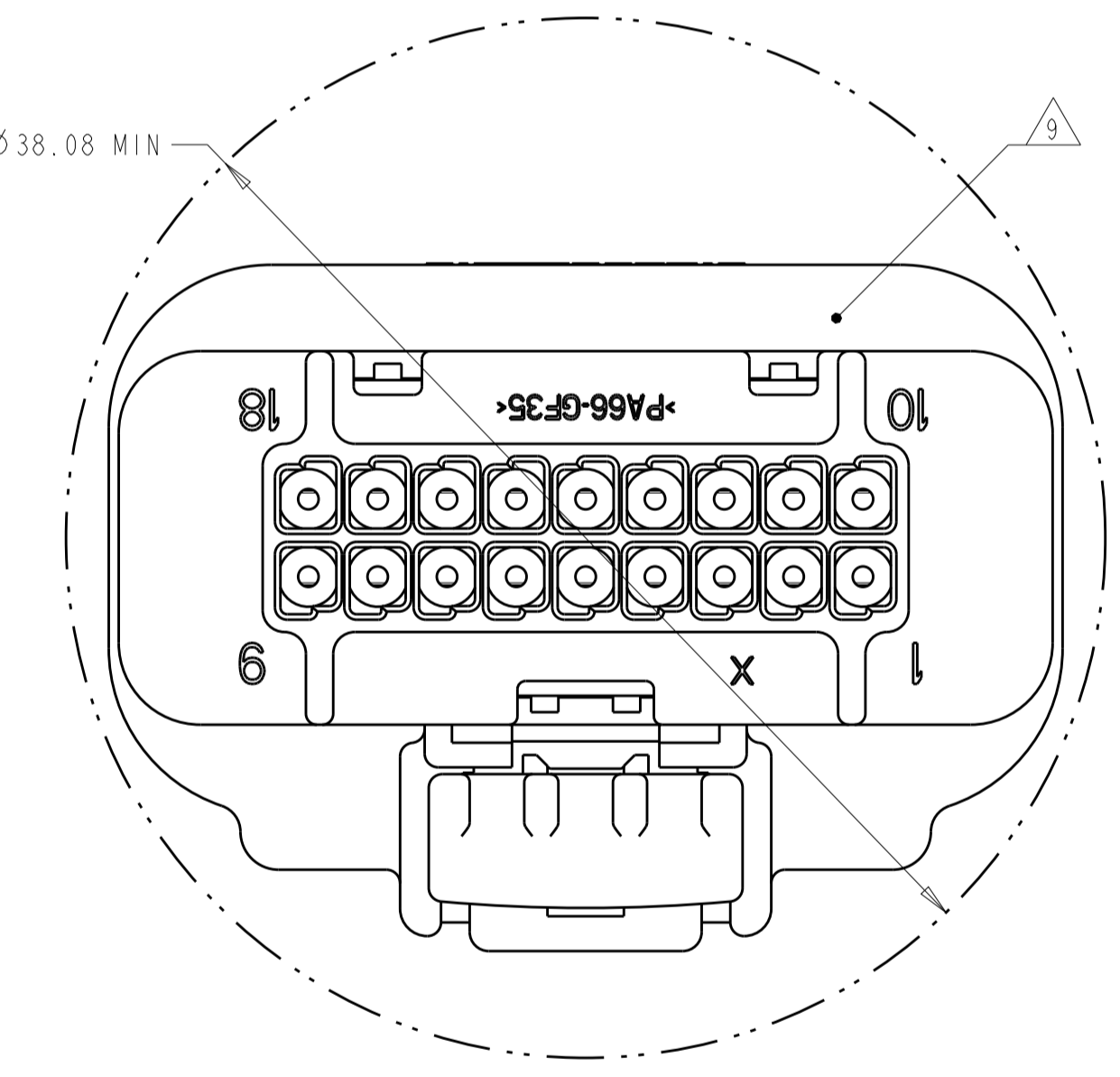
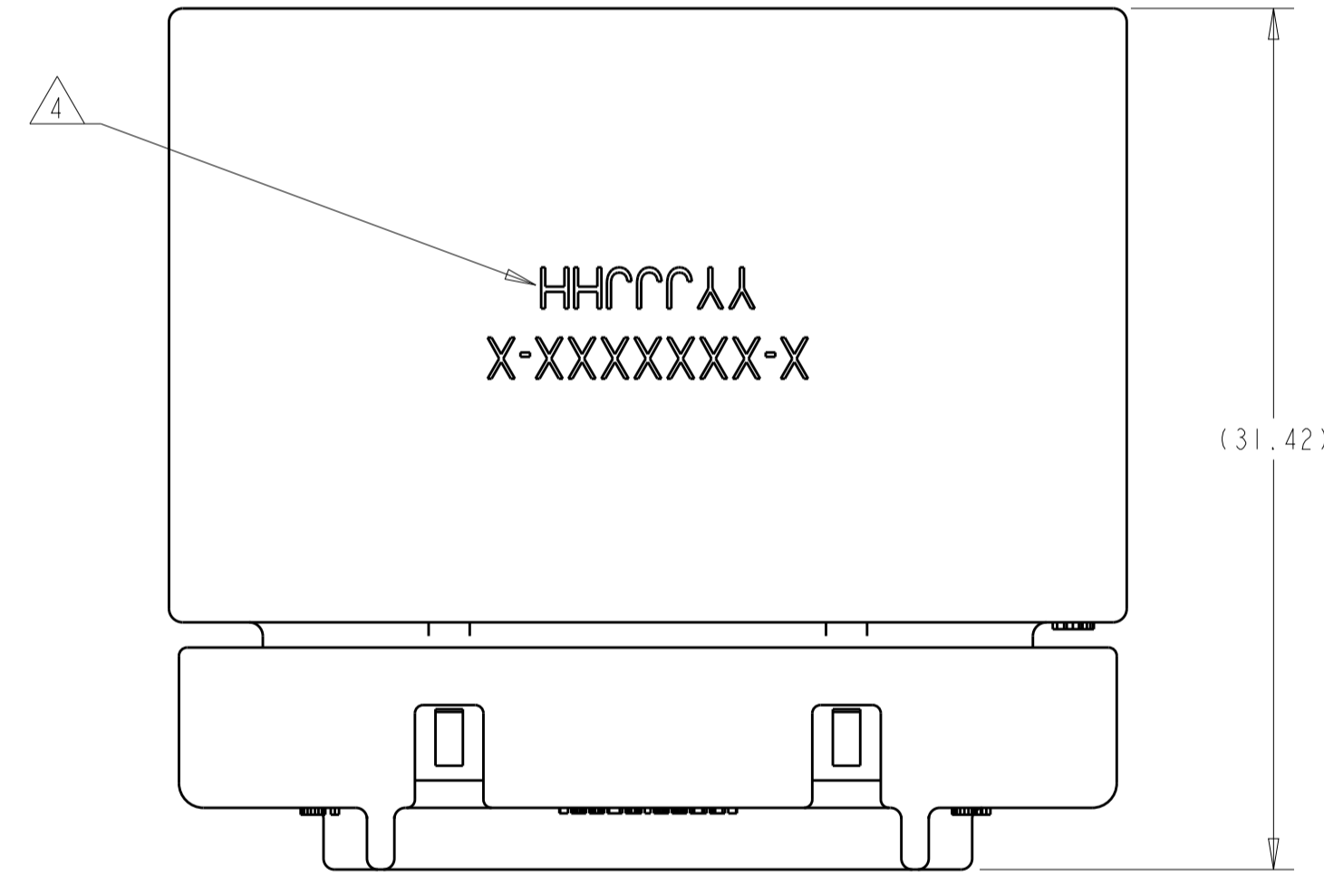


SECTION A-A
 SHOWN WITH TPA
 IN PRE-LOADED POSITION
 (DELIVERY CONDITION)

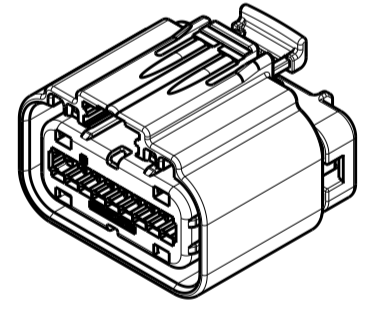


SCALE 3:1

1. APPLICABLE TERMINAL PART NUMBERS (SOLD SEPARATELY):
 FOR TIN AND SILVER APPLICATIONS: 1393367 AND 1393366.
 FOR GOLD APPLICATIONS: 1393365 AND 1393364.
 FOR TERMINATION AND REELING OPTIONS
 SEE DRAWINGS 1393367, 1393366, 1393365, AND 1393364.
2. COMPATIBLE WIRE SIZES FOR MAT SEAL DESIGN 1.19 TO 2.06 O.D.
 (22-18 AWG, 0.35-0.75 mm²).
3. TPA IS SHIPPED IN PRE-LOADED POSITION. SOME TPA'S MAY BECOME FULLY SEATED DURING SHIPPING. USE TE INSTRUCTION SHEET 408-10128 TO REPOSITION TPA TO IT'S PRE-LOADED POSITION.
4. TE ASSEMBLY PART NUMBER (X-XXXXXXX-X) AND TRACEABILITY CODE (YY = TWO DIGIT YEAR, JJJ = JULIAN DAY, HH = TWO DIGIT MILITARY HOUR) ARE PRINTED IN THIS LOCATION.
5. APPLICABLE HEADER INTERFACE DRAWING 1488536 IS AVAILABLE UPON REQUEST. A COPY OF THIS DRAWING CAN BE OBTAINED FROM THE TE PRODUCT MANAGER, VIA YOUR TE SALES REPRESENTATIVE OR CUSTOMER SERVICE.
6. ASSEMBLIES ARE BULK PACKAGED.
7. OPTIONAL CPA IS SHIPPED IN IT'S PRE-LOADED POSITION.
8. PART NOT RELEASED TO PRODUCTION.
9. COMPANY LOGO AND MOLD CAVITY ID LOCATED ON THIS SURFACE.

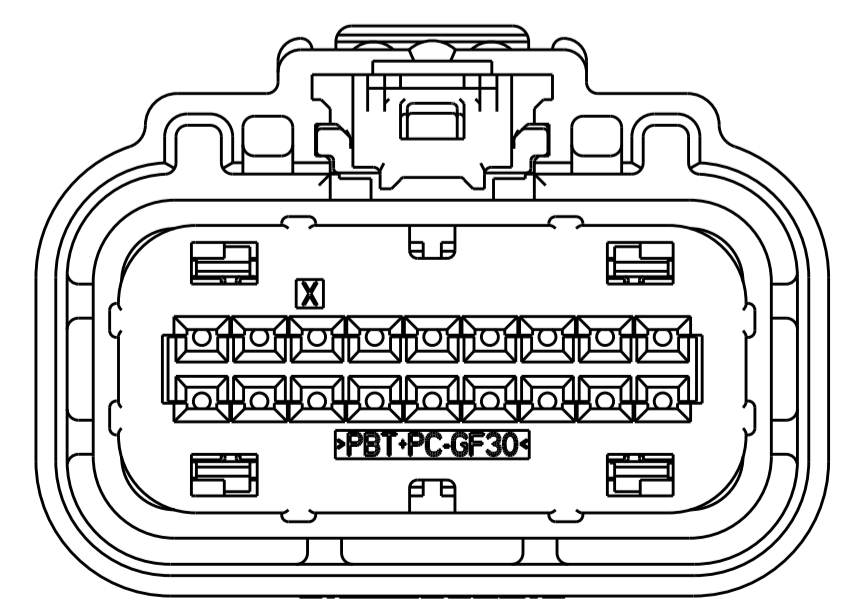


MINIMUM FEED THROUGH CONDITION
 WITH 1mm CLEARANCE ALL AROUND

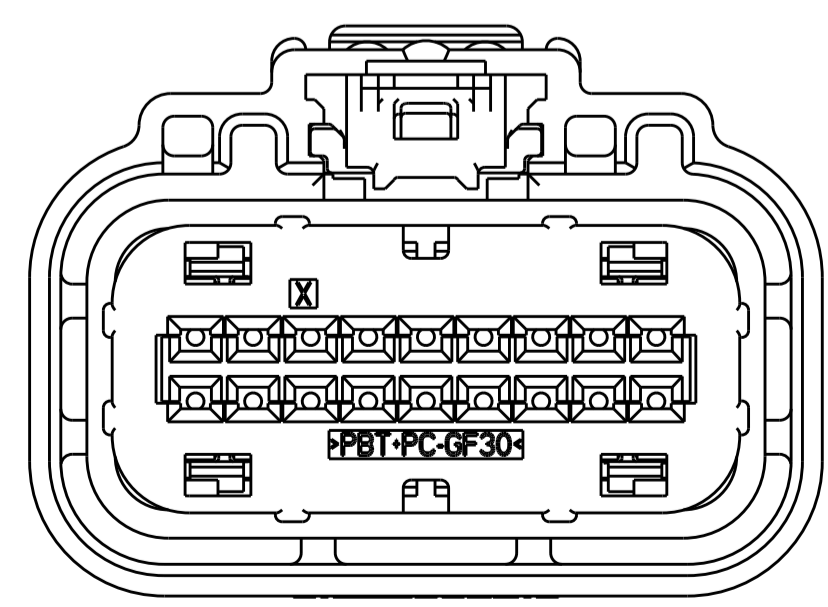


SCALE 1:1

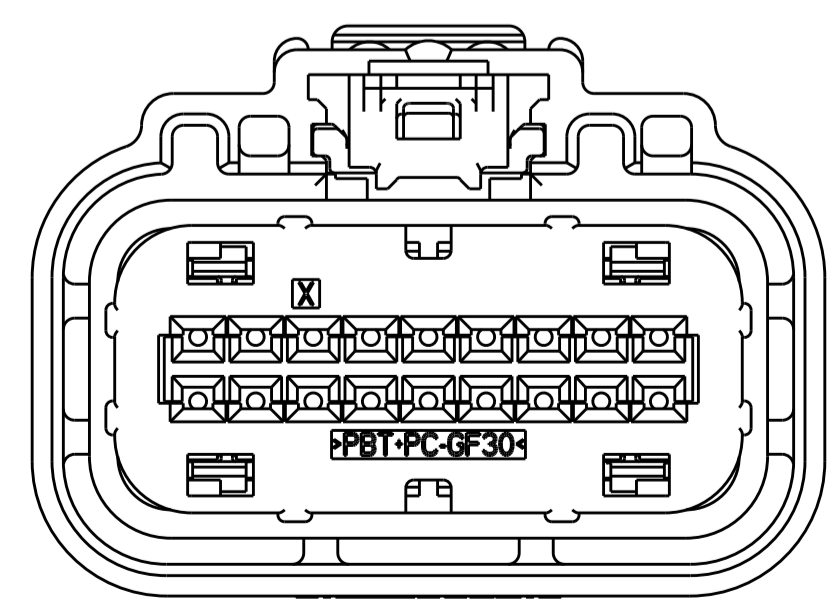
KEYING OPTION "A" SHOWN
 SEE NOTE 5 FOR APPLICABLE
 HEADER INTERFACE INFORMATION



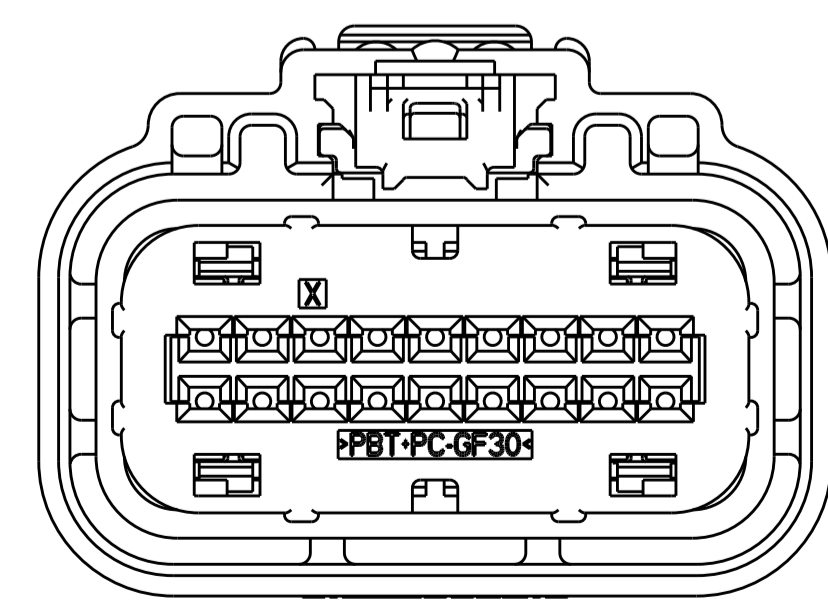
KEYING OPTION "A"
 HOUSING COLOR: BLACK
 SCALE 3:1



KEYING OPTION "B"
 HOUSING COLOR: GRAY
 SCALE 3:1



KEYING OPTION "C"
 HOUSING COLOR: BROWN
 SCALE 3:1



KEYING OPTION "D"
 HOUSING COLOR: GREEN
 SCALE 3:1

SEE SHEET 2 FOR BILL OF MATERIALS
 AND PINOUT CHART

THIS DRAWING IS A CONTROLLED DOCUMENT.		OWN: D. DRUMMOND 25FEB2013	TE Connectivity
DIMENSIONS: mm		CHK: C. MARTIN 25FEB2013	
TOLERANCES UNLESS OTHERWISE SPECIFIED:		APVD: C. MARTIN 25FEB2013	NAME: 2 X 9 SEALED FEMALE PLUG ASSEMBLY
0 PLC ± 1 PLC ±0.3 2 PLC ±0.10 3 PLC ± 4 PLC ± ANGLES ± FINISH ±		PRODUCT SPEC: 108-2282	SIZE: A1
MATERIAL: SEE TABLE		APPLICATION SPEC: 114-13150	CAGE CODE: 00779
		WEIGHT: -	©=2203663
		CUSTOMER DRAWING	SCALE: 3:1 SHEET 1 OF 2 REV: A7

