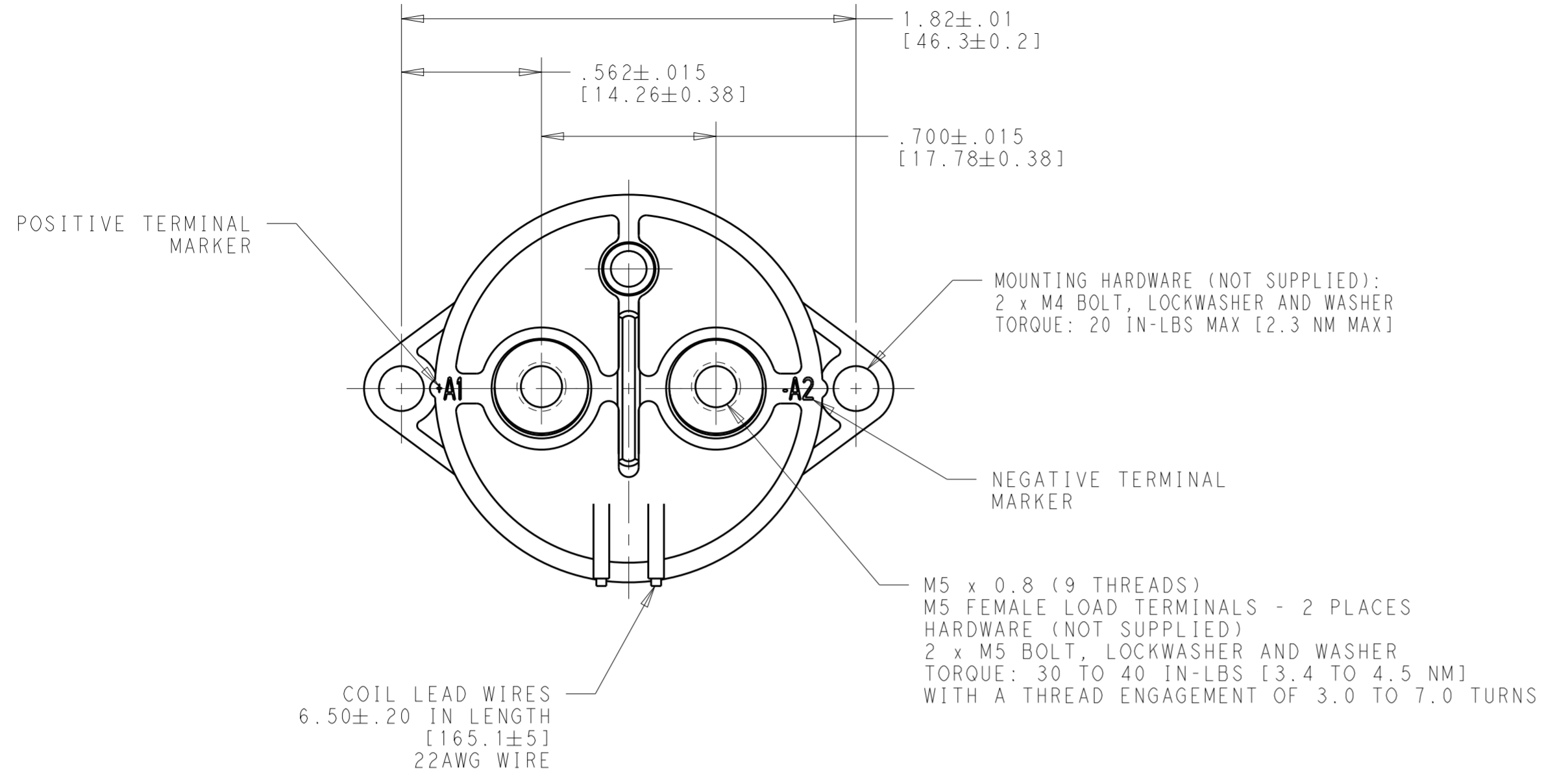
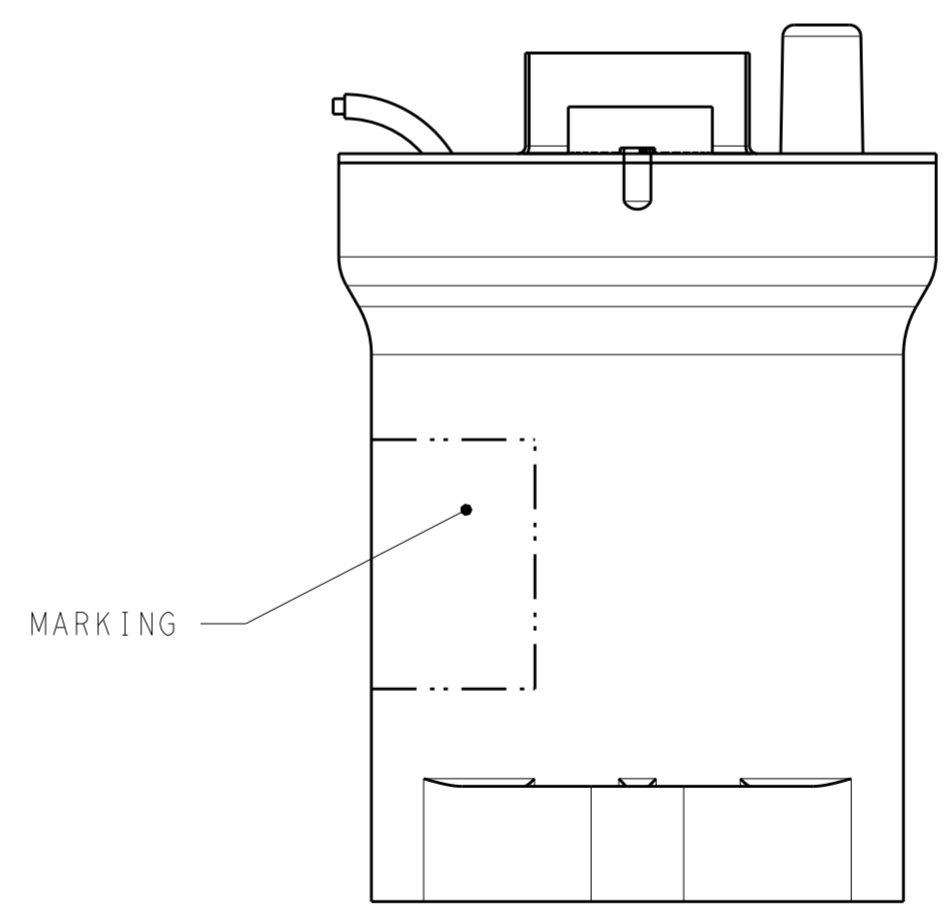
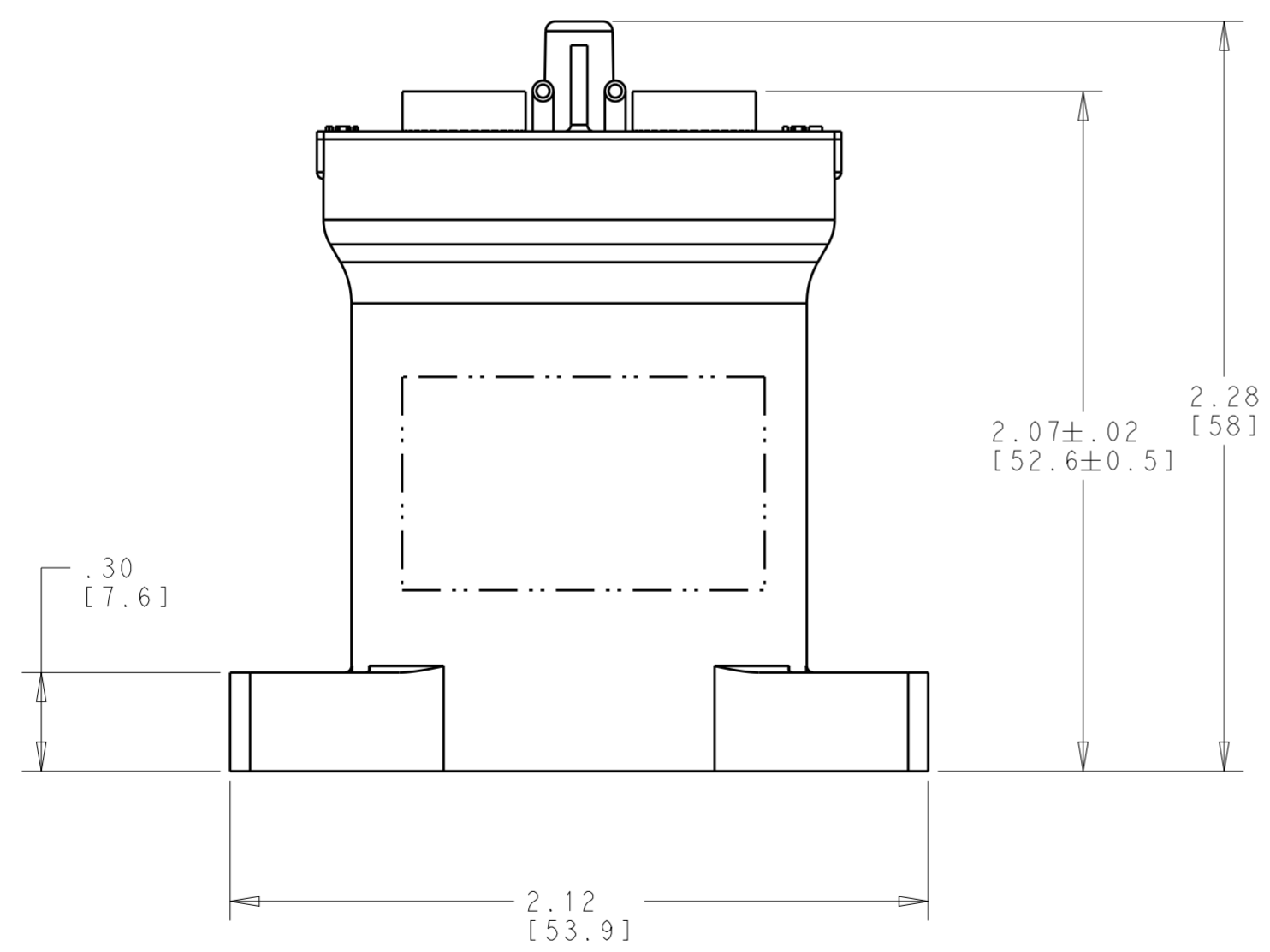


THIS DRAWING IS UNPUBLISHED. RELEASED FOR PUBLICATION 20
 © COPYRIGHT 20 BY - ALL RIGHTS RESERVED.

REVISIONS				
P	LTR	DESCRIPTION	DATE	APVD
1		INITIAL RELEASE	09APR2015	RGV TB



- 8.4mm² conductor. Current rating depends upon conductor size. Keep terminals below 150°C maximum continuous.
- 3 minutes @ +40°C ambient with 8.4mm² (#8AWG) conductor.
- A coil economizer circuit is needed if coil is energized for an extended length of time at a high operating temperature (i.e. 85°C).



2138602-1
 PART NUMBER

THIS DRAWING IS A CONTROLLED DOCUMENT.		DWN R VESTAL 09APR2015	TE Connectivity		
DIMENSIONS: INCHES [mm]		CHK T BANAS 09APR2015			
TOLERANCES UNLESS OTHERWISE SPECIFIED: 0 PLC ±- 1 PLC ±.012[0.3] 2 PLC ±.005[0.13] 3 PLC ±- 4 PLC ±- ANGLES ±1 FINISH -		APVD T BANAS 09APR2015	NAME EVC135 RELAY, WITH 24VDC COIL		
MATERIAL -		PRODUCT SPEC -	SIZE A2	CAGE CODE -	DRAWING NO C-2138602
		APPLICATION SPEC -	RESTRICTED TO -		
		WEIGHT -	SCALE 2:1 SHEET 1 OF 1 REV A		
		Customer Drawing			