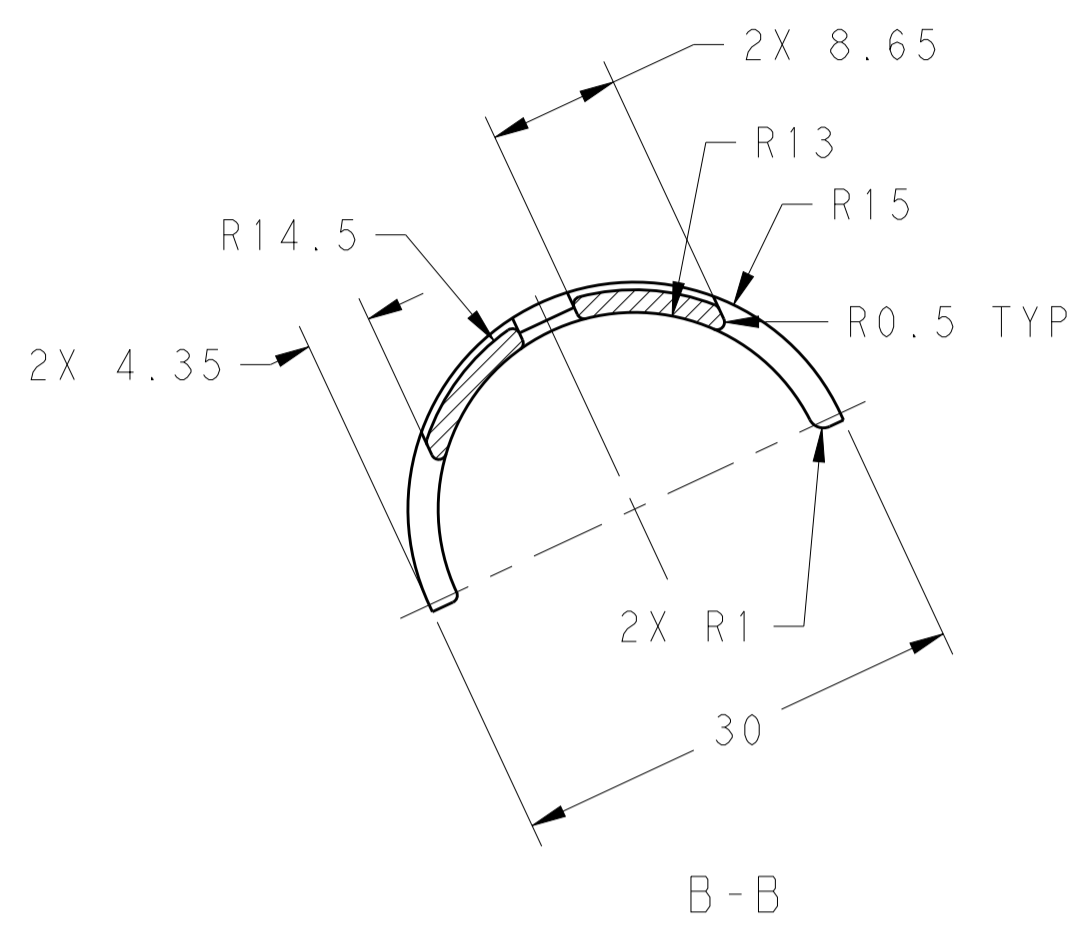
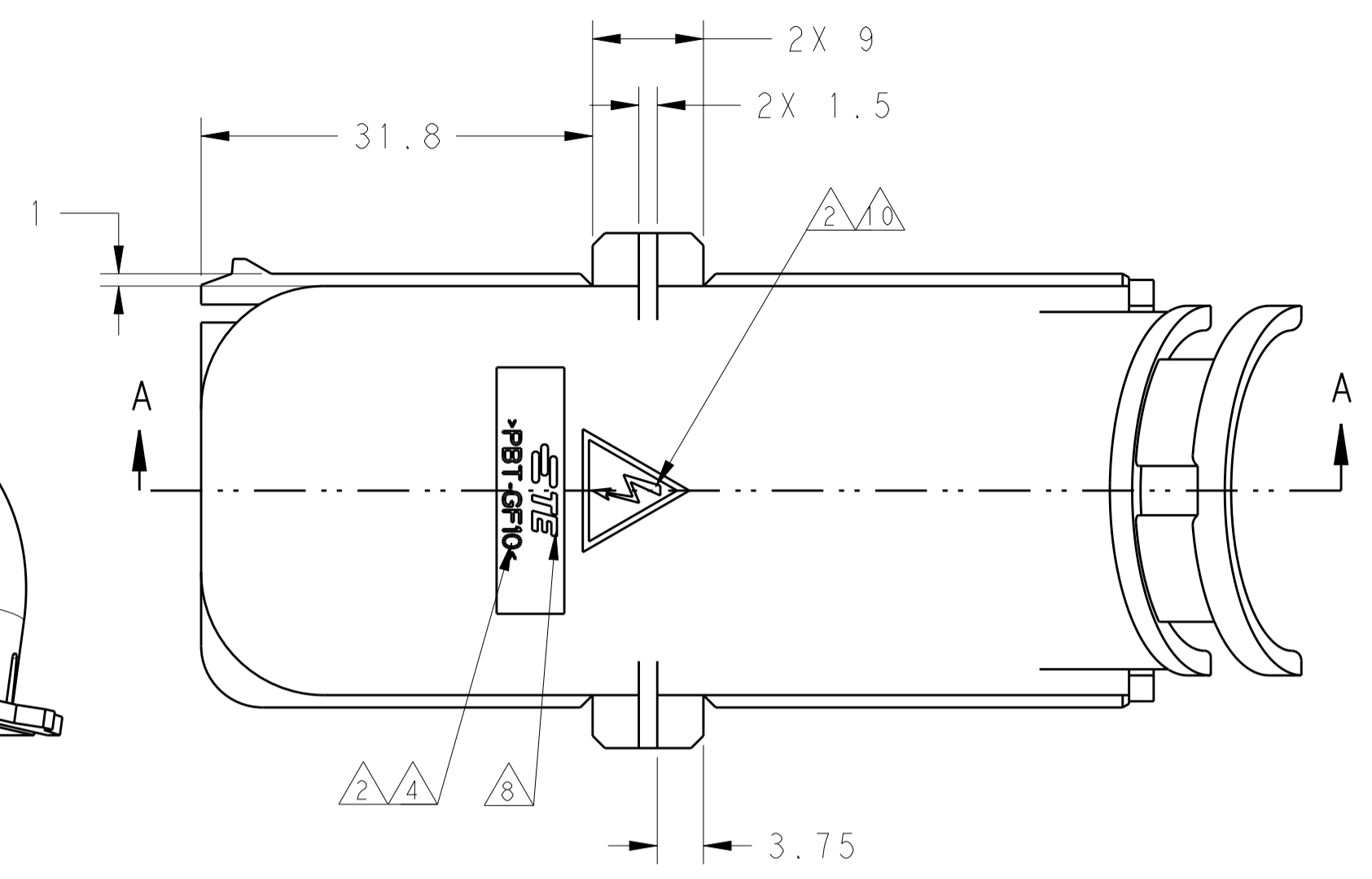
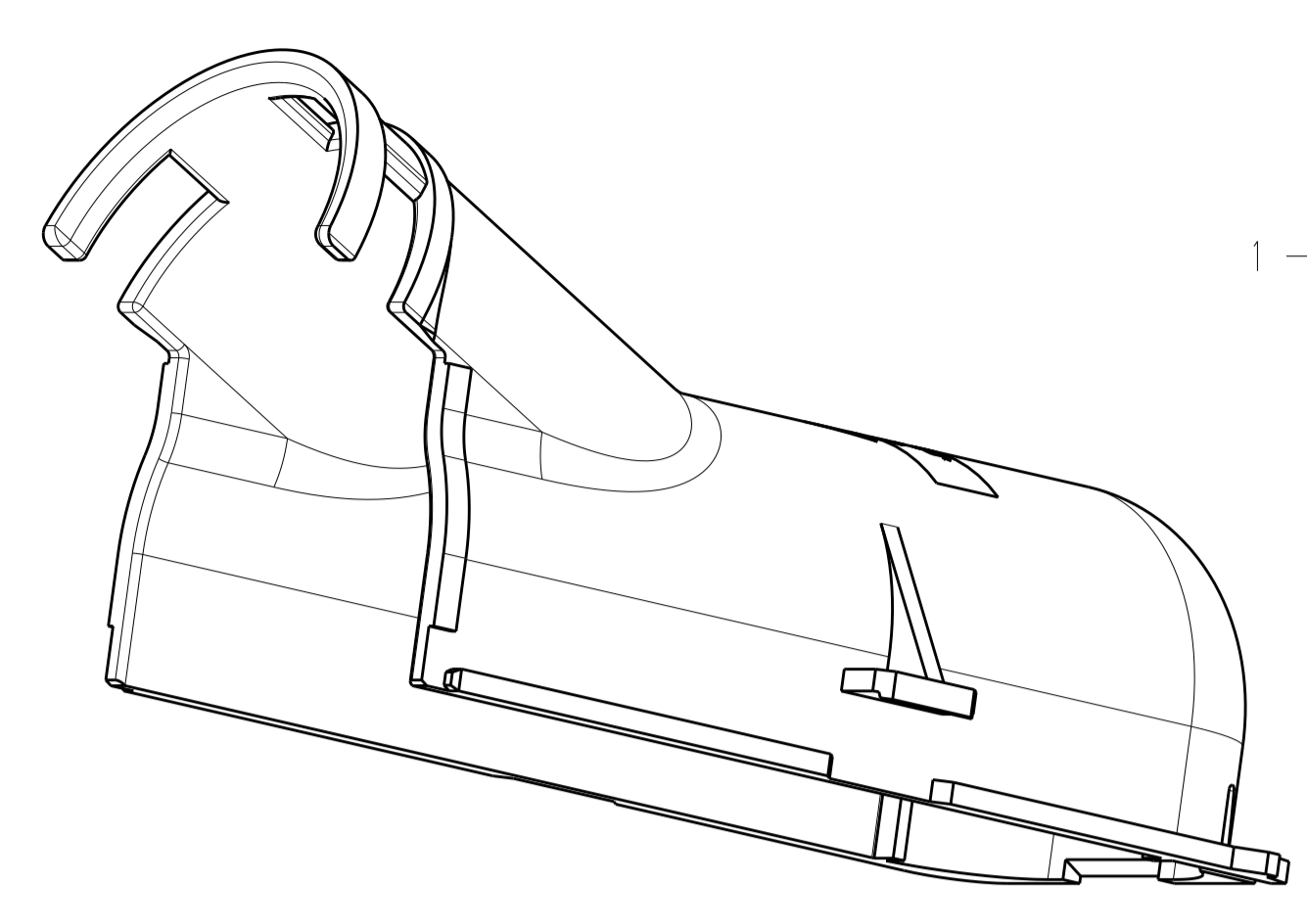
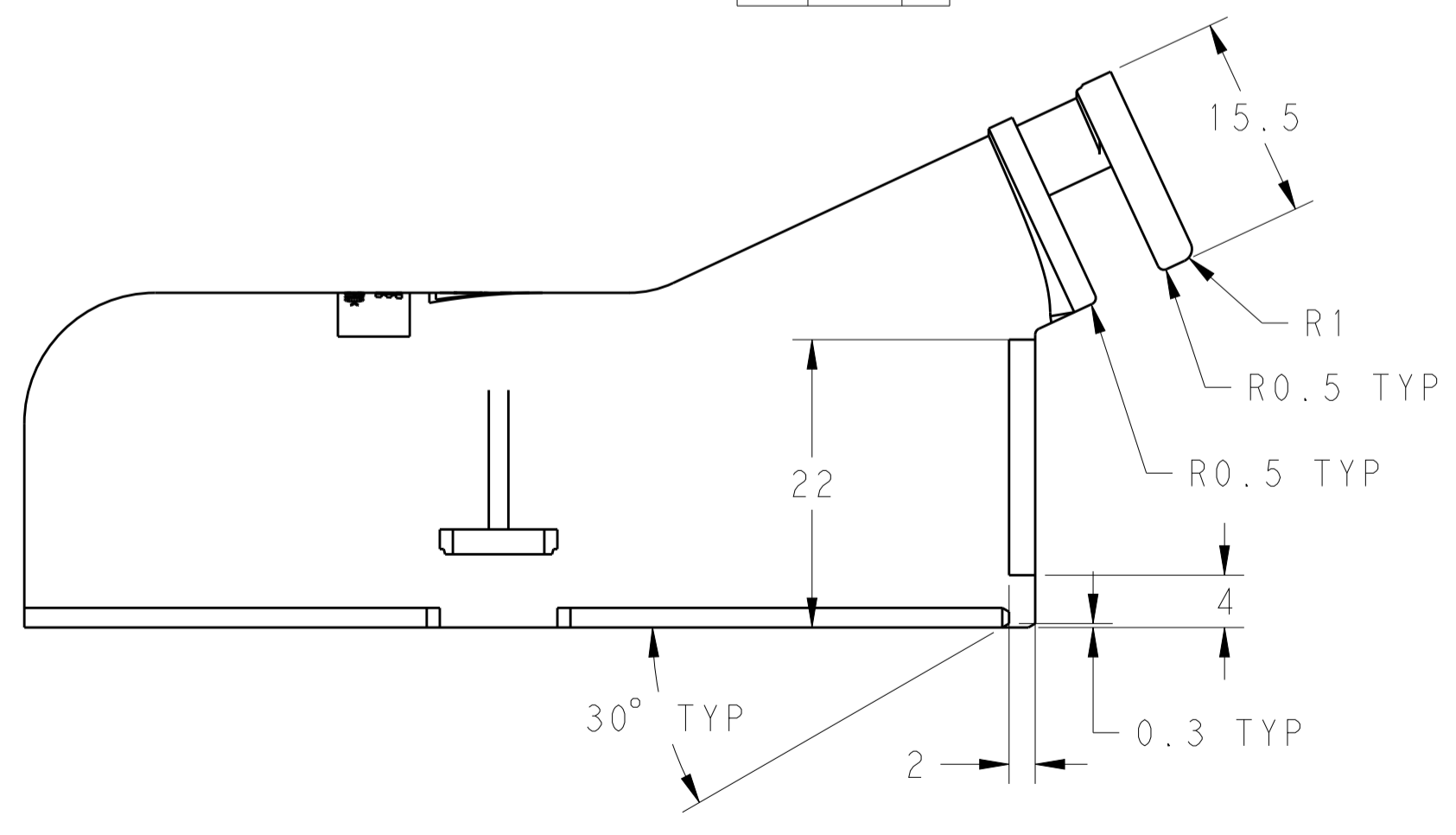
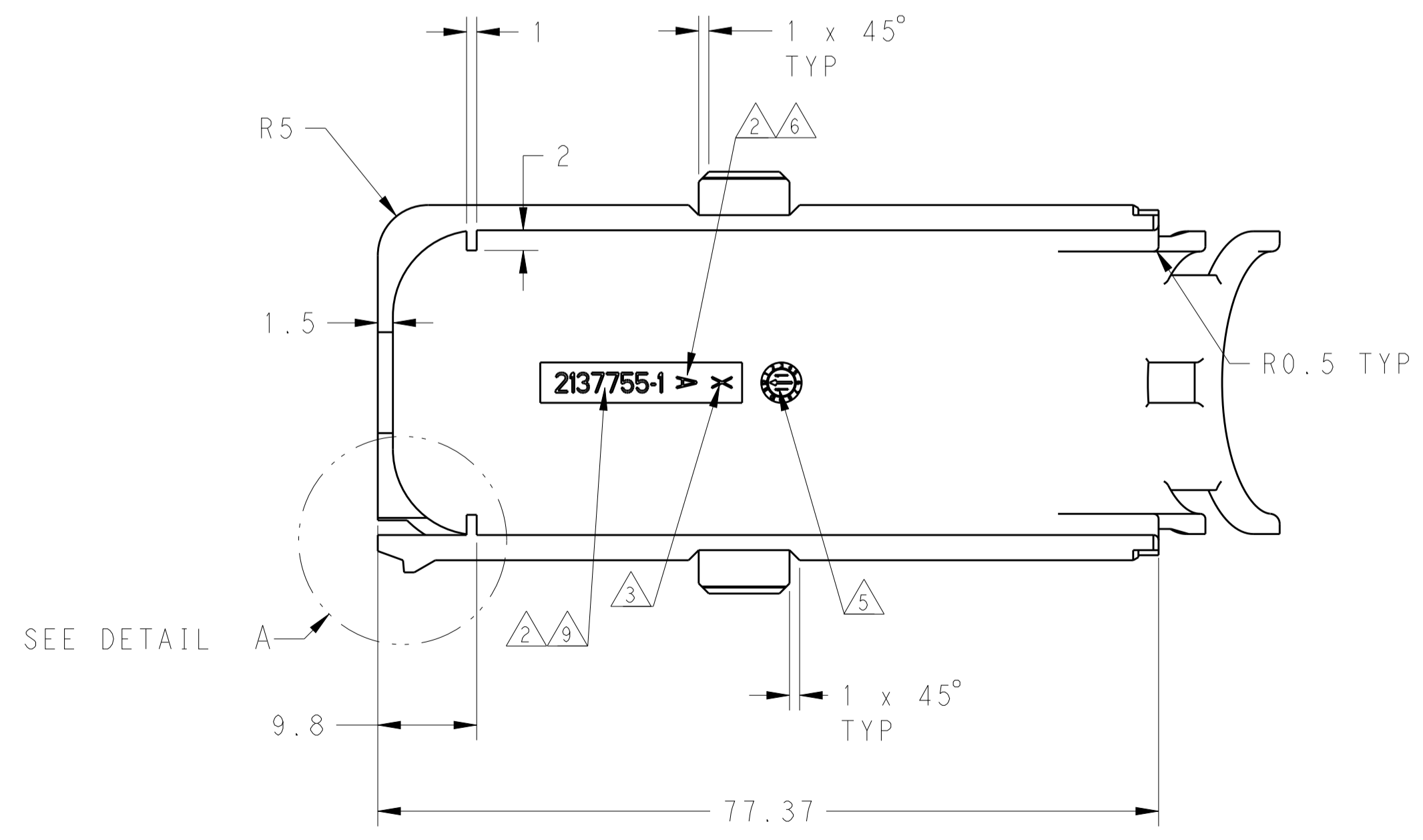
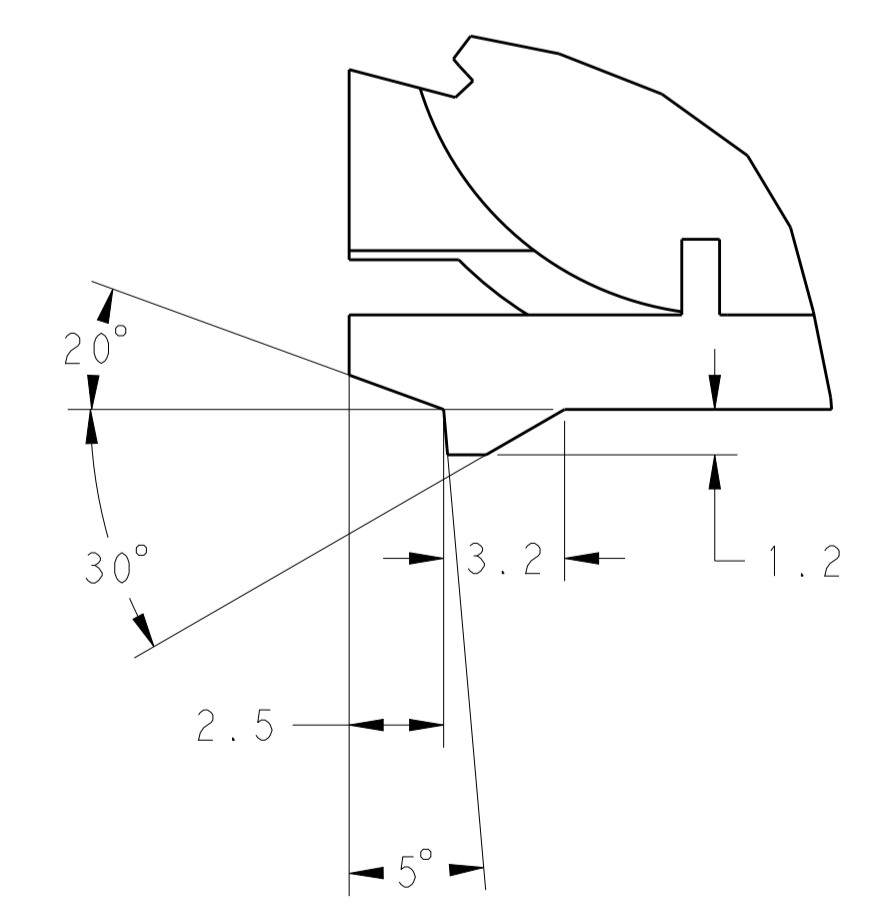
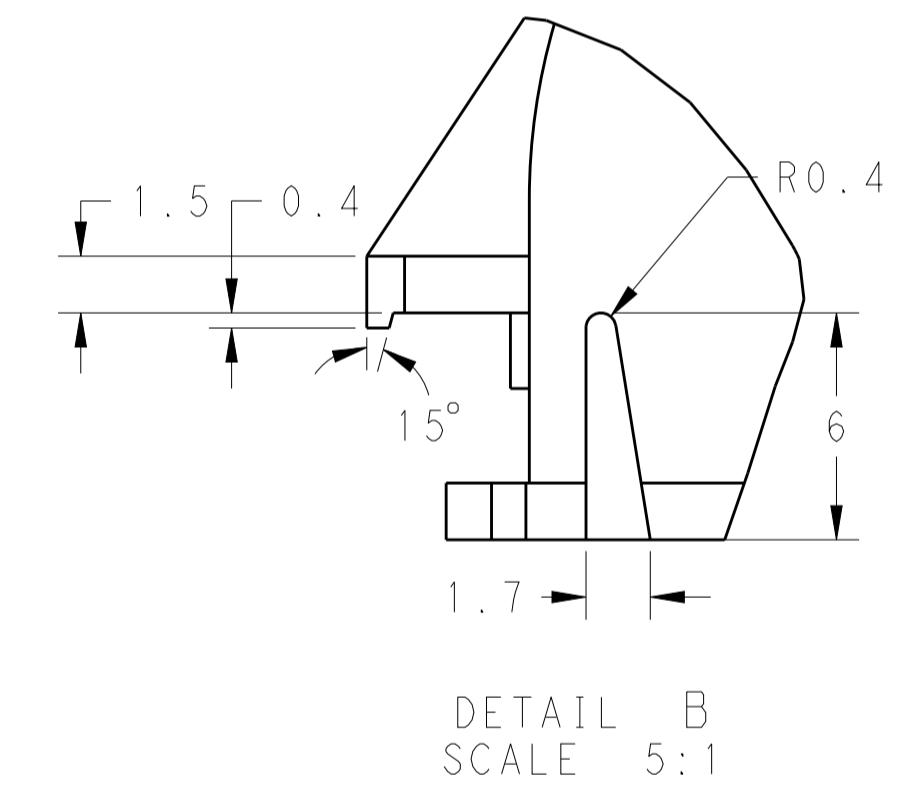
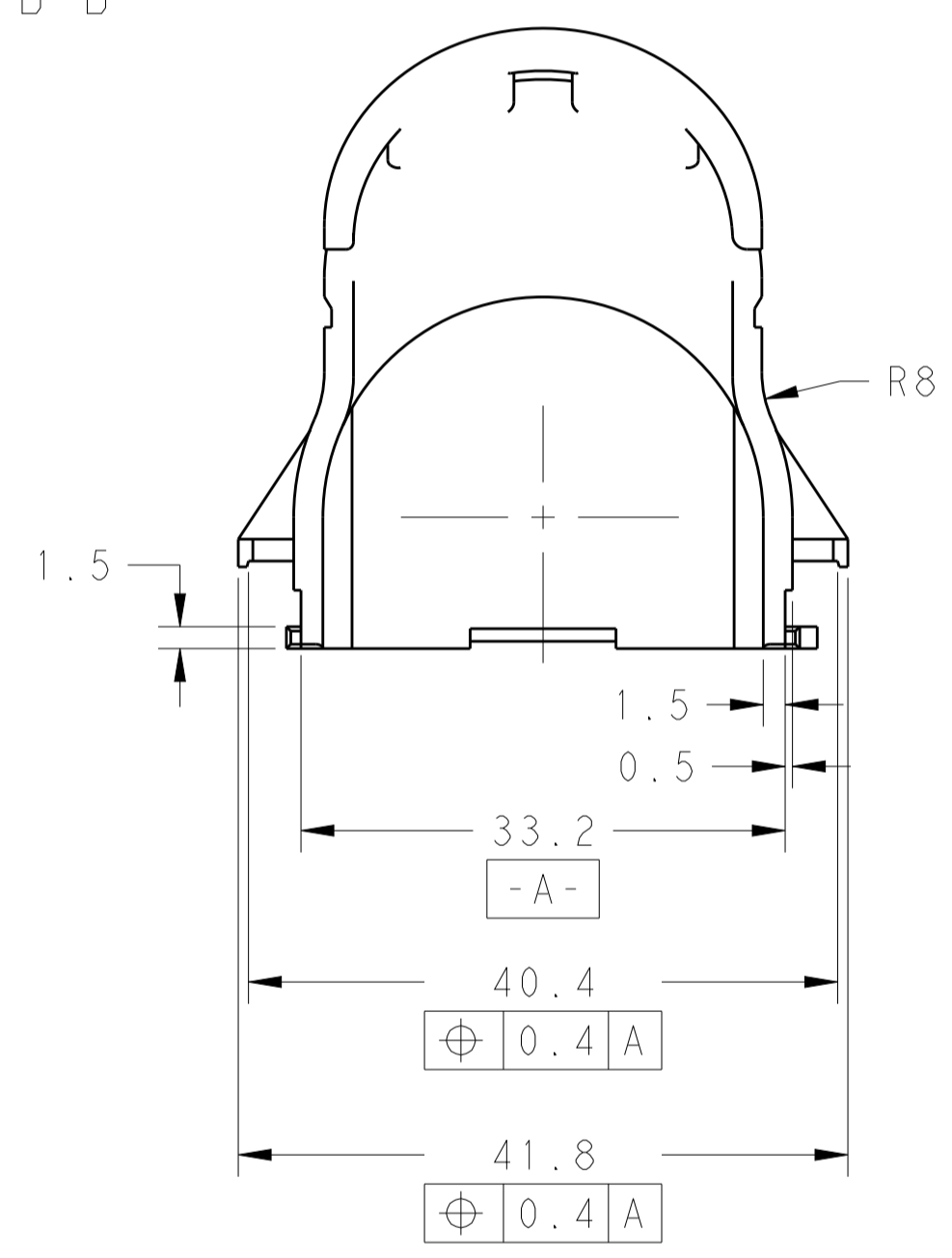
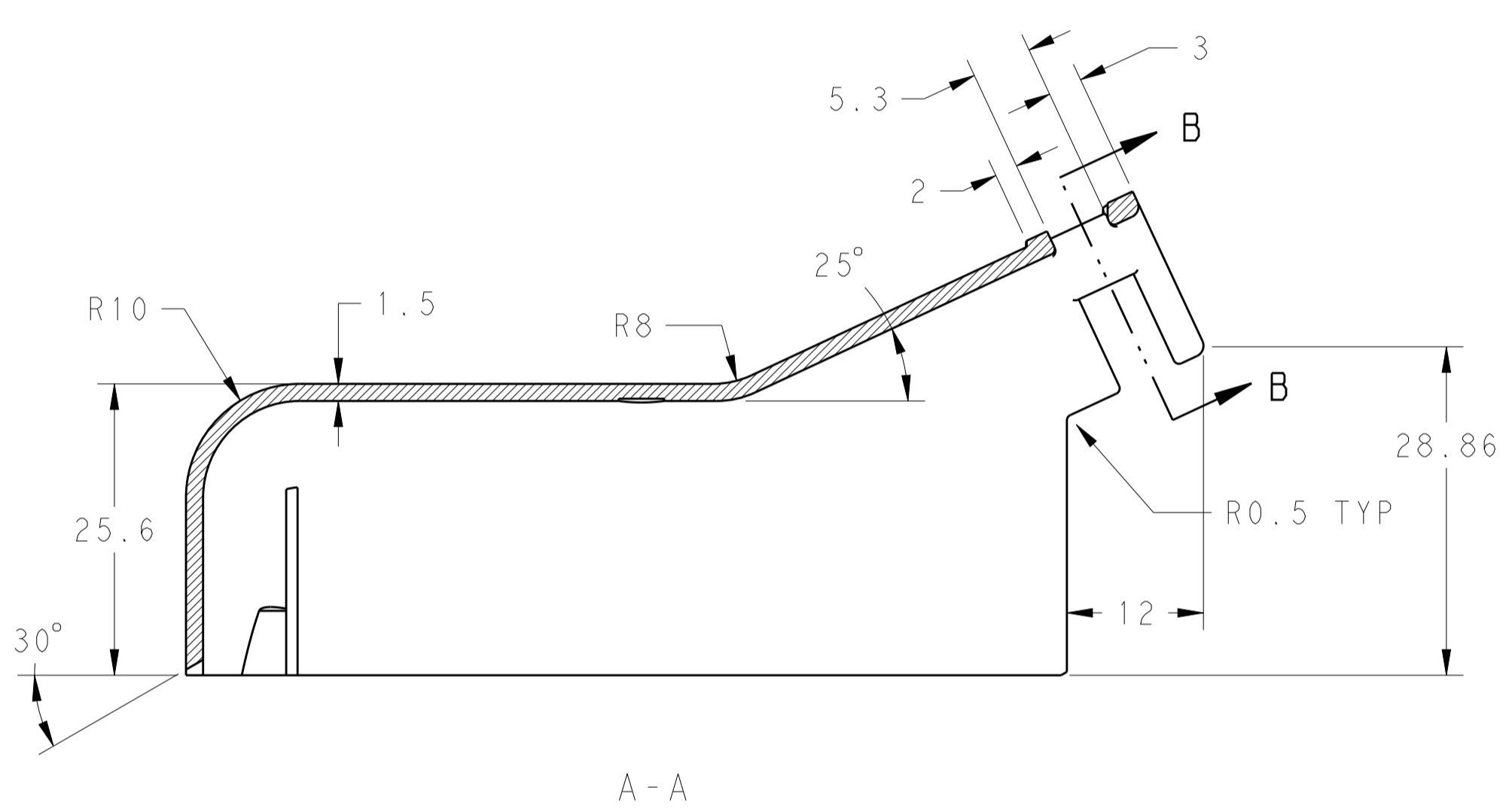
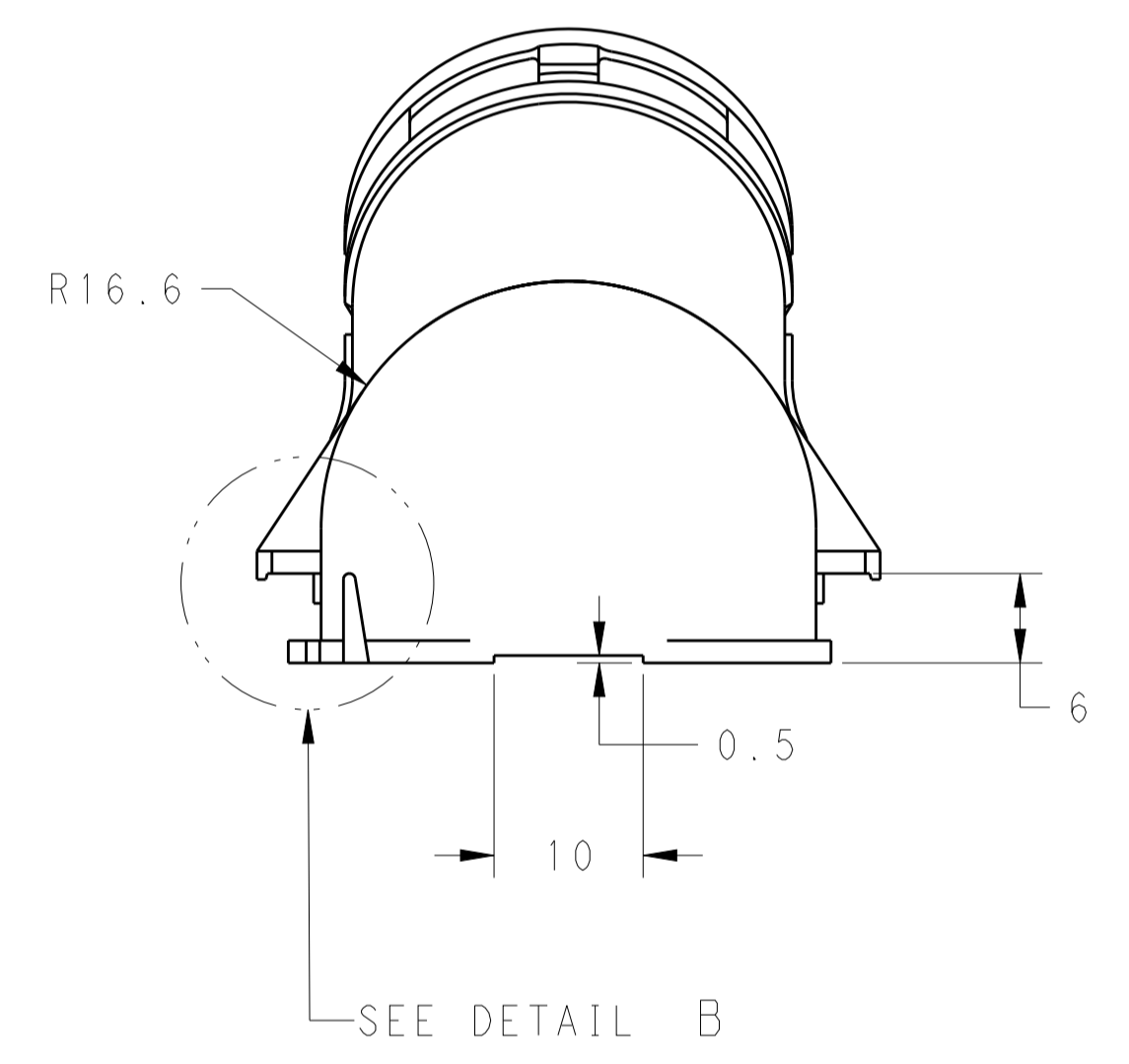


LOC		DIST		REVISIONS			
ES	00	P	LTM	DESCRIPTION	DATE	DWN	APVD
		A		RELEASED	15JAN13	JY	IY



- NOTES
- 1 CHARACTERS ACC. TO DIN 1451-HI.5, CHARACTERS 0.15 RAISED
  - 2 EXCHANGEABLE
  - 3 CAVITY MARKING:
  - 4 MATERIAL MARKING ACC. TO VDA 260
  - 5 MANUFACTURE DATE Ø4, RECEDE
  - 6 LETTER INSERT FOR THE REVISION STATUS OF THE MOULD  
ACTUAL STATUS SEE TABLE
  - 7 EXTERNAL SURFACE ACC. TO VDI 3400/27
  - 8 LOGO 1621426-6, ACC.TE SPEC TEC-202-36
  - 9 TE P/N
  - 10 SIGN ACC. TO DIN 40008 WS 1, RECEDE



DETAIL A  
SCALE 5:1

2137755-1	A	BLACK	PBT-GF10	1
PART NO.	PART REV.	COLOR	MATERIAL	ITEM

THIS DRAWING IS A CONTROLLED DOCUMENT.

DIMENSIONS:	TOLERANCES UNLESS OTHERWISE SPECIFIED:	DWN	22JUN11
mm	±0.2	J. YU	10AUG11
0 PLC	±0.1	CHK	W. YUAN
1 PLC	±0.1	APVD	W. YUAN
2 PLC	±0.1	PRODUCT SPEC	10AUG11
3 PLC	±0.1	APPLICATION SPEC	
4 PLC	±0.1	WEIGHT	
ANGLES	±1°	Customer Drawing	
MATERIAL			

NAME: 115DEG 94P COVER FOR REC HSG 154P ECU CONNECTOR

SIZE: A1 CAGE CODE: 2137755 DRAWING NO: 100779

RESTRICTED TO: -

SCALE: 2:1 SHEET: 1 OF 1 REV: A