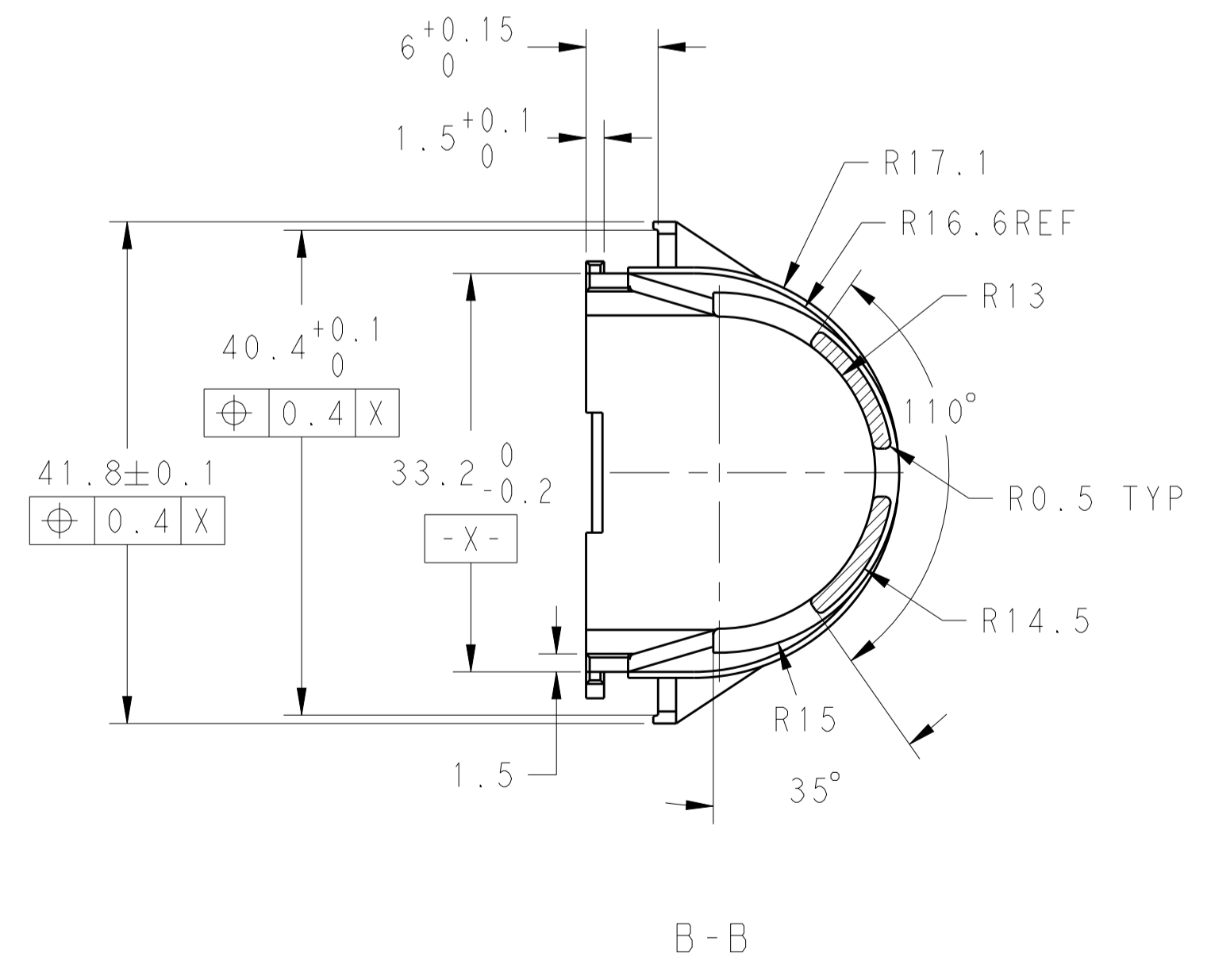
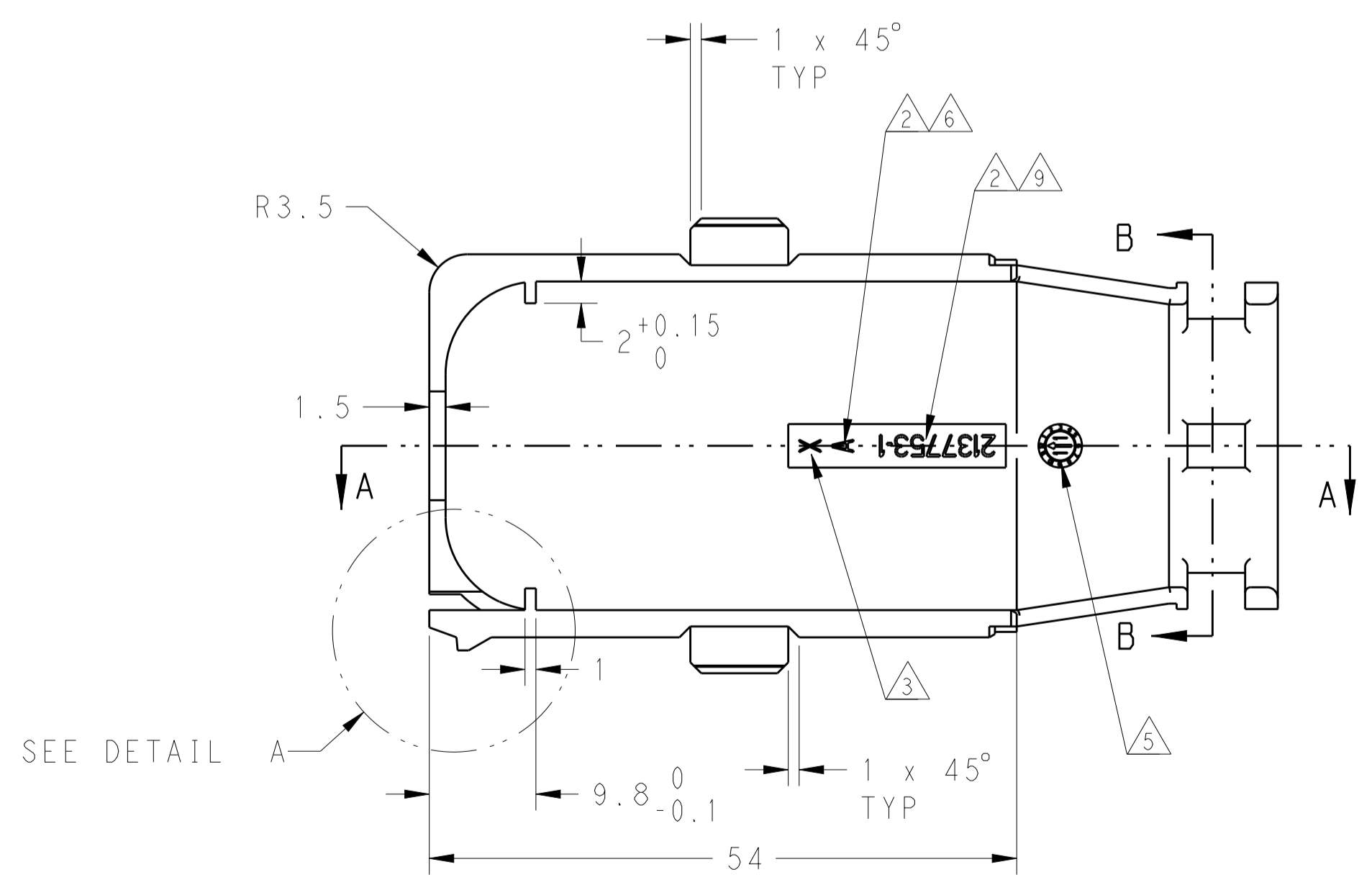
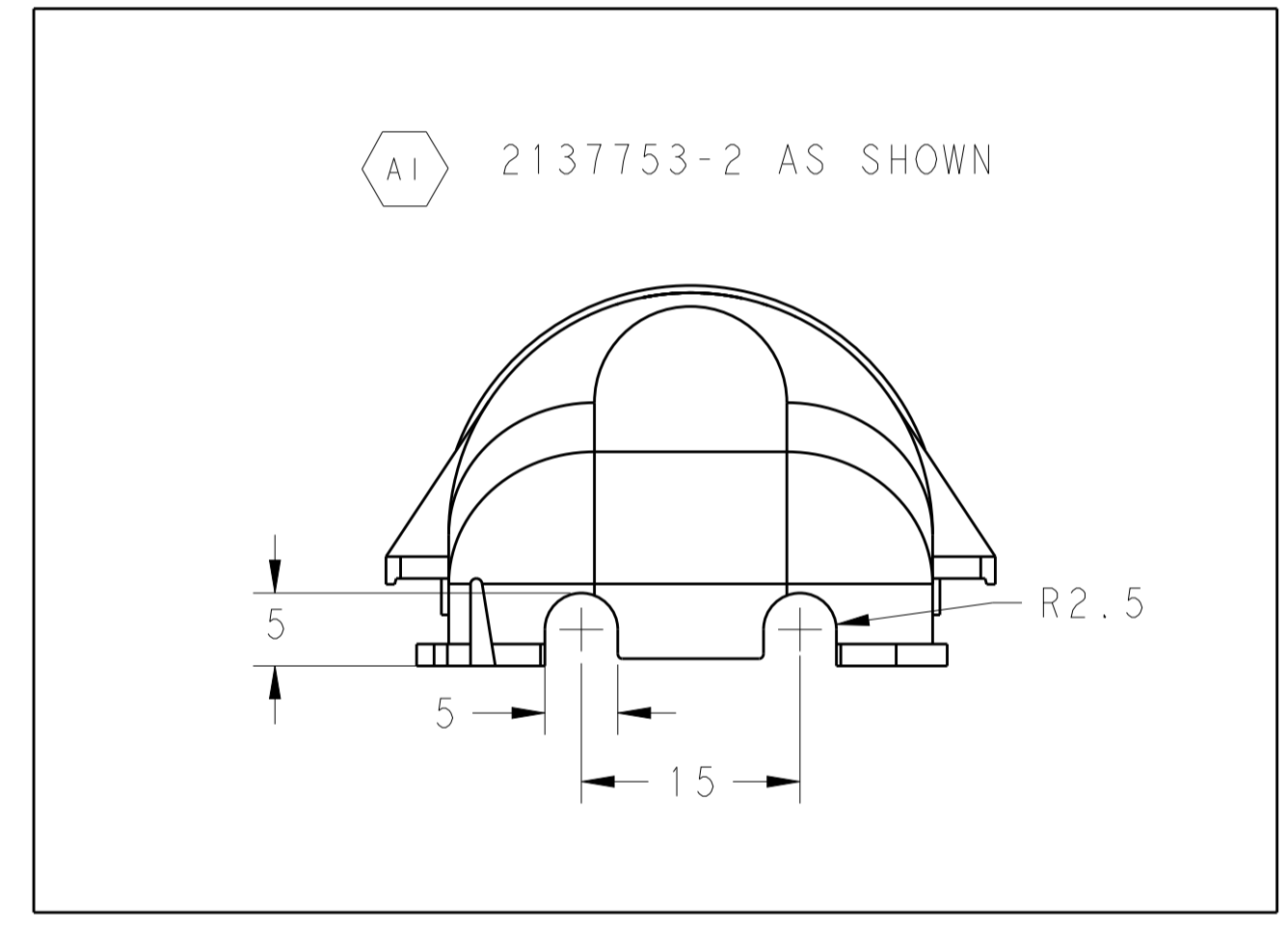
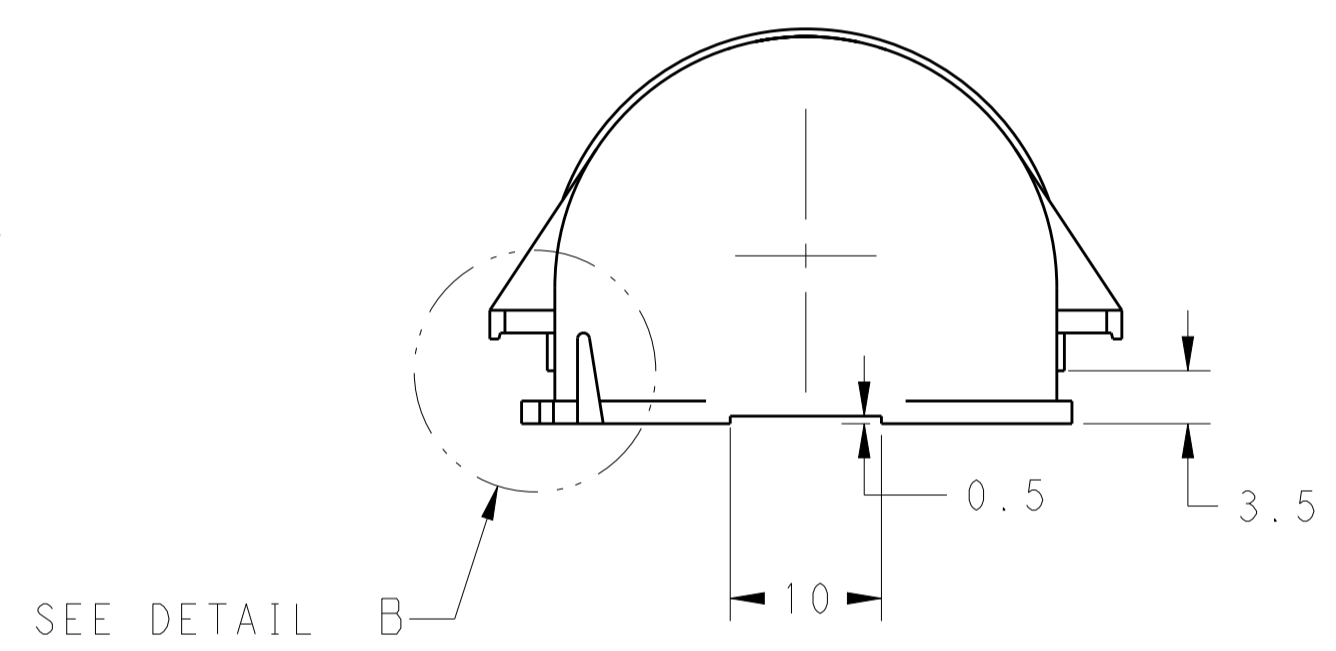
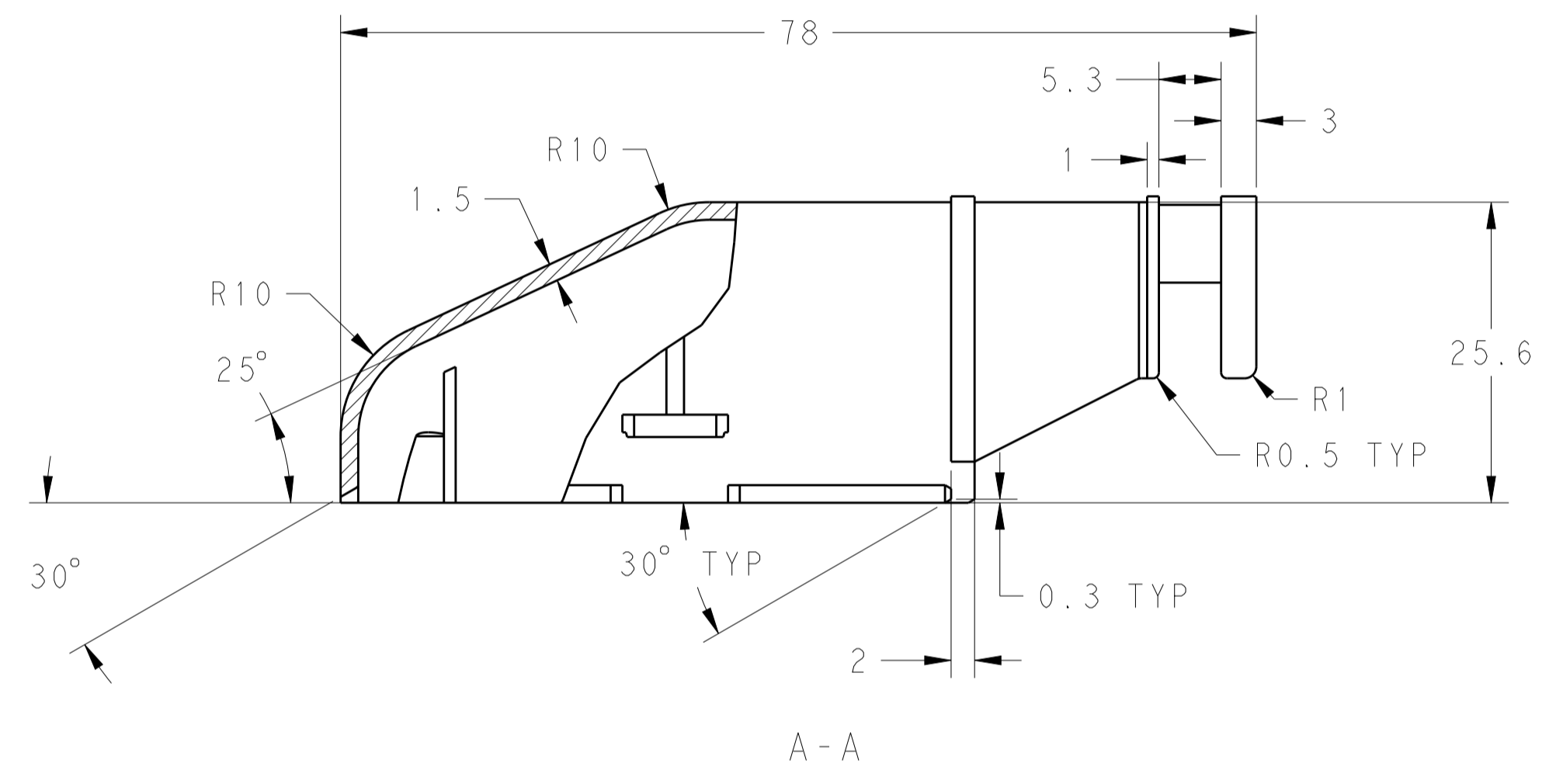
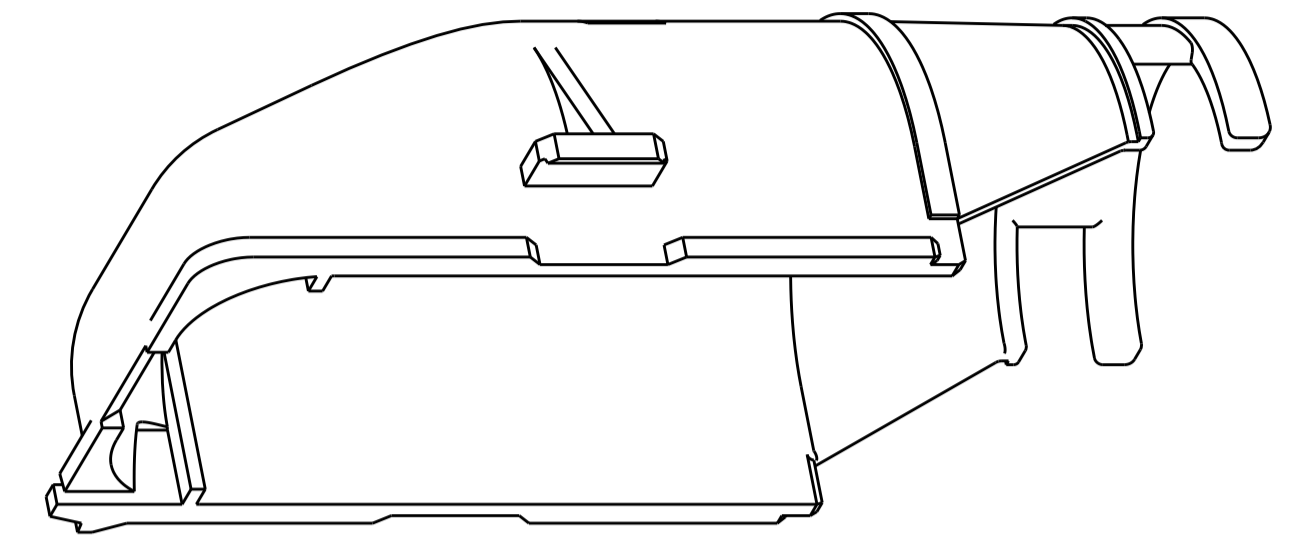
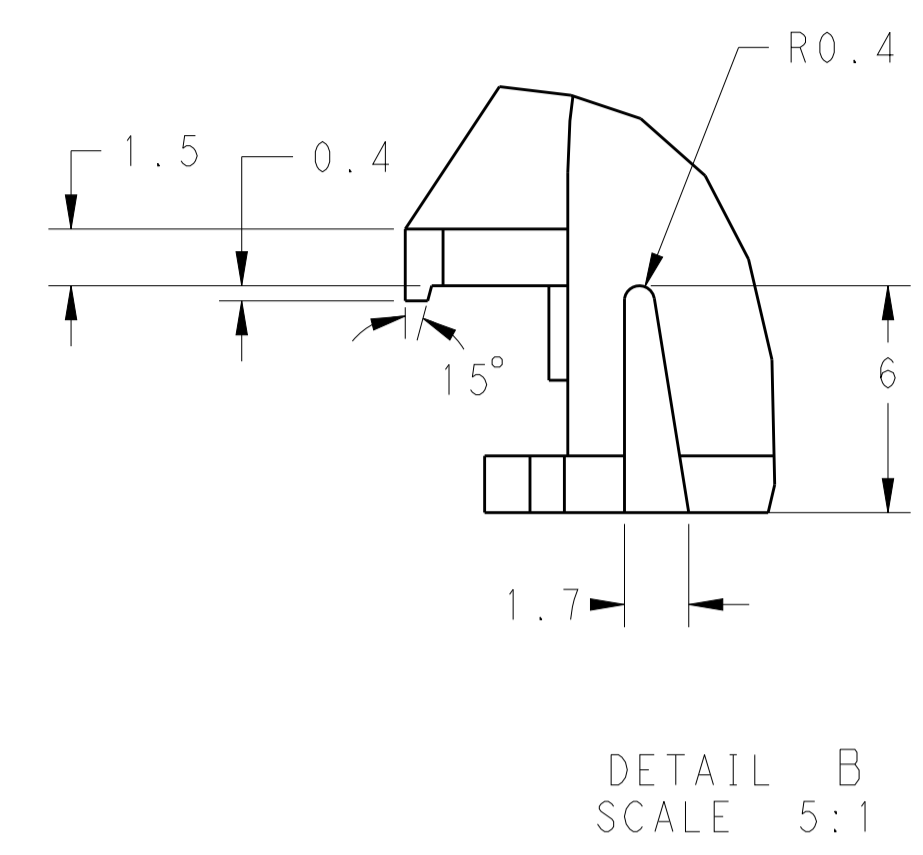
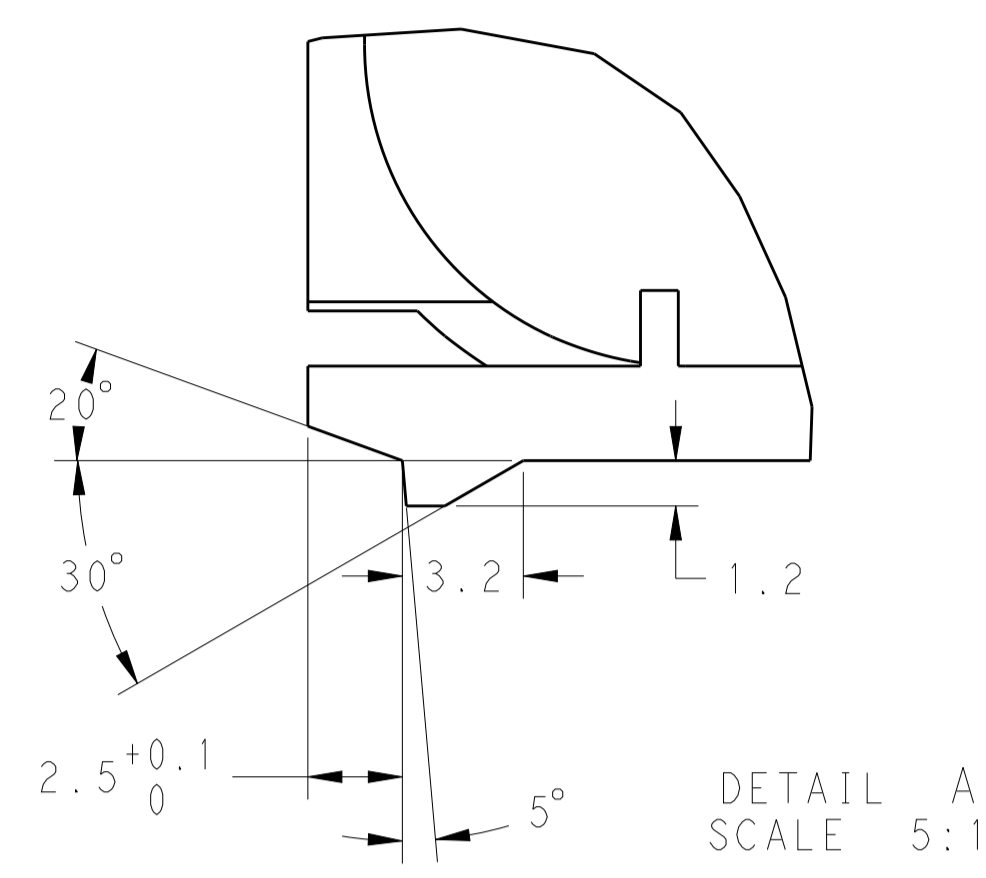
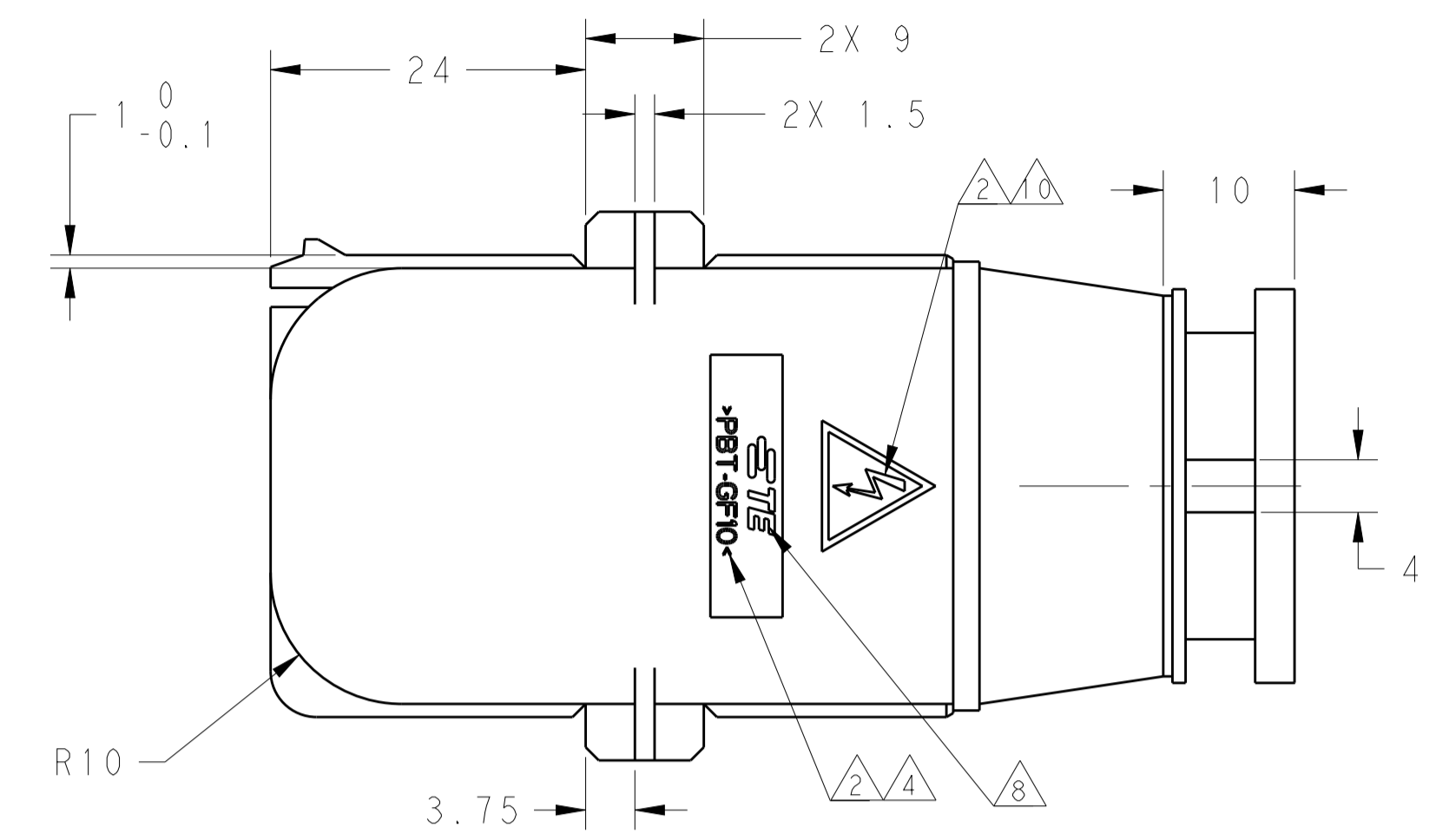


LOC		DIST		REVISIONS			
ES	00	P	LTN	DESCRIPTION	DATE	DWN	APVD
		A		RELEASED	15JAN13	JY	JY
		A1		ECR-20-007109	15MAY2020	S.C	Z.J



NOTES

- 1 CHARACTERS ACC. TO DIN 1451-HI.5, CHARACTERS 0.15 RAISED
- 2 EXCHANGEABLE
- 3 CAVITY MARKING:
- 4 MATERIAL MARKING ACC. TO VDA 260
- 5 MANUFACTURE DATE Ø4, RECEDE
- 6 LETTER INSERT FOR THE REVISION STATUS OF THE MOULD ACTUAL STATUS SEE TABLE
- 7 EXTERNAL SURFACE ACC. TO VDI 3400/27
- 8 LOGO 1621426-6, ACC.TE SPEC TEC-202-36
- 9 TE P/N
- 10 SIGN ACC. TO DIN 40008 WS 1, RECEDE

PART NO.	PART REV.	COLOR	MATERIAL	ITEM
2137753-2	A	BLACK	PBT-GF10	2
2137753-1	A	BLACK	PBT-GF10	1

THIS DRAWING IS A CONTROLLED DOCUMENT. DWG: J.YU 22JUN11, CHK: W.YUAN 10AUG11, APVD: W.YUAN 10AUG11

DIMENSIONS: mm. TOLERANCES UNLESS OTHERWISE SPECIFIED: ±0.2

0 PLC	±0.2
1 PLC	±0.5
2 PLC	±0.13
3 PLC	±0.013
4 PLC	±0.001
ANGLES	±1°

MATERIAL: -. FINISH: -

Customer Drawing

TE Connectivity

NAME: 60P COVER FOR RECEPTABLE HSG 154P ECU CONNECTOR

SIZE: A1. CAGE CODE: 2137753. DRAWING NO: 2137753. RESTRICTED TO: -

SCALE: 1:1. SHEET: 1 OF 1. REV: A1