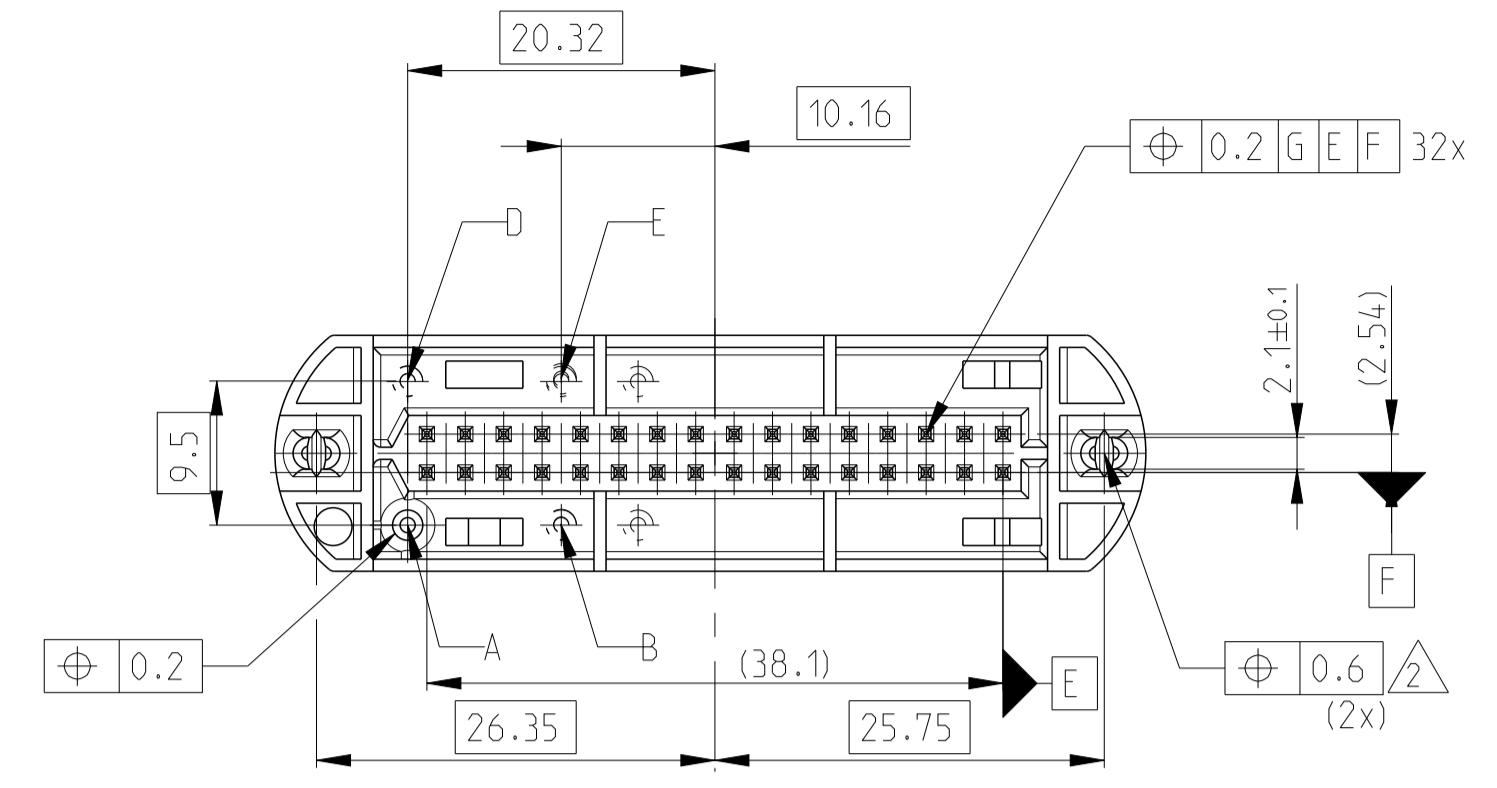
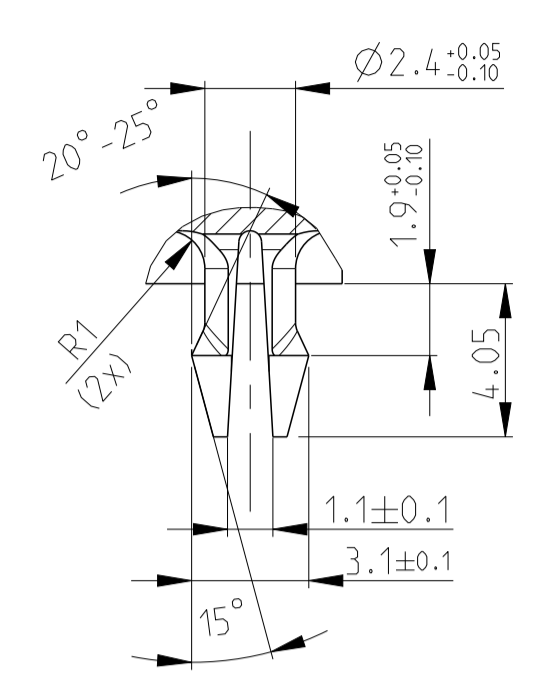


LOC		DIST		REVISIONS			
P	LTN	DESCRIPTION	DATE	DMN	APVD		
A		RELEASE	30JUN11	E.X	I.Y		
A1		ECR-11-015805	01AUG11	E.X	I.Y		
A2		ECR-13-012747	12AUG13	X.L	I.Y		
A3		ECR-19-013351	22AUG19	E.L	W.W		

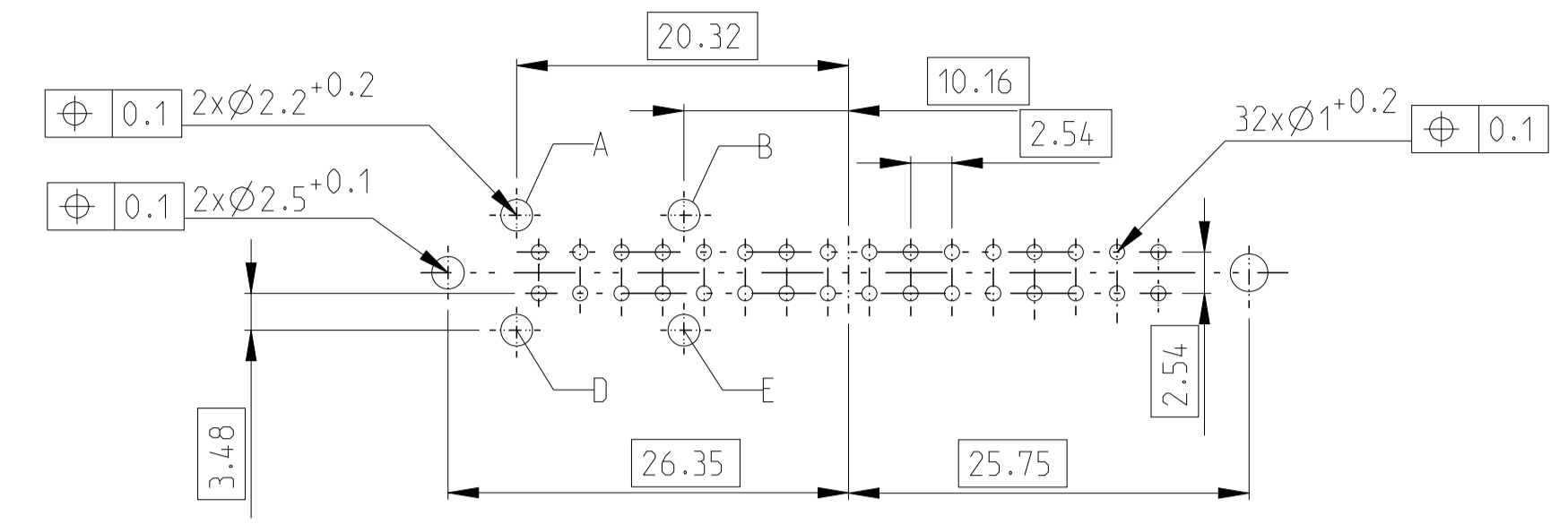
CODING A-F. SOLDER SIDE



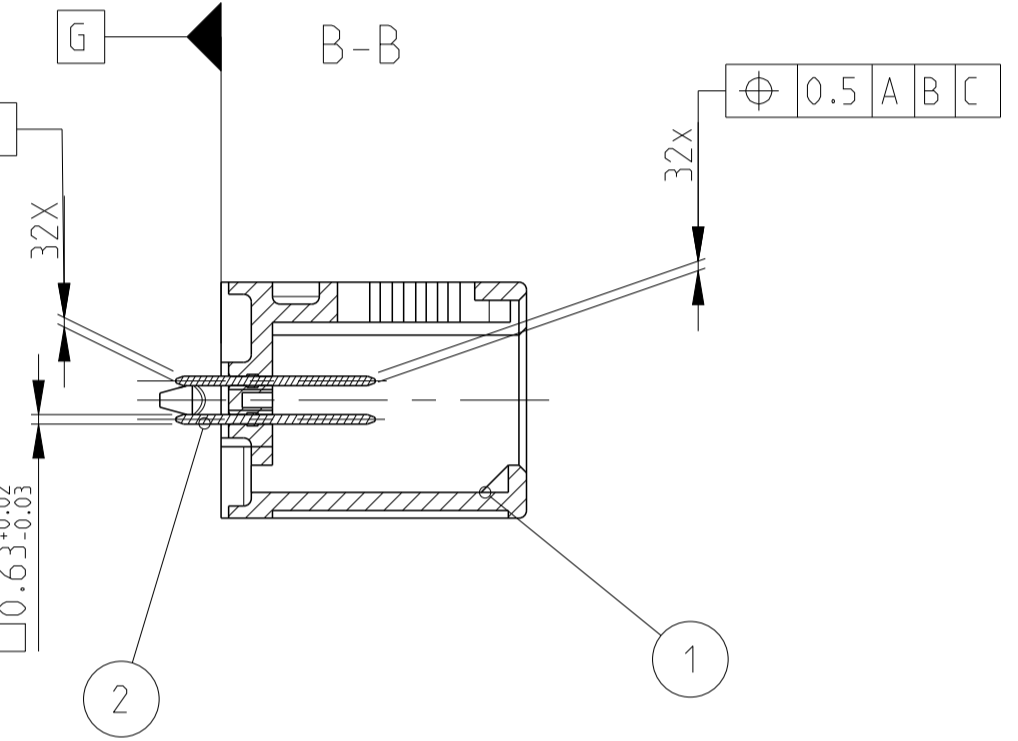
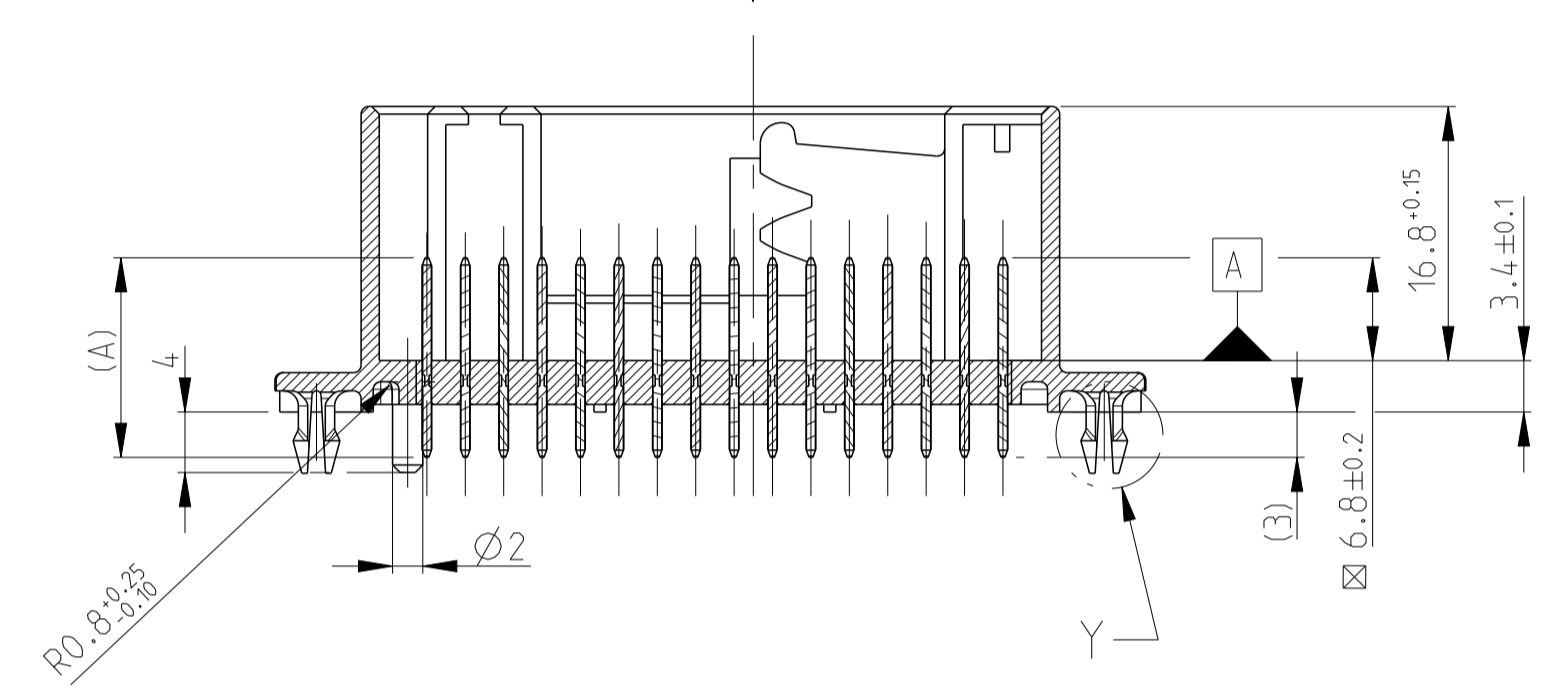
DETAIL "Y"



PCB LAYOUT

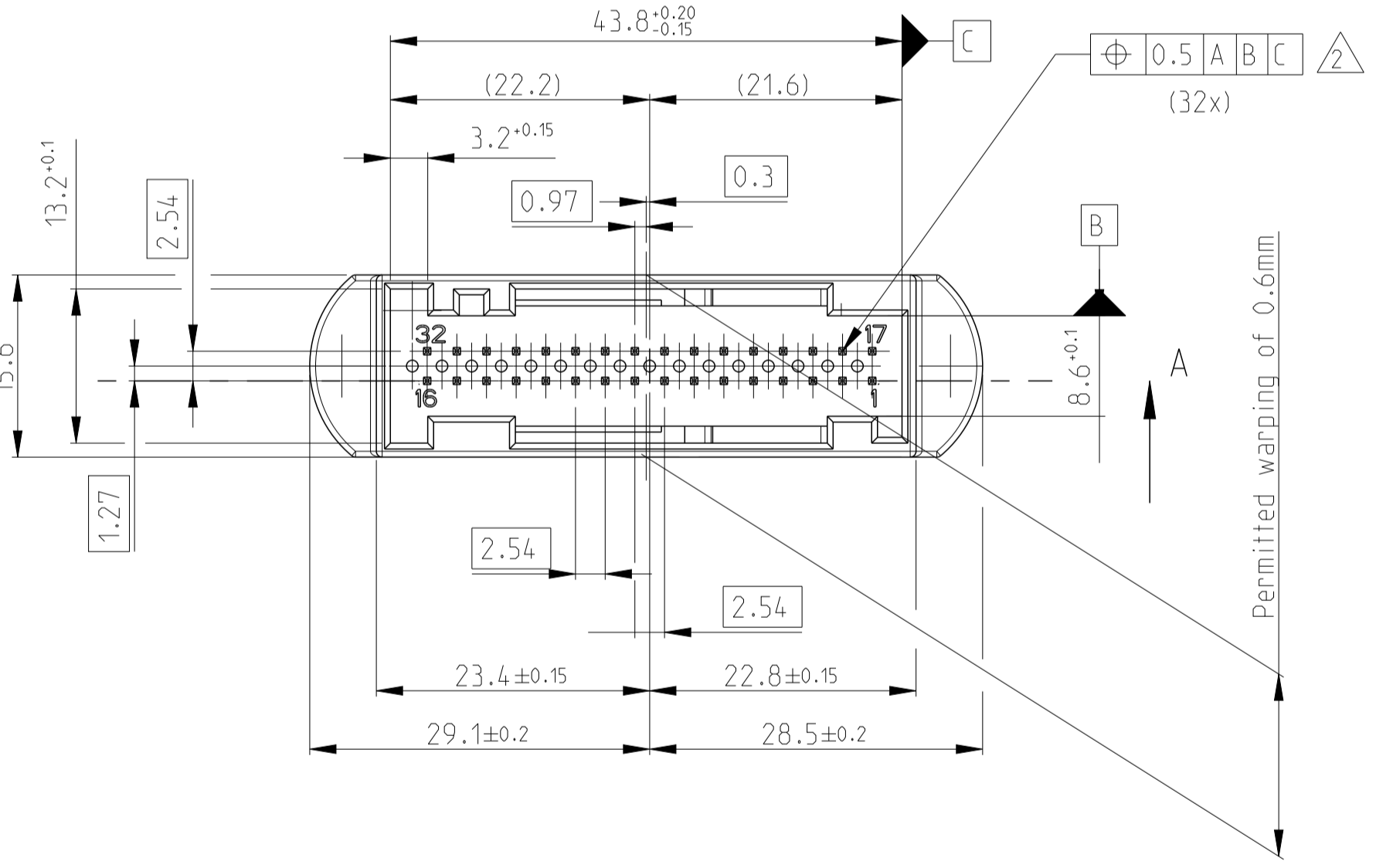


SECTION A-A

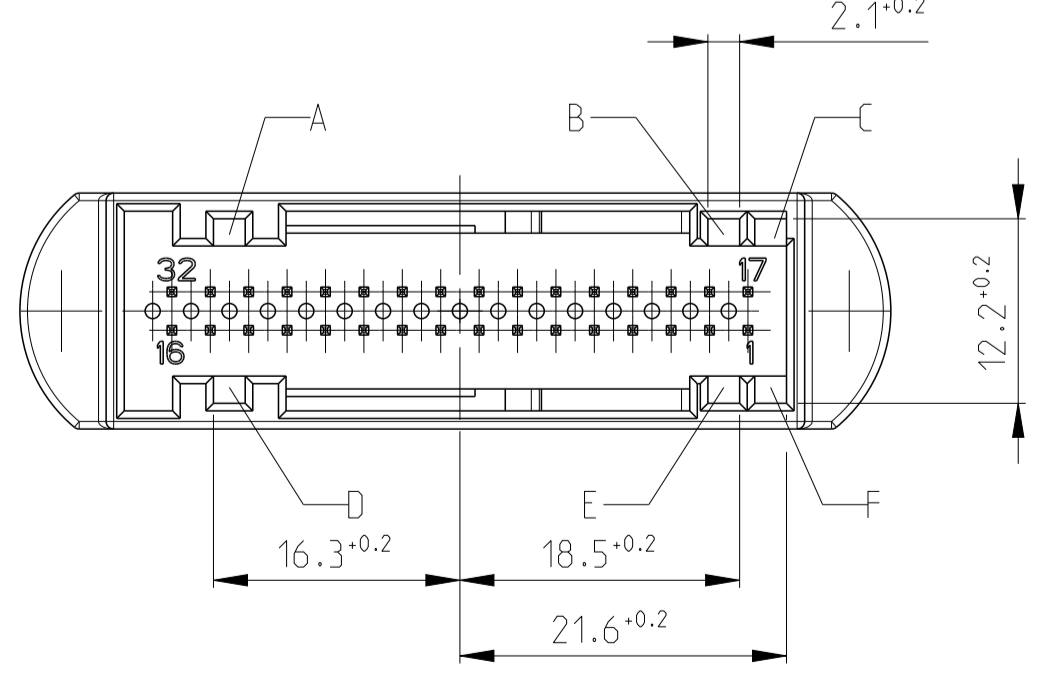


NOTES:

- 1 THE EXECUTION OF THE PRINTED CIRCUIT BOARD CODING AND THE CODING SLOTS, SEE TABLE
- 2 FORM- AND POSITION TOLERANCE; "POSITION" IS VALID ONLY FOR THE APPROPRIATED POINTS
- 3 SURFACE: TIN PLATING 2.0 µm - 4.0 µm (PER FINISH SPEC 112-16-2) OVER 1.27 µm - 2.2 µm NICKEL (PER FINISH SPEC 112-42-3) / ELECTRO PLATED, MAT
4. MATING PARTS SEE TE P/N2050723-X
5. ELECTRICAL CONTRAL. OPEN CIRCUIT. SHORT CIRCUIT
6. SYMBOL ■ DIMENSION IS SIGNIFICANT CHARACTERISTIC  
 SYMBOL ☒ DIMENSION IS MAJOR CHARACTERISTIC



VIEW "X"  
 ALL CODING SHOWN, MATING SIDE



CODING	MATING SOLDER SIDE		SOLDER SIDE	
	Dist. A (mm)	Dist. B (mm)	C	D
X	13.2	13.2	C-D	A
X			A-F	

Dist. A (mm)	Dist. B (mm)	QTY	DESCRIPTION	Rev	MATERIAL	SURFACE	RAL	
X	X	2	32	AMPMODU MODU II PIN	0.63	A	CuZn30	TIN PLATING
X	X	1	1	32P PIN HEADER HOUSING	A	PBT-GF15	BLUE	5012
X	X	1	1	32P PIN HEADER HOUSING	A	PBT-GF15	GREEN	6018
-2	-1	POS	QTY	DESCRIPTION	Rev	MATERIAL	SURFACE	RAL

OWN	E.XU	30JUN2011	TE Connectivity
CHK	R.DONG	30JUN2011	Shanghai China
APVD	L.YIN	30JUN2011	NAME
DIMENSIONS:		TOLERANCES UNLESS OTHERWISE SPECIFIED:	
mm	0 PLC	IN. DIM 10001 -100	
	1 PLC	-	
	2 PLC	-	
	3 PLC	-	
	4 PLC	-	
	ANGLES	±2°	
MATERIAL	FINISH	WEIGHT	
-	-	-	

AMPMODU MODU II PIN HEADER. ASSY. 2X16 POS.	SIZE	CAGE CODE	DRAWING NO	RESTRICTED TO
A1			©=2137614	
CUSTOMER DRAWING	SCALE	SHEET	1 OF 1	REV A3
	2:1			