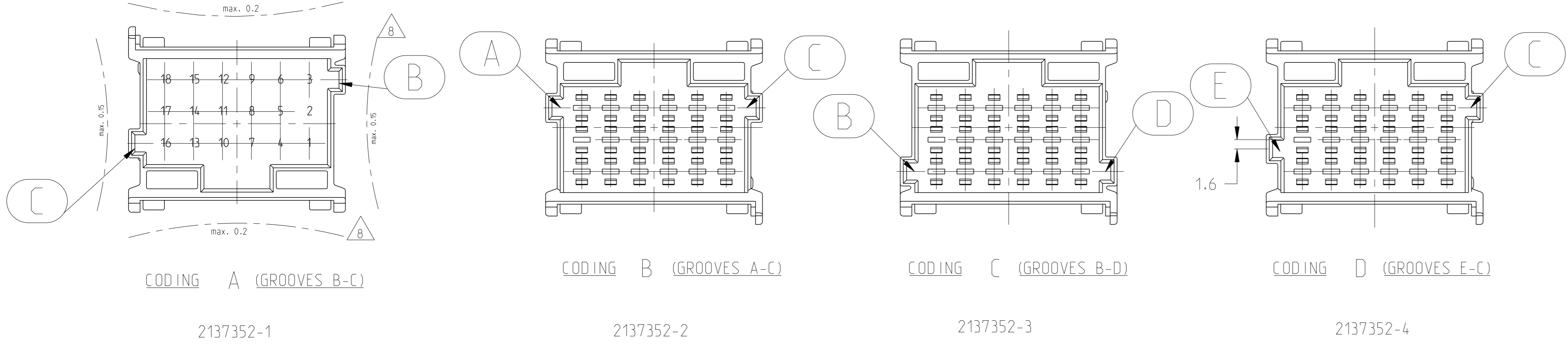
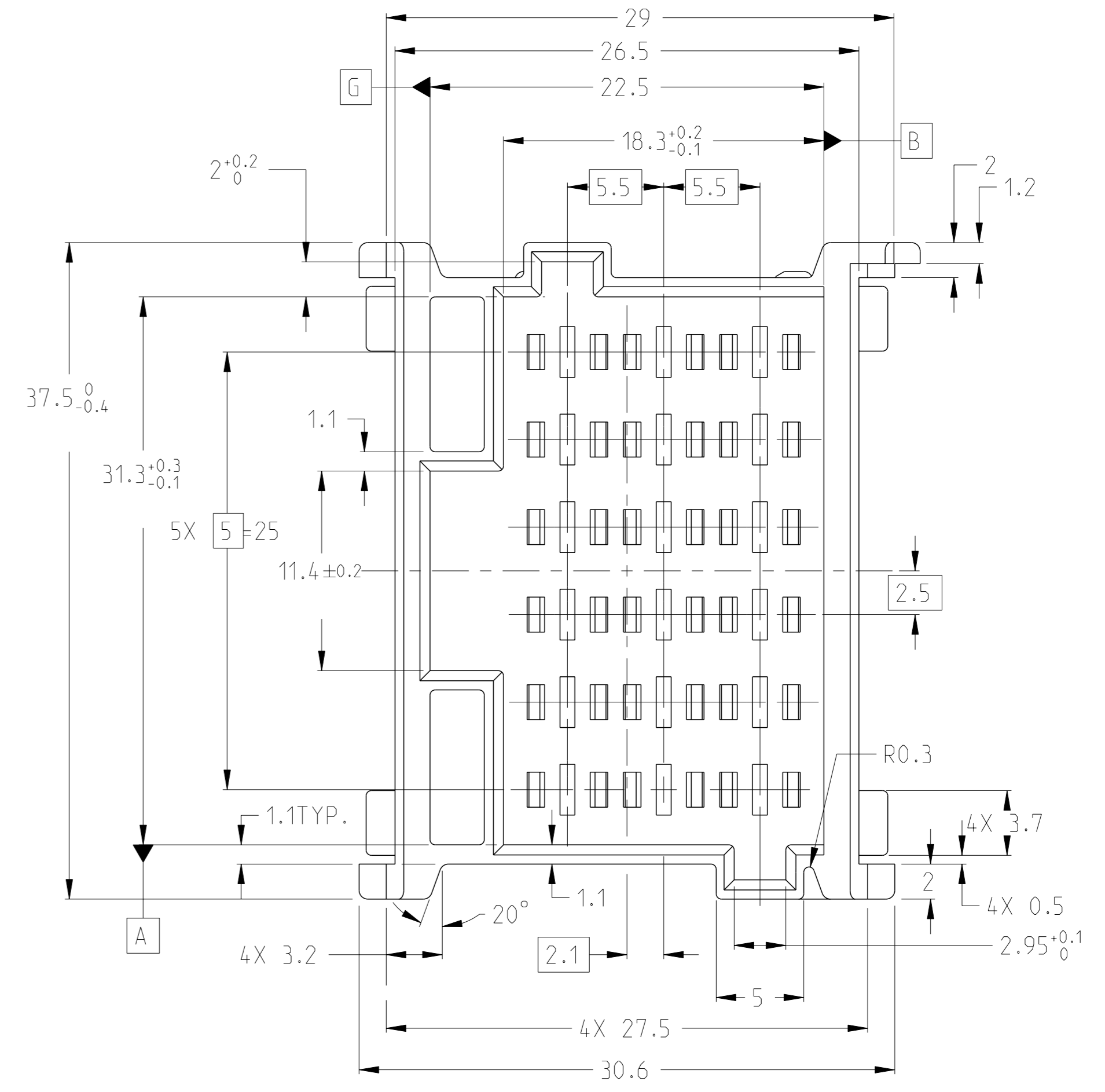
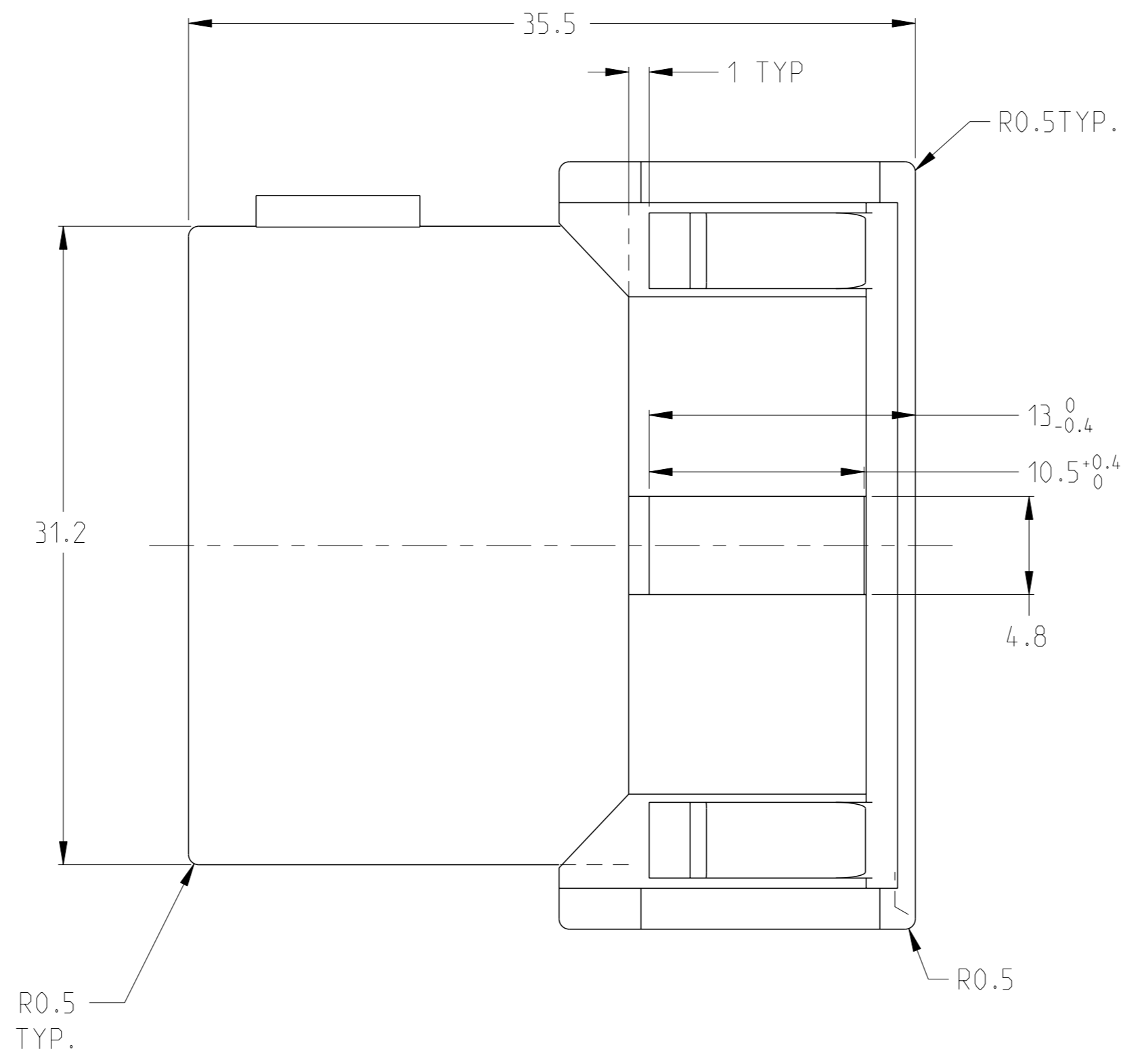
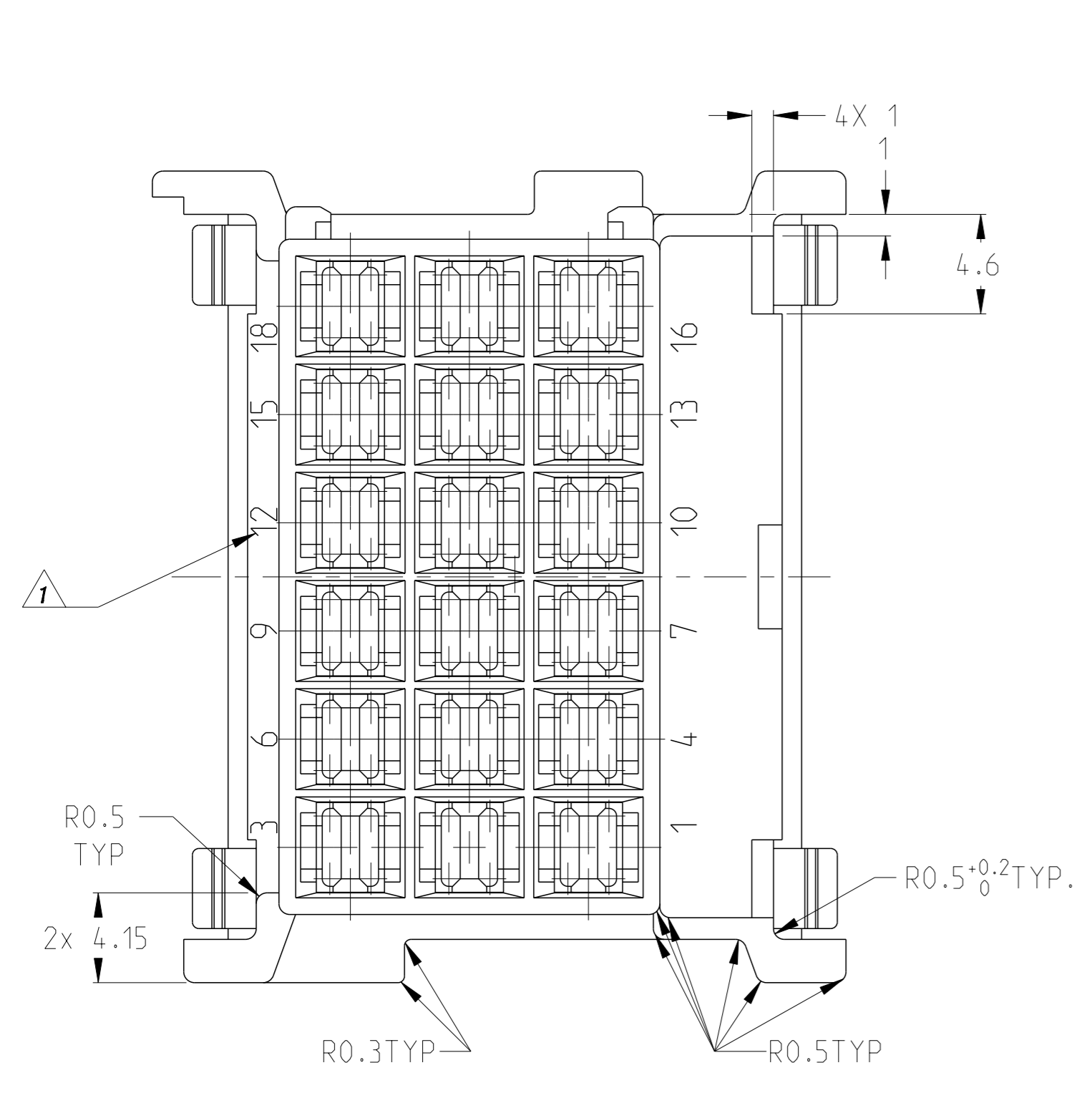
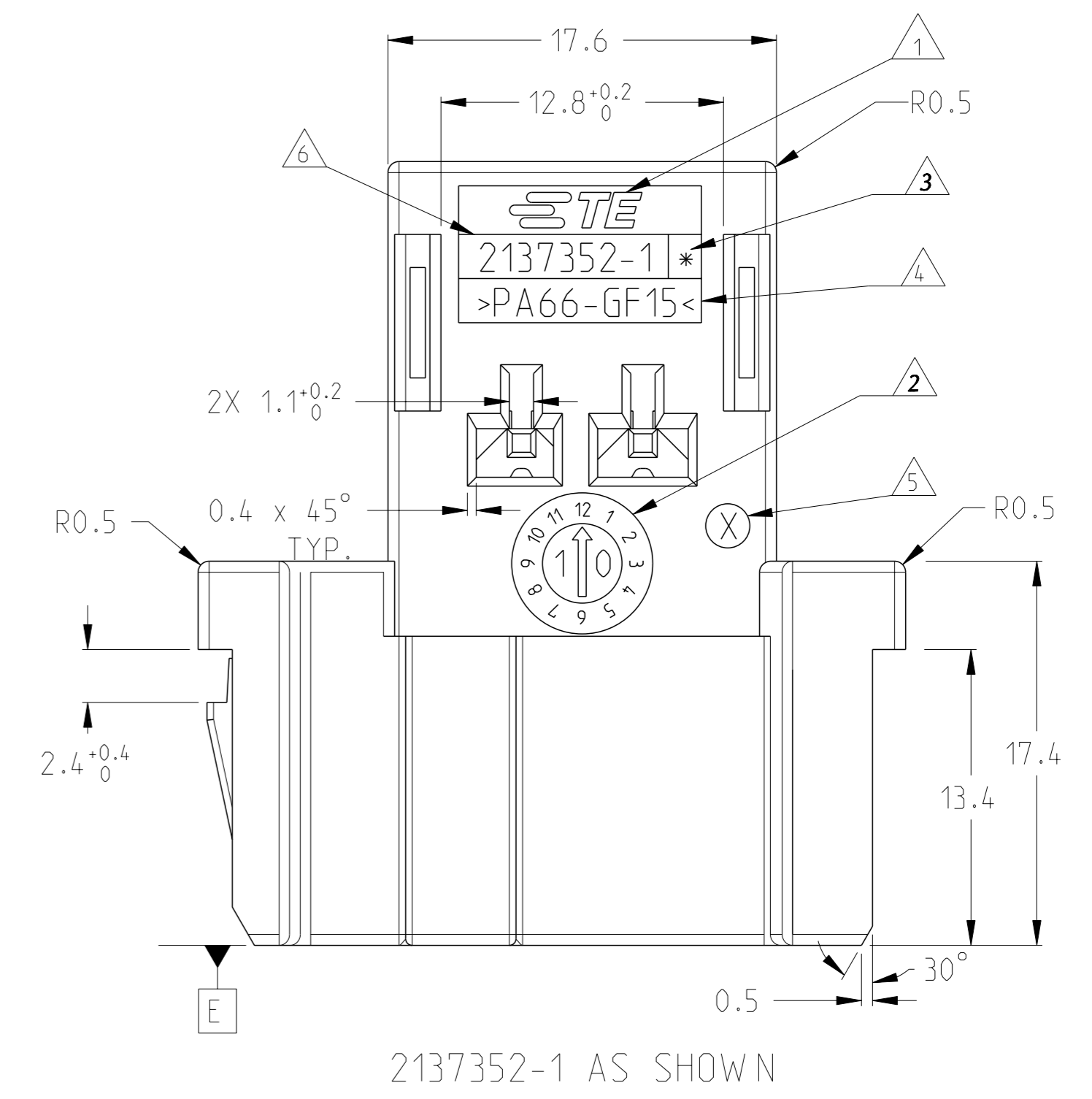


SCALE 2:1
PIN POSITION NUMBERING
(CAVITIES NOT SHOWN)



REVISIONS				
#	CL#	DESCRIPTION	DATE	OWN / APVD
A		RELEASED	-	HX / -
B		REVISED ECR-17-018363	31OCT2017	Z.L / I.Y
B1		REVISED ECR-19-006325	26APR2019	N.S / I.Y



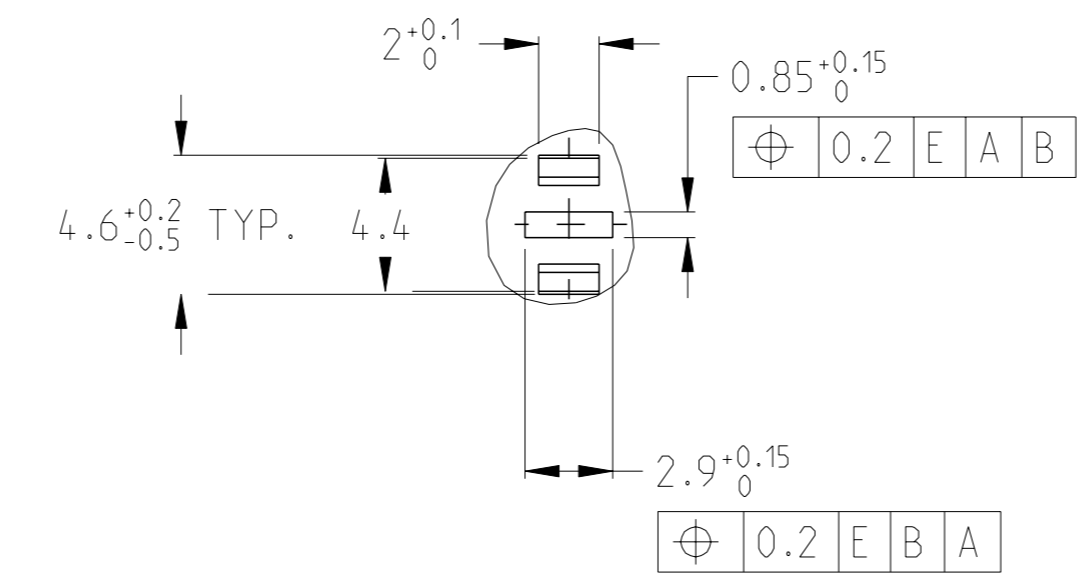
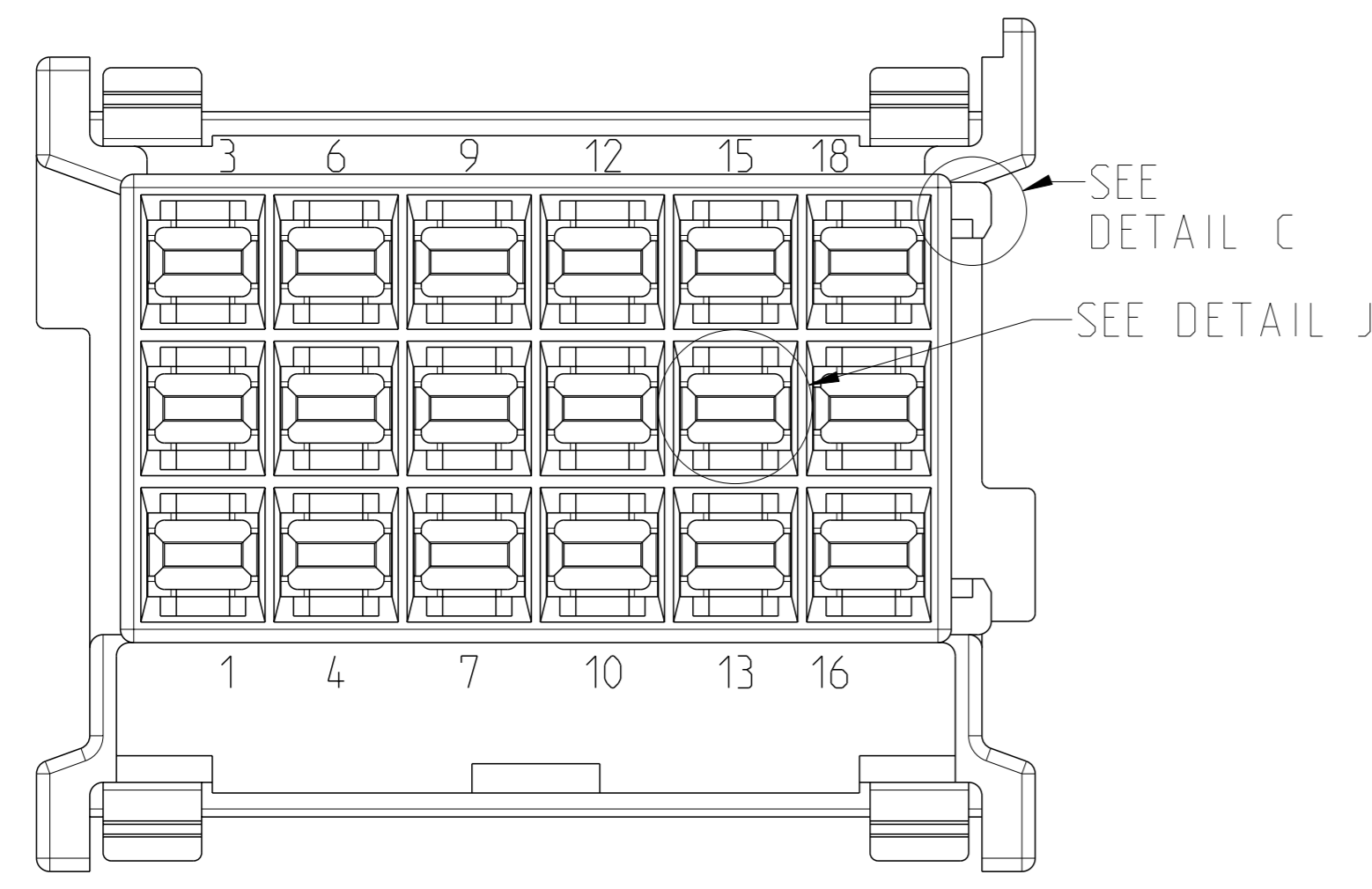
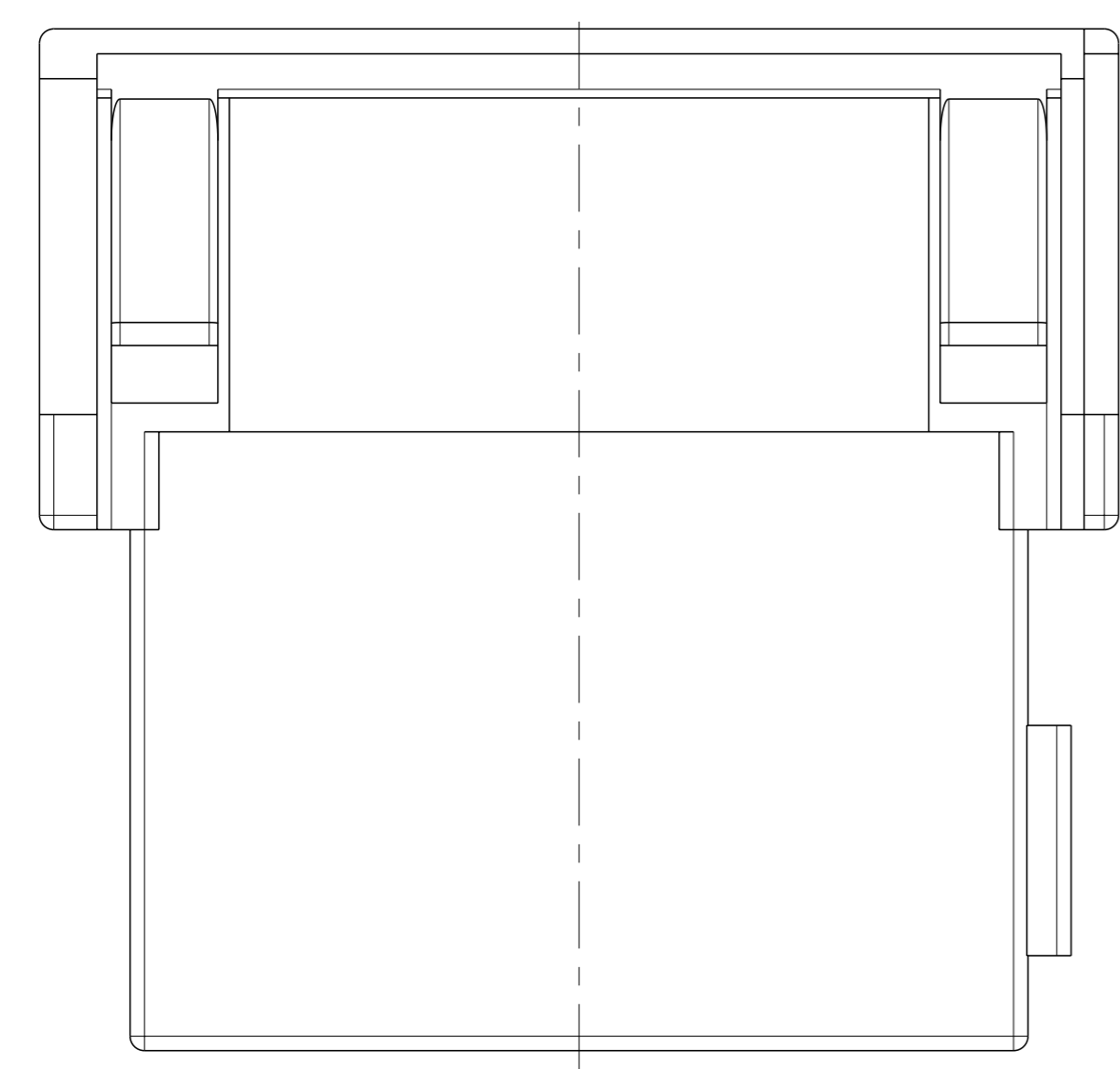
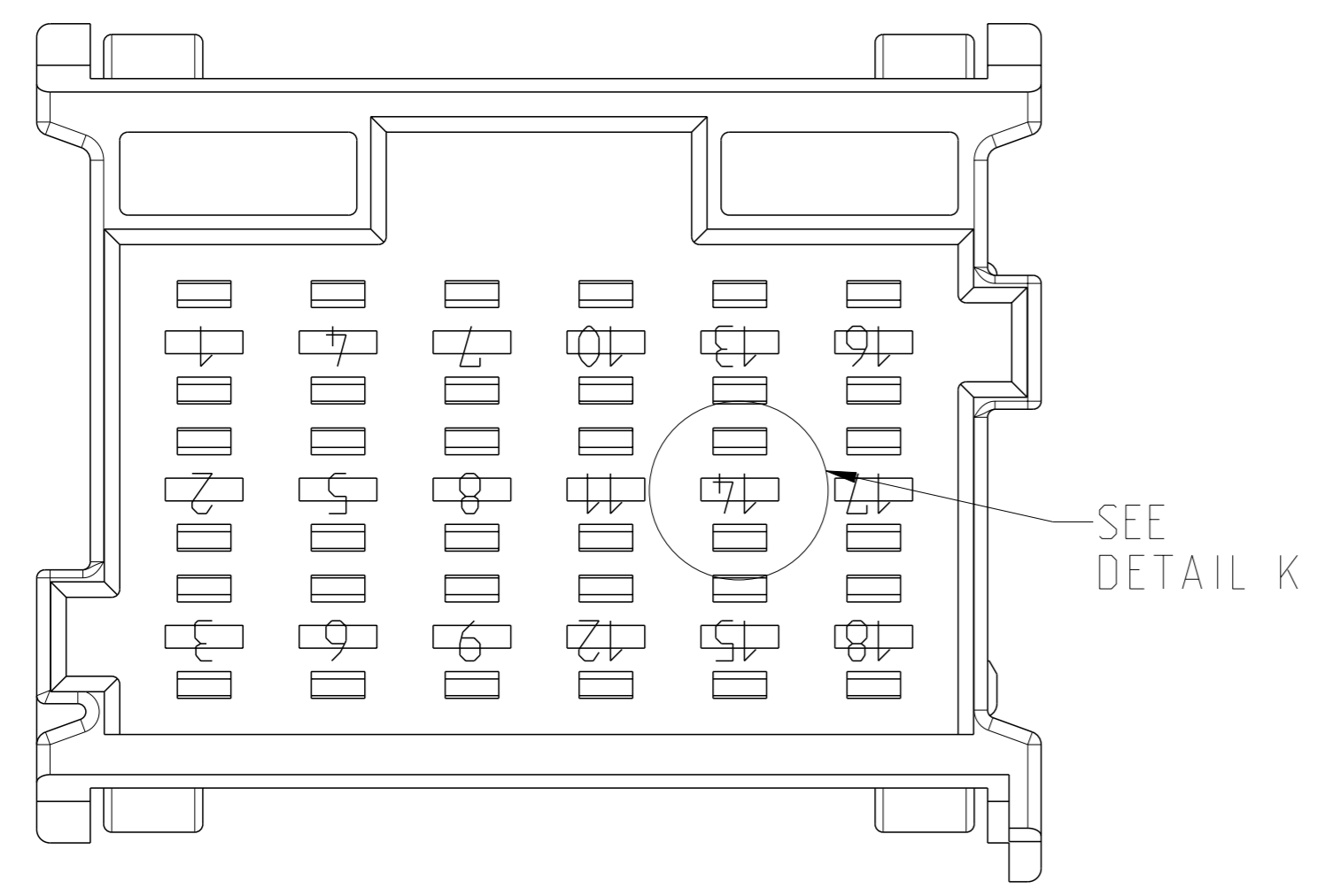
THIS DRAWING IS A CONTROLLED DOCUMENT.

DIMENSIONS:	TOLERANCES UNLESS OTHERWISE SPECIFIED:	OWN: H.XU 04SEPT12	CHK: Z.ZHOU 15NOV12	APVD: W.YUAN 15NOV12	NAME: AMP-MCP 2.8mm TAB HOUSING, 18POS
mm	0 PLC ± 2 M/C ± 3 P/C ± 4 P/C ± ANGLES ±10°	SIZE: 116-101014	WEIGHT: 9.54g	CAGE CODE: 00779	DRAWING NO: 2137352
MATERIAL: SEE TABLE					RESTRICTED TO: -

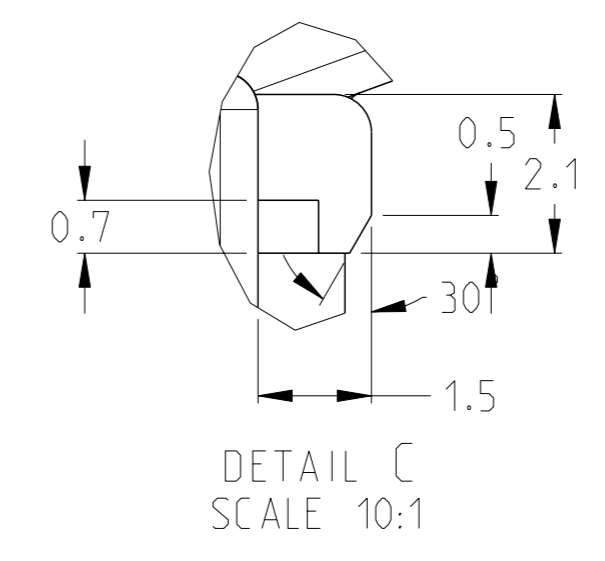
STE TE Connectivity

CUSTOMER DRAWING SCALE 4:1 SHEET 1 OF 2 REV B1

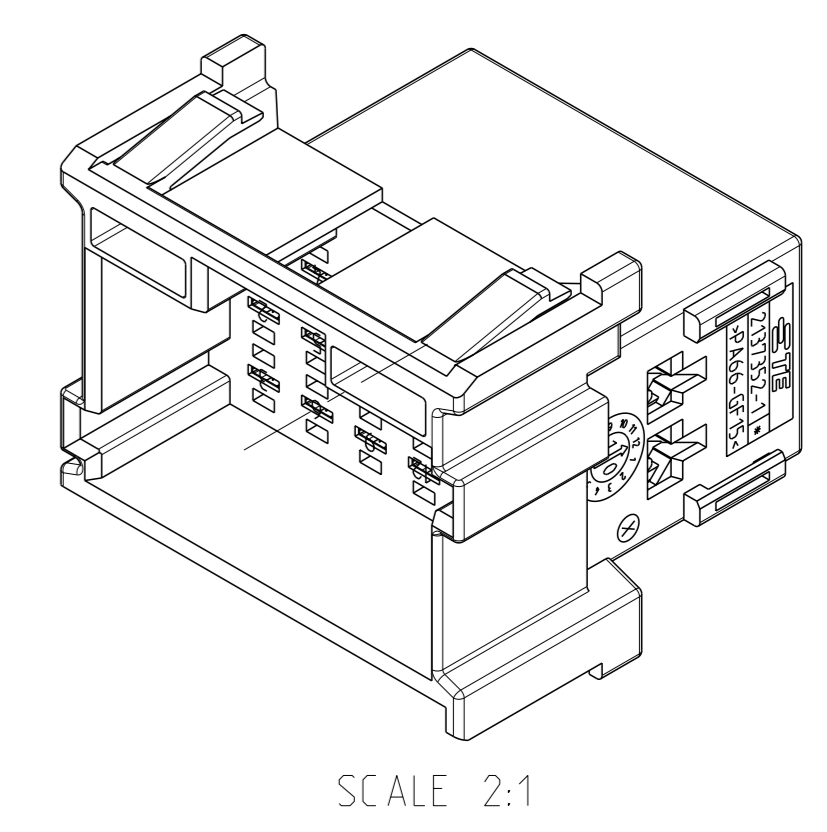
REVISIONS				
REV	DATE	DESCRIPTION	OWN	APVD
-	-	SEE SHEET 1	-	-



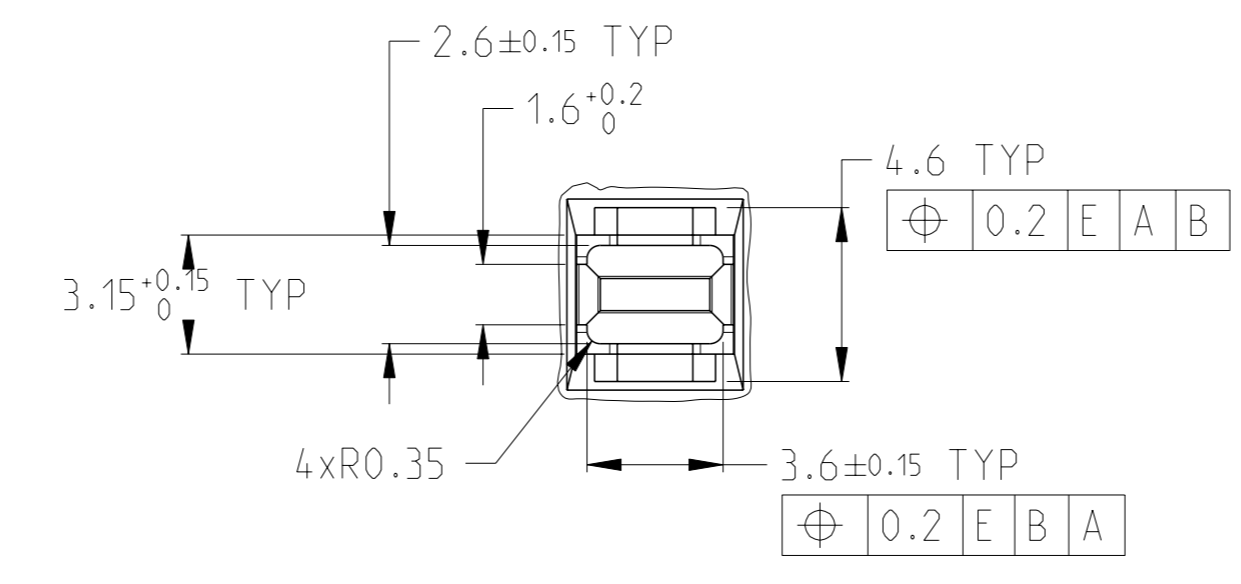
DETAIL K
SCALE 5:1



DETAIL C
SCALE 10:1



SCALE 2:1



DETAIL J
SCALE 5:1

NOTE:

- 1 TE LOGO.
- 2 MAKING DATE.
- 3 PART REVISION. ACTUAL STATUS ACC. TO TABLE
- 4 MATERIAL-MAKING ACCORDING TO VDA 260. EXCHANGEABLE
- 5 CAVITY MARK.
- 6 TE PART NUMBER
- 7 BURRS PERMITTED ≤ 0.2MM
- 8 MAX. WARPAGE PERMITTED AS SHOWN
- 9 BURRS PERMITTED ≤ 0.5MM
- 10 GENERAL TOL: ±0.2

B1

DESCRIPTION	COLOUR	WEIGHT	MATERIAL	TE P/N	PART REV	ITEM NO
TAB HOUSING, 18POS., CODING D	VIOLET	9.54g	PA6-GF15 2136830-1	1--4	A	8
TAB HOUSING, 18POS., CODING C	BLUE	9.54g	PA6-GF15 2136830-1	1--3	A	7
TAB HOUSING, 18POS., CODING B	WHITE	9.54g	PA6-GF15 2136830-1	1--2	A	6
TAB HOUSING, 18POS., CODING A	GREY	9.54g	PA6-GF15 2136830-1	1--1	A	5
TAB HOUSING, 18POS., CODING D	VIOLET	9.54g	PA66-GF15 705248-1	-4	B	4
TAB HOUSING, 18POS., CODING C	BLUE	9.54g	PA66-GF15 705248-1	-3	B	3
TAB HOUSING, 18POS., CODING B	WHITE	9.54g	PA66-GF15 705248-1	-2	B	2
TAB HOUSING, 18POS., CODING A	GREY	9.54g	PA66-GF15 705248-1	-1	B	1

THIS DRAWING IS A CONTROLLED DOCUMENT.		OWN: HL XU 04SEPT12	TE Connectivity	
DIMENSIONS: mm		CHK: Z. ZHOU 15NOV12		
TOLERANCES UNLESS OTHERWISE SPECIFIED:		APVD: W. YUAN 15NOV12	NAME: AMP-MCP 2.8mm TAB HOUSING, 18POS	
0 PLC ±0.1 1 PLD ±0.1 2 P/C ±0.1 3 PLC ±0.1 4 PLD ±0.1 5 P/C ±0.1 6 PLD ±0.1 7 P/C ±0.1 8 PLD ±0.1 9 P/C ±0.1 10 ANGLES ±0.2		PRODUCT SPEC: 108-101234 APPLICATION SPEC: 114-101014 WEIGHT: 9.54g		SIZE: A1 CAGE CODE: 00779 DRAWING NO: 2137352
MATERIAL: SEE TABLE		CUSTOMER DRAWING		RESTRICTED TO: REV B1