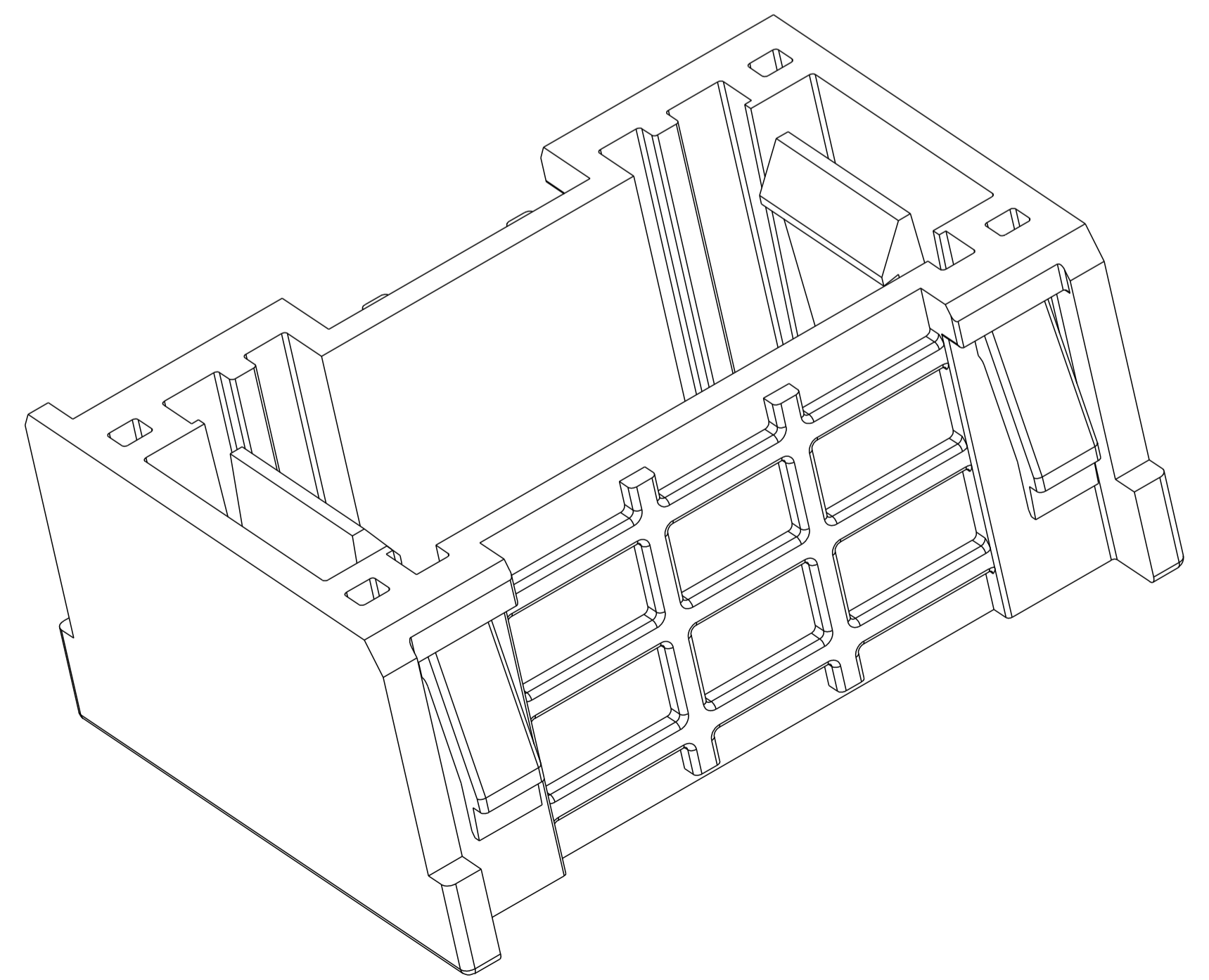
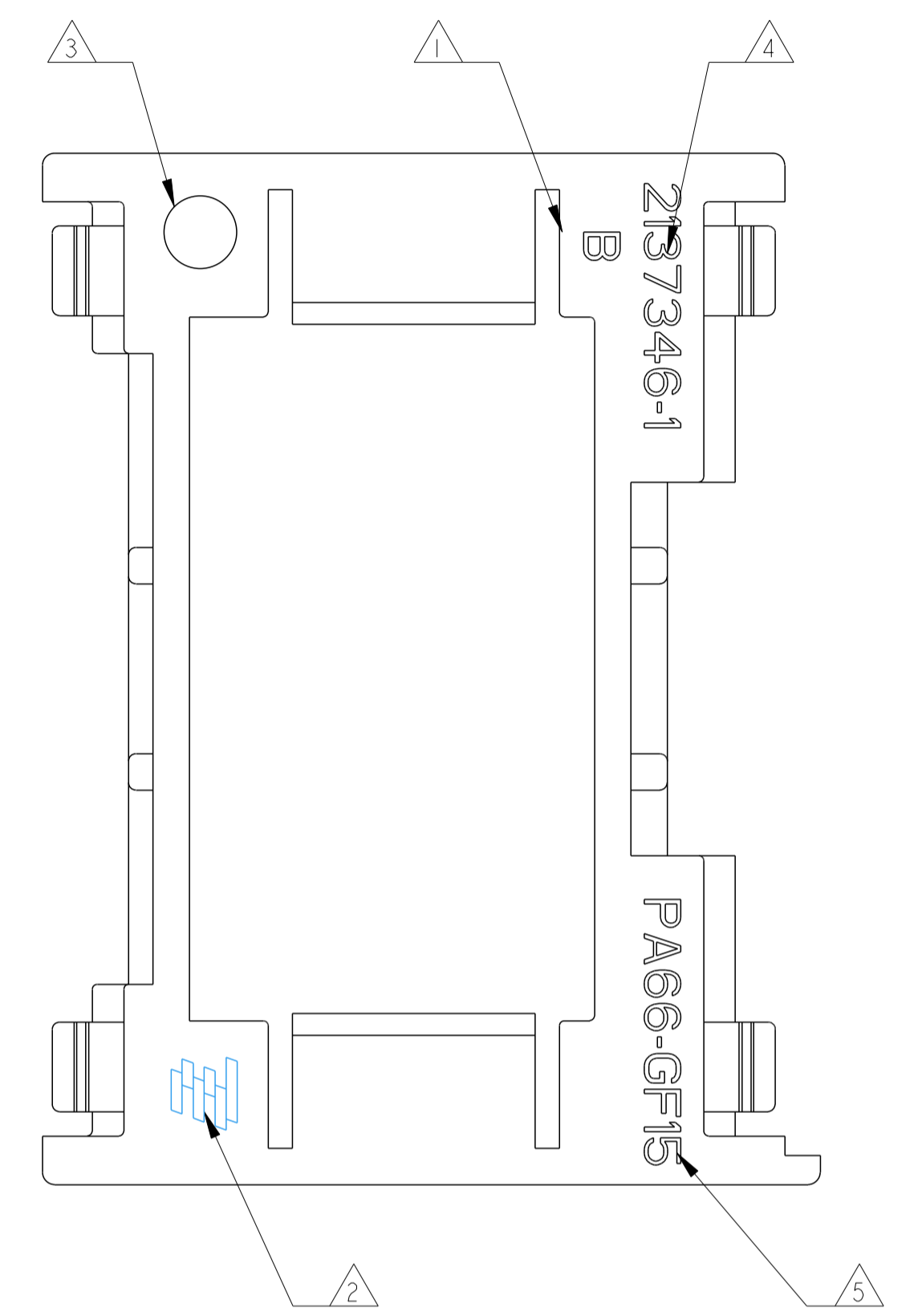
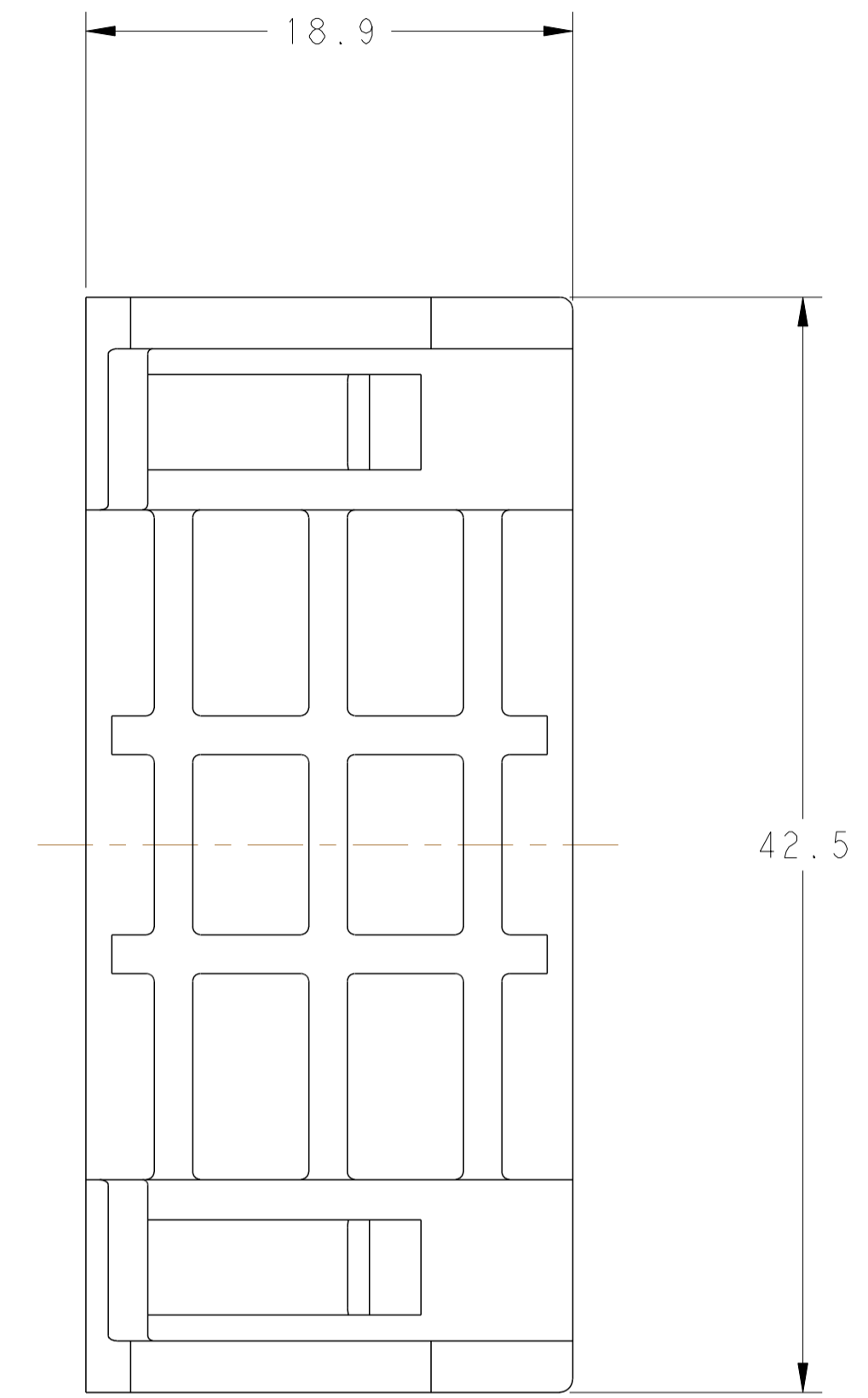
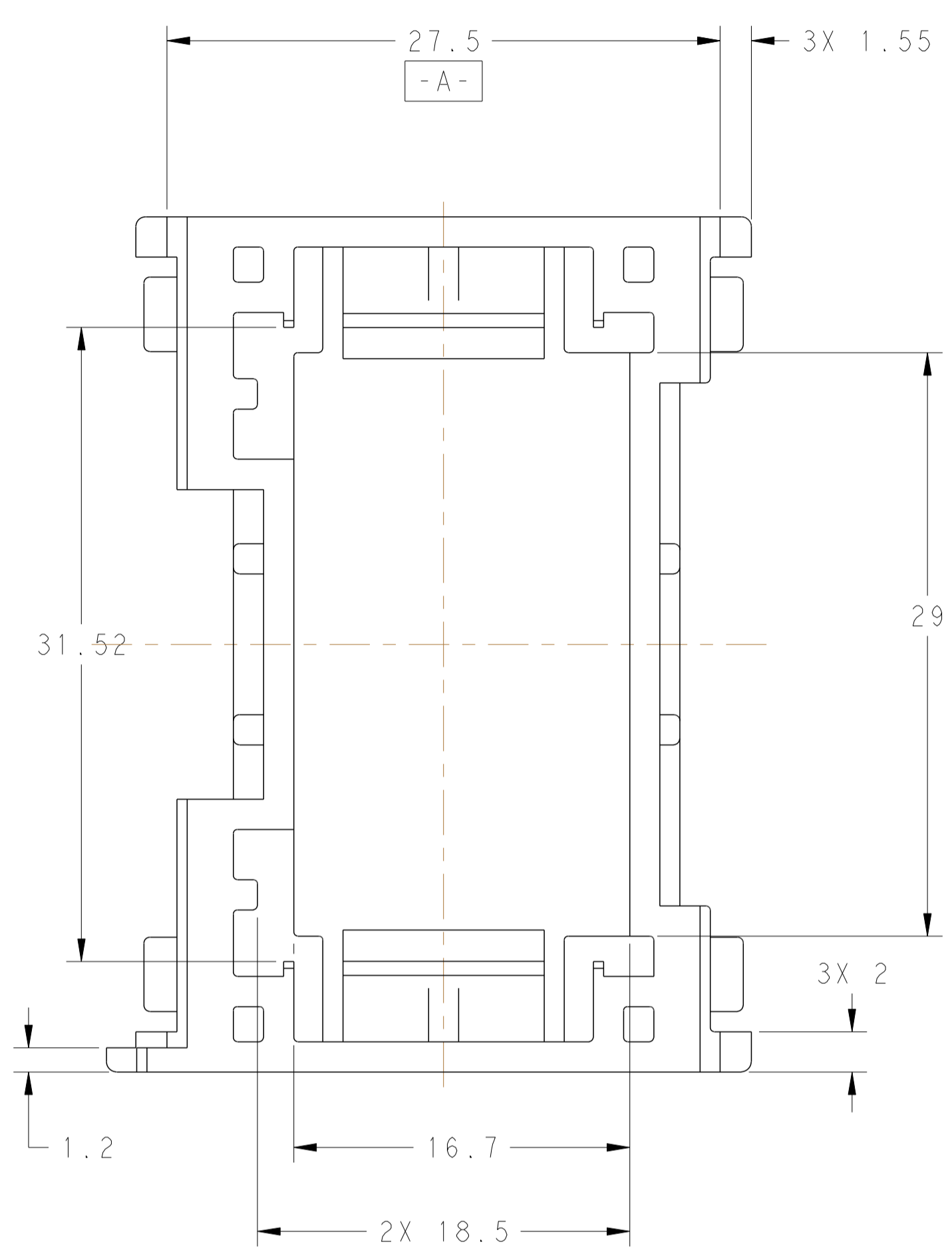


| LOC | | DIST | | REVISIONS | | | | |
|-----|-----|-------------|--------|-----------|------|--|--|--|
| P | LTR | DESCRIPTION | DATE | DWN | APVD | | | |
| A | | RELEASED | 8AUG11 | CZ | WY | | | |
| | | | | | | | | |
| | | | | | | | | |



NOTES:

- ① PART REVISION, EXCHANGABLE.
- ② TE LOGO, 0.2mm RAISED. ACCORDING TO TE P/N 15991-5.
- ③ MANUFACTURING DATE, 0.2mm RAISED, Ø3mm.
- ④ TE P/N, 0.2mm RAISED.
- ⑤ MATERIAL MARK, ACCORDING TO VDA 260, 0.2mm RAISED.
- 6. CHARACTERS HEIGHT 1.5mm, UNLESS OTHER SPECIFIED.

| | | | | |
|--|--|-----------------------------------|--------|--|
| THIS DRAWING IS A CONTROLLED DOCUMENT. | | DWN C. ZHAO | 8AUG11 | STE TE Connectivity |
| DIMENSIONS: mm | | CHK W. YUAN | 8AUG11 | |
| TOLERANCES UNLESS OTHERWISE SPECIFIED: ±0.3 | | APVD W. YUAN | 8AUG11 | NAME HOUSING HOLDER 6P FASTIN-FASTON TAB HSG |
| 1. PLC ±0.5 | | PRODUCT SPEC 108-101175 | | SIZE A1 |
| 2. PLC ±0.13 | | APPLICATION SPEC | | CAGE CODE C=2137346 |
| 3. PLC ±0.01 | | MATERIAL PA66-GF15 705355-3 | | DRAWING NO. CUSTOMER DRAWING |
| 4. PLC ±0.0001 | | SCALE 4:1 | | SHEET 1 OF 1 |
| ANGLES ±0.0001 | | REV A | | |