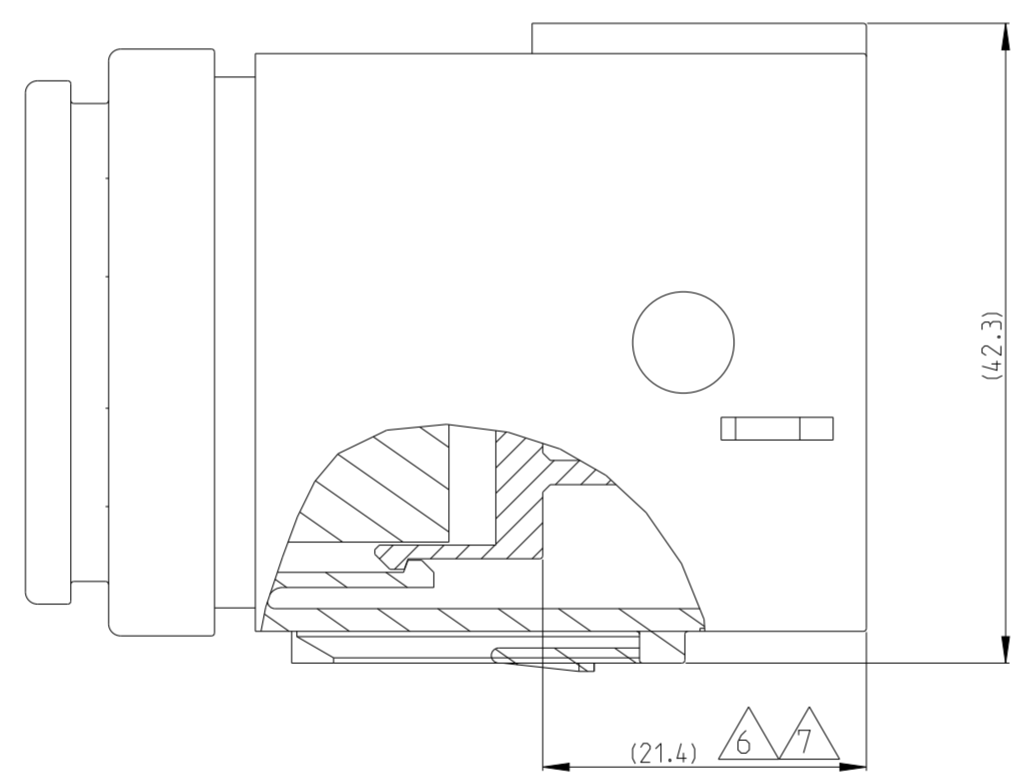
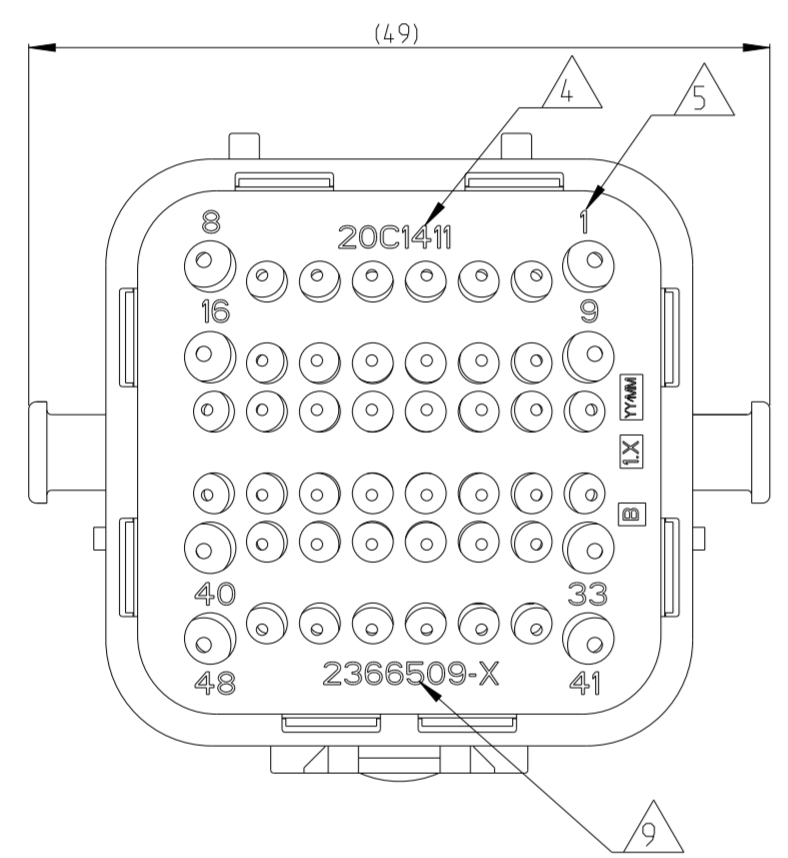
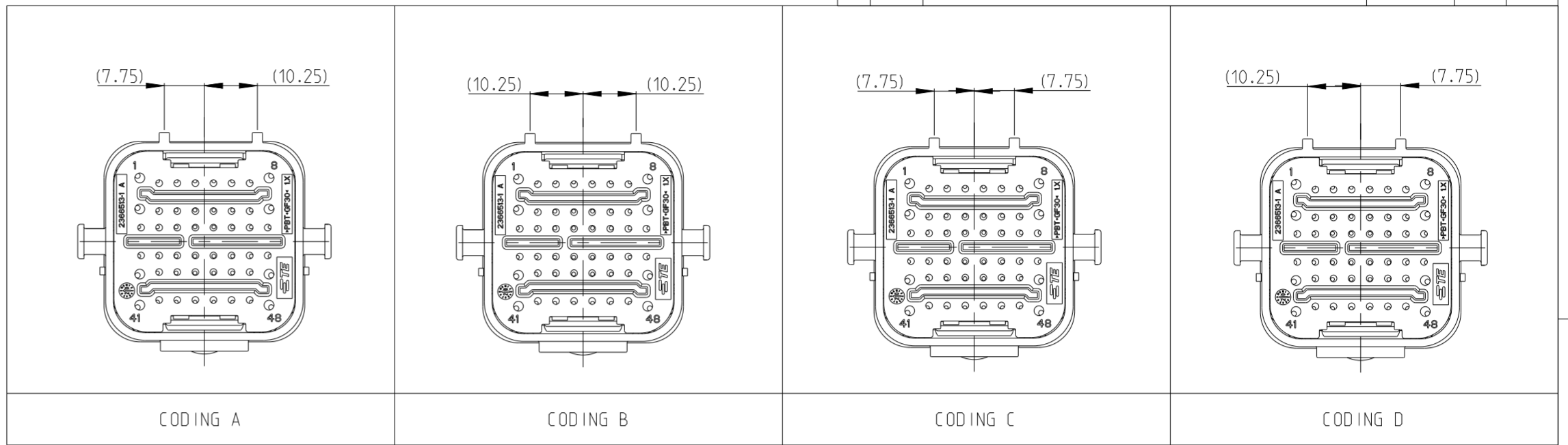
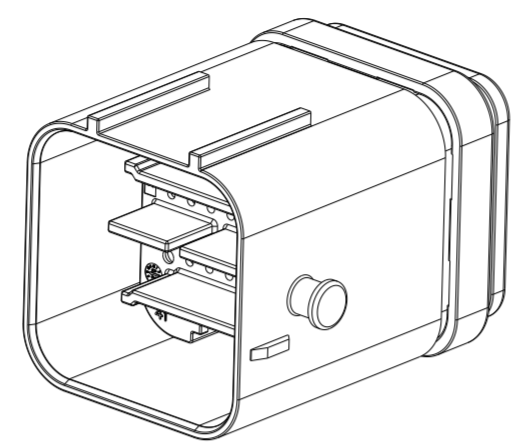
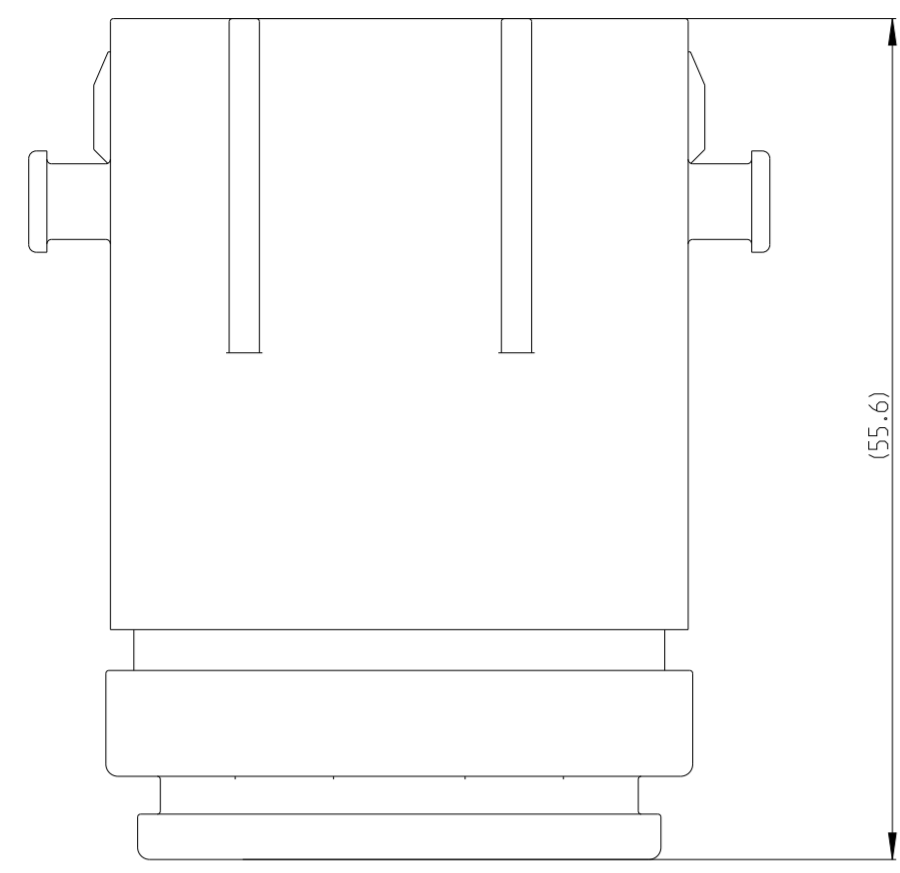


THIS DRAWING IS UNPUBLISHED. RELEASED FOR PUBLICATION 20
 © COPYRIGHT 20 BY - ALL RIGHTS RESERVED.

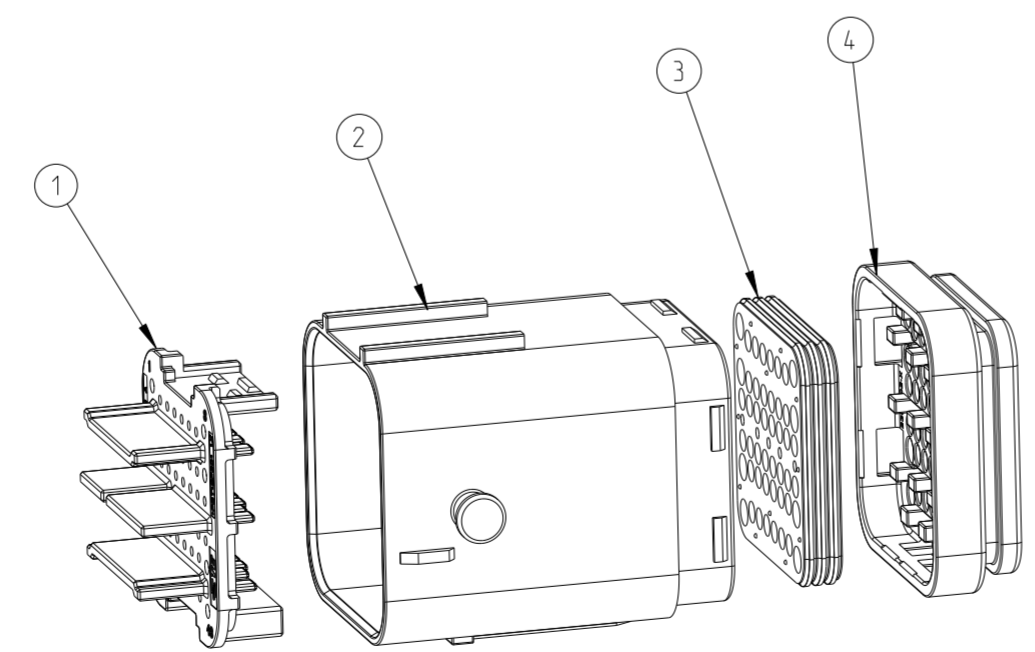
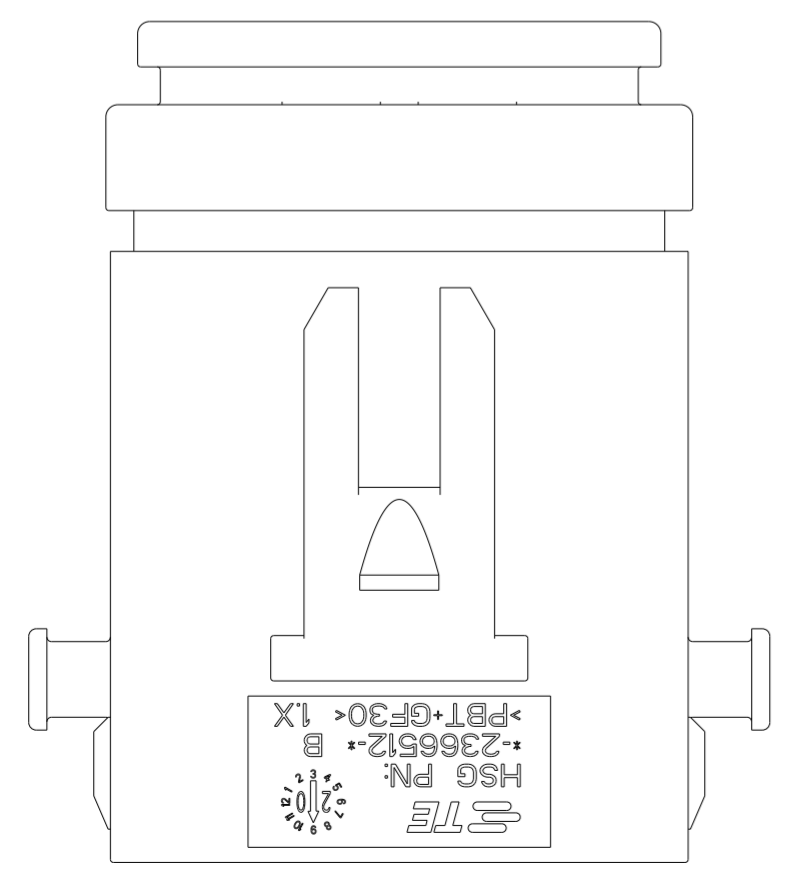
P	LTR	DESCRIPTION	DATE	DWN	APVD
A		RELEASED	05MAR2020	X.L	I.Y
A1		SEE ECR-21-000027	04 JAN2021	L.G	I.Y
B		SEE ECR-21-002821	16MAR2021	L.G	I.Y
B1		ECN-21-127853	24NOV2021	L.G	Z.Z



- THIS TAB HOUSING MATES WITH PLUG ASSEMBLY PN 2366494-X. (X=1, 2, 3, 4 FOR VARIOUS CODE).
- FOR FLANGE VERSION, NEED MATE WITH FIX RING PN 2366517-X. RECOMMENDED WALL INTERFACE SEE CUSTOMER DRAWING 2366517.
- MATERIAL SEE TABLE
- DATE CODE: IDENTIFIES THE YEAR, MONTH, DAY AND HOUR OF ASSEMBLY.
 YEAR: FIRST AND SECOND DIGITS(20=2020)
 MONTH: THIRD DIGIT, EXCLUDING I, A=JAN, B=FEB, C=MARCH...(K=OCTOBER)
 DAY: FOURTH AND FIFTH DIGITS(14=14th DAY)
 HOUR: SIXTH AND SEVENTH DIGITS(11=11AM)
- IDENTIFICATION FOR CABLE PINOUT.
- TPA SEATED ON PRE-LOCK POSITION FOR DELIVERY.
- PULL TPA TO PRE-LOCK BEFORE TERMINAL INSERTION IN CASE OF TPA BEING HIT TO END-LOCK POSITION.
- REFER TO 114-151001 FOR DT SIZE 16 TERMINAL APPLICATION SPECIFICATION. REFER TO 114-151003 FOR DT SIZE 20 TERMINAL APPLICATION SPECIFICATION. APPLICABLE TERMINAL PART NUMBERS AND WIRE SIZE:

TERMINAL PN	WIRE SIZE (MM2)	INSULATION WIRE (MM2)	PIOUT NUMBER
16#	1.0-2.5	∅1.9-∅3.0	1,8,9,16,33,40,41,48
20#	0.5-1.5	∅1.4-∅2.4	OTHER PINS

- LASER PRODUCT PN. SUCH AS "--1" MEANS 2366509-1, "2--1" MEANS 2-2366509-1.
- REFER TO DRAWING 2373921 FOR APPLICABLE PART NO. OF SEALING PLUG.



1	-	-	-	BLUE	PBT-GF30	REAR CAP	4			
-	1	-	-	GREEN						
-	-	1	-	GREY	PBT-GF30	HOUSING CODING D HOUSING CODING C HOUSING CODING B HOUSING CODING A	2			
-	-	-	1	BLACK						
1	1	1	1	RUST RED				VMQ	GROMMET	3
1	-	-	-	BLUE						
-	1	-	-	GREEN	PBT-GF30	TPA	1			
-	-	1	-	GREY						
-	-	-	1	BLACK	PBT-GF30	TPA	1			
1	1	1	1	YELLOW	PBT-GF30	TPA	1			
QTY. REQUEST PER ASSY				COLOR	MATERIAL	DESCRIPTION	ITEM NO			
A	A	A	A	REVISION OF EACH ASSY PN						
--4	--3	--2	--1	TE ASSEMBLY PN						

THIS DRAWING IS A CONTROLLED DOCUMENT.

DWN: X.LI 19FEB2020
 CHK: W.WU 02MAR2020
 APVD: J.YIN 05MAR2020

STE TE Connectivity

NAME: NTS 48P TAB HSG ASSEMBLY

PRODUCT SPEC: 108-101662

APPLICATION SPEC: -

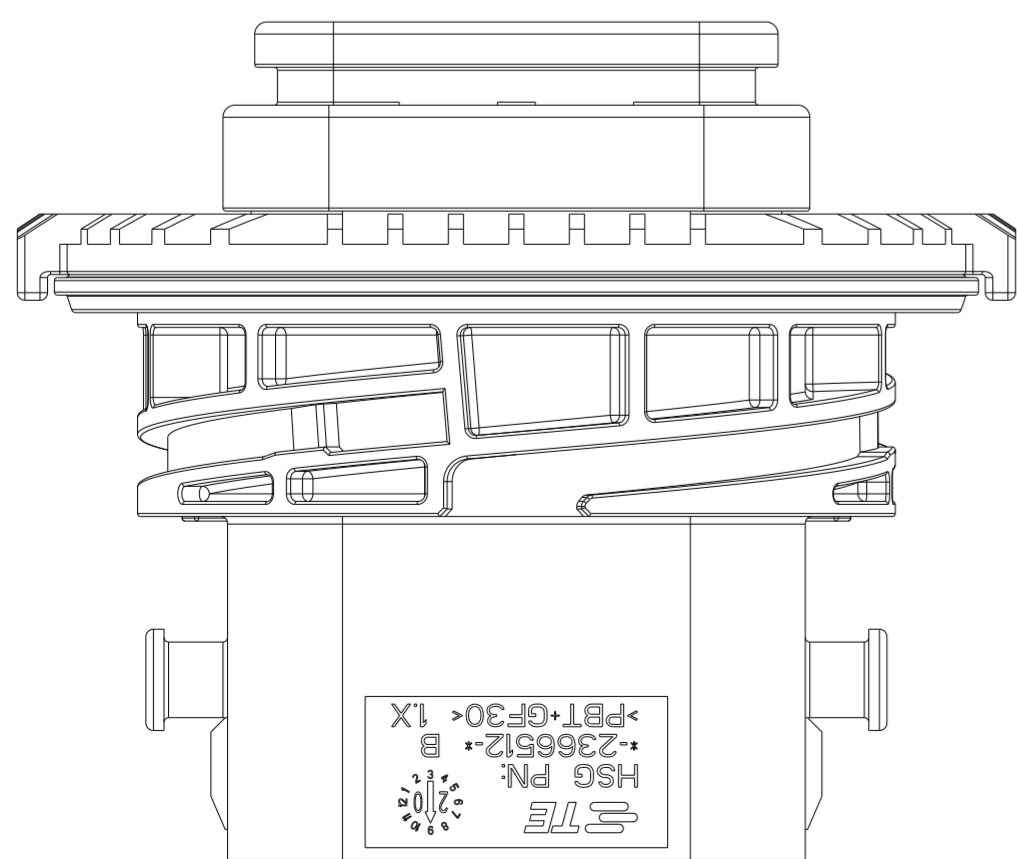
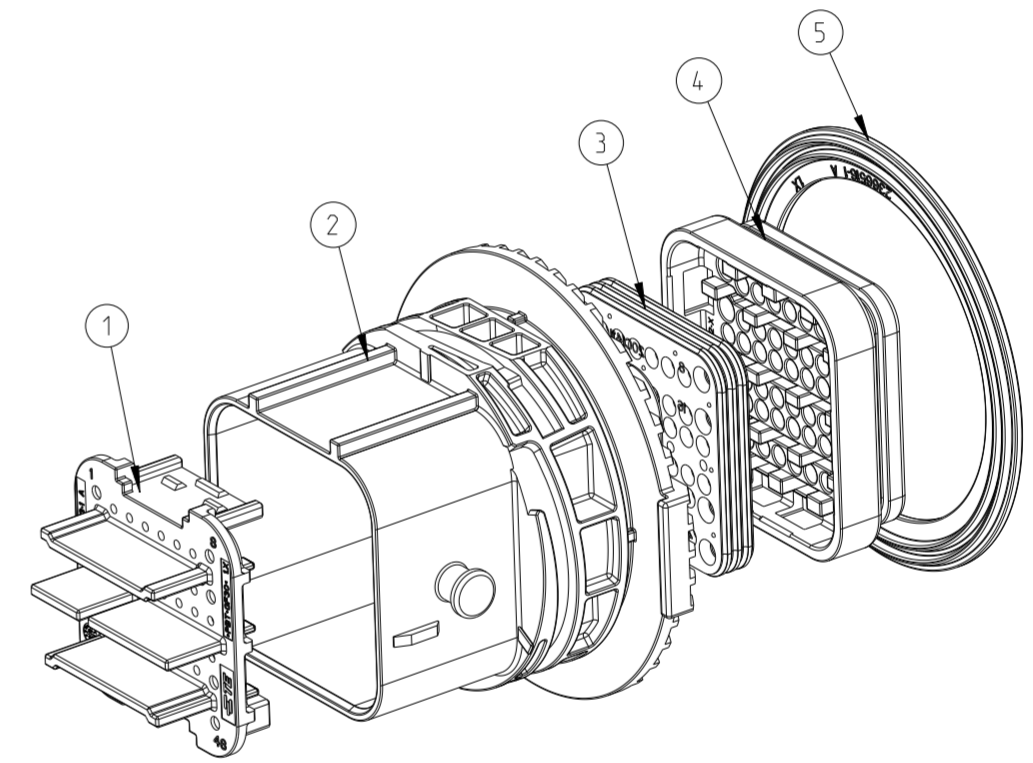
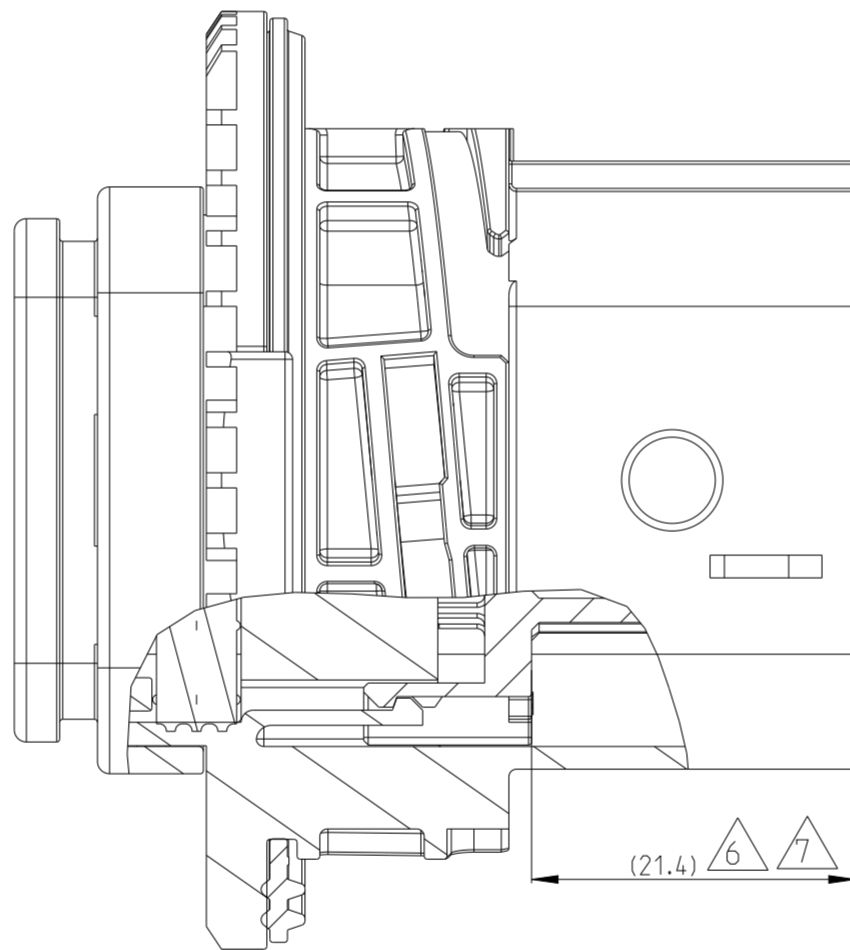
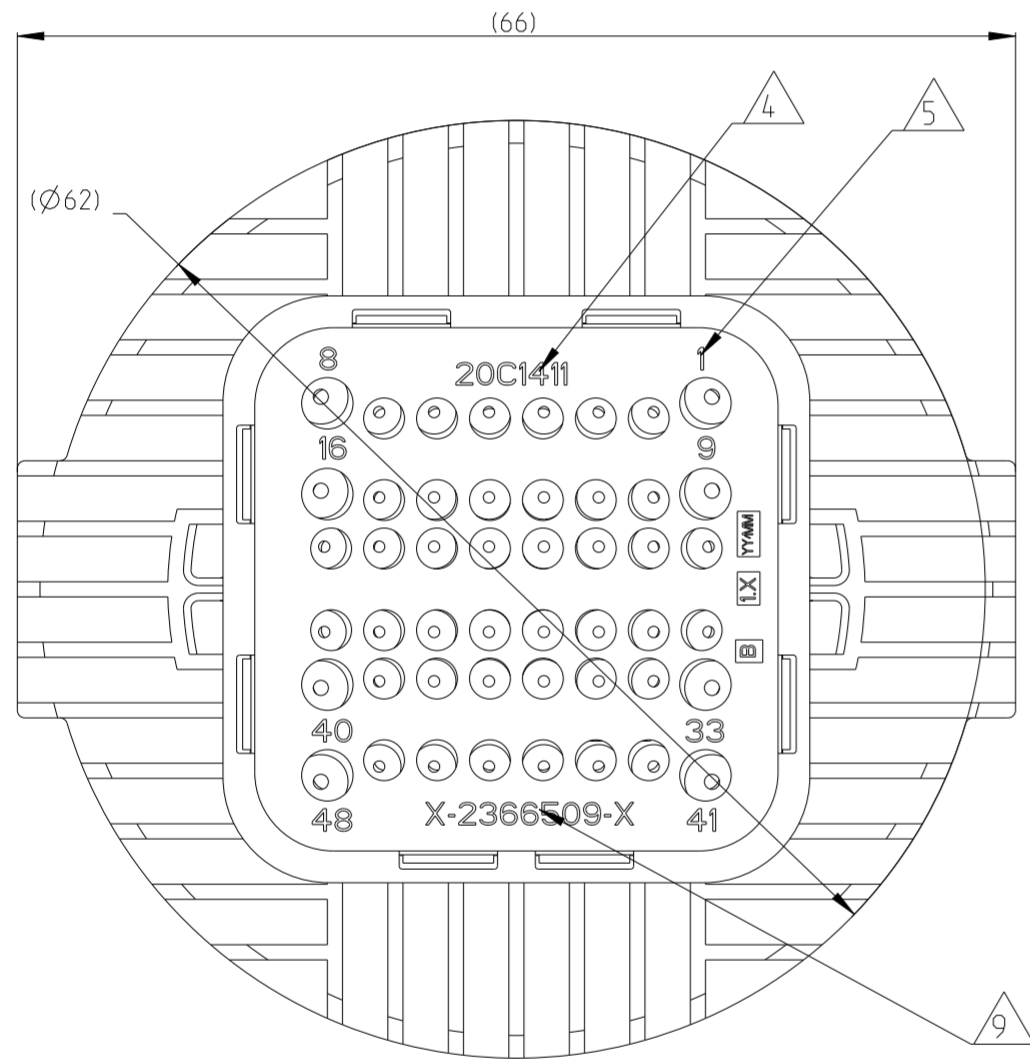
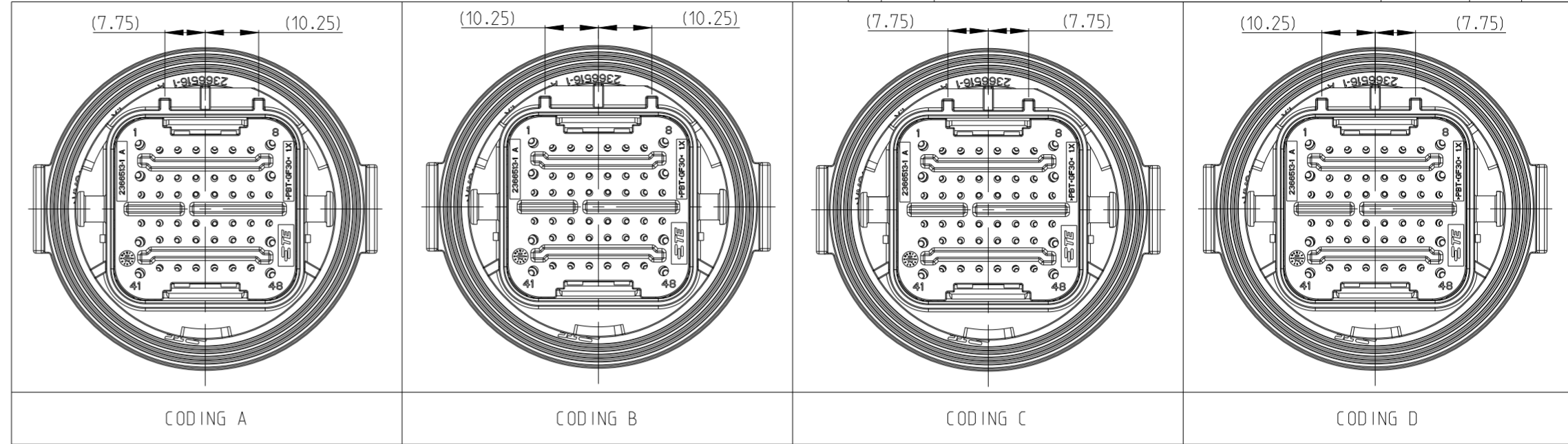
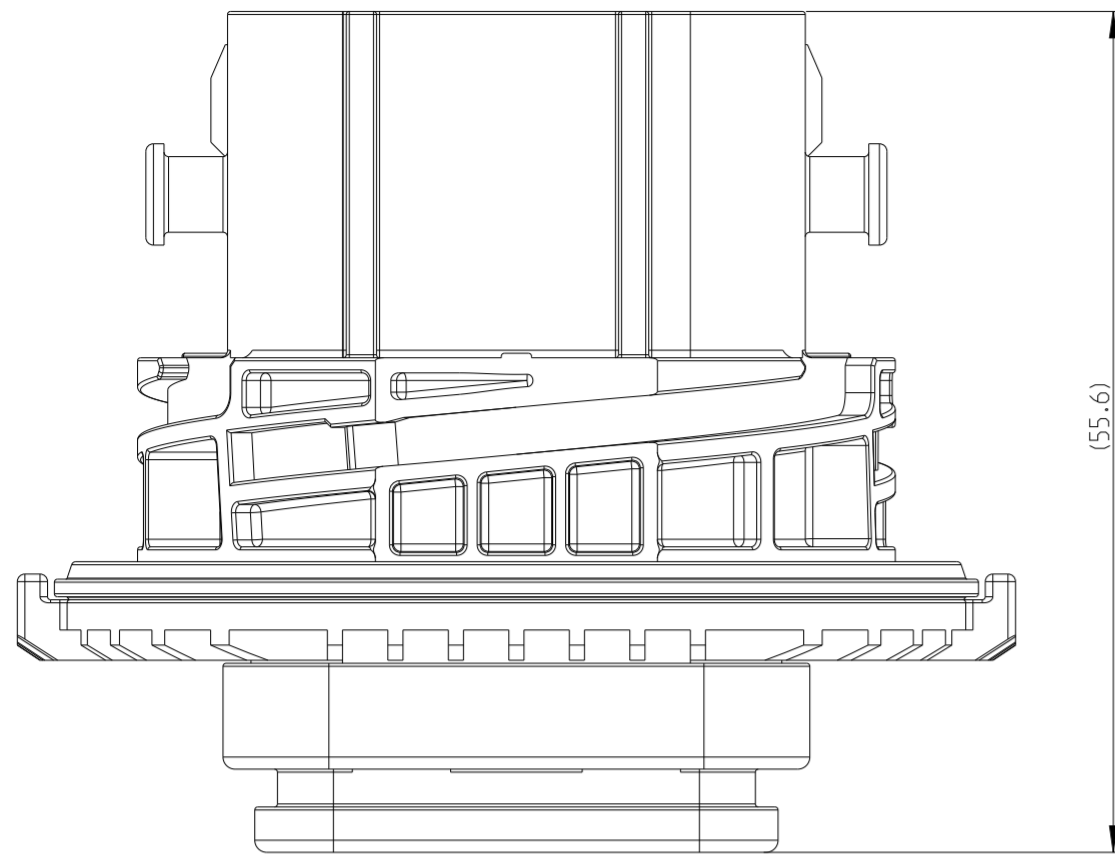
SIZE: A2 CAGE CODE: - DRAWING NO: C-2366509 RESTRICTED TO: -

WEIGHT: -

CUSTOMER DRAWING SCALE: 1:1 SHEET: 1 OF 2 REV: B1

THIS DRAWING IS UNPUBLISHED. RELEASED FOR PUBLICATION 20
 © COPYRIGHT 20 BY - ALL RIGHTS RESERVED.

REVISIONS				
P	LTR	DESCRIPTION	DATE	APVD
-	-	SEE SHEET 1	-	-



QTY.	REQUEST PER ASSY	COLOR	MATERIAL	DESCRIPTION	ITEM NO
1	1	1	1	RUST RED VMQ FACIAL SEAL	5
1	-	-	-	BLUE PBT-GF30 REAR CAP	4
-	1	-	-	GREEN PBT-GF30	2
-	-	1	-	GREY PBT-GF30 HOUSING CODING B	
-	-	-	1	BLACK PBT-GF30 HOUSING CODING A	
1	1	1	1	RUST RED VMQ GROMMET	
1	-	-	-	BLUE PBT-GF30 HOUSING CODING D	2
-	1	-	-	GREEN PBT-GF30 HOUSING CODING C	
-	-	1	-	GREY PBT-GF30 HOUSING CODING B	
-	-	-	1	BLACK PBT-GF30 HOUSING CODING A	1
1	1	1	1	YELLOW PBT-GF30 TPA	
QTY. REQUEST PER ASSY				REVISION OF EACH ASSY PN	ITEM NO
A	A	A	A	TE ASSEMBLY PN	
2--4	2--3	2--2	2--1	TE ASSEMBLY PN	

THIS DRAWING IS A CONTROLLED DOCUMENT.

DIMENSIONS: mm	TOLERANCES UNLESS OTHERWISE SPECIFIED:	DWN X.LI 19FEB2020	 TE Connectivity
	0 PLC ±	CHK W.WU 02MAR2020	
	1 PLC ±	APVD J.YIN 05MAR2020	
	2 PLC ±	PRODUCT SPEC 108-101662	
MATERIAL SEE TABLE	4 PLC ±	APPLICATION SPEC	NAME NTS 48P TAB HSG ASSEMBLY
	ANGLES ±	WEIGHT -	SIZE A2
	FINISH -	CUSTOMER DRAWING	CAGE CODE -
		SCALE 1:1	DRAWING NO C-2366509
		SHEET 2 OF 2	RESTRICTED TO -
		REV B1	