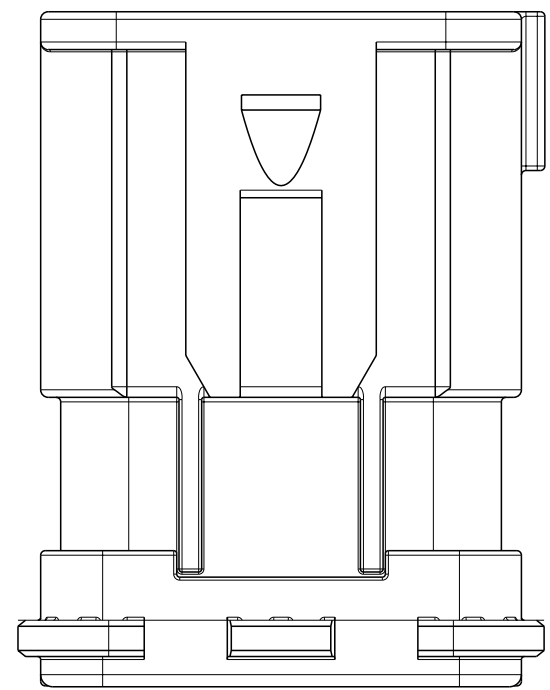
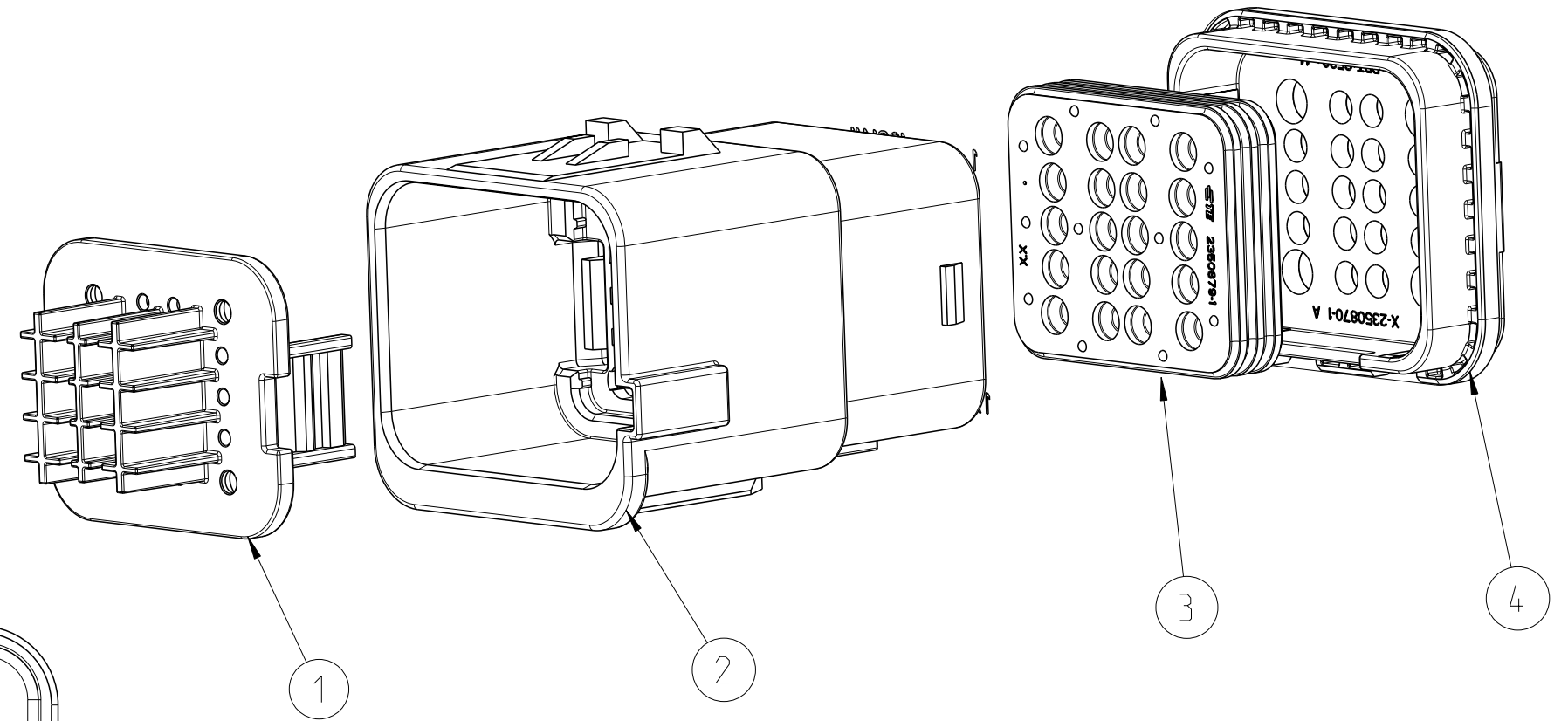
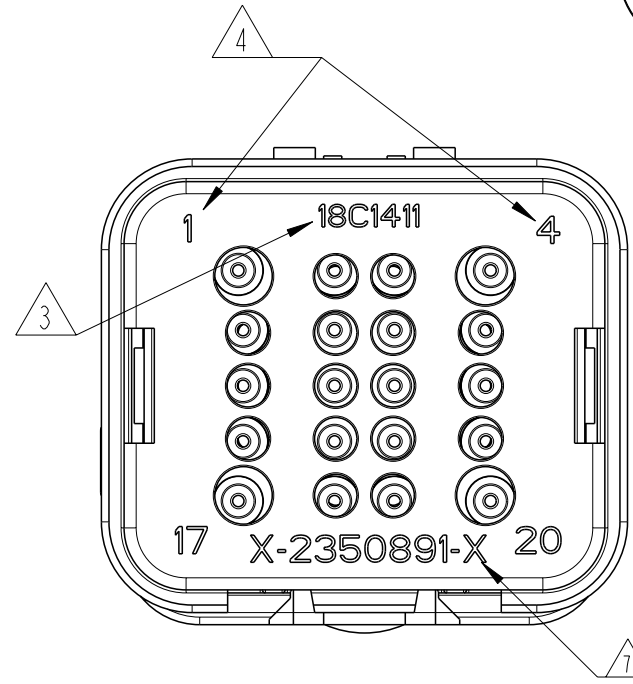
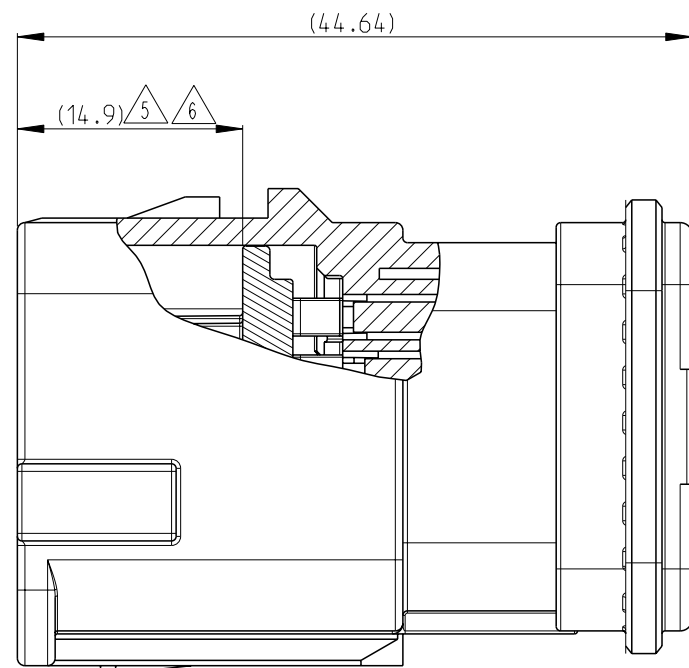
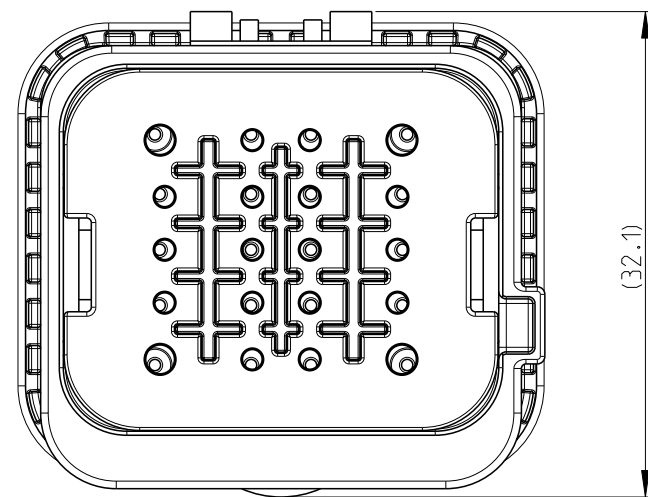
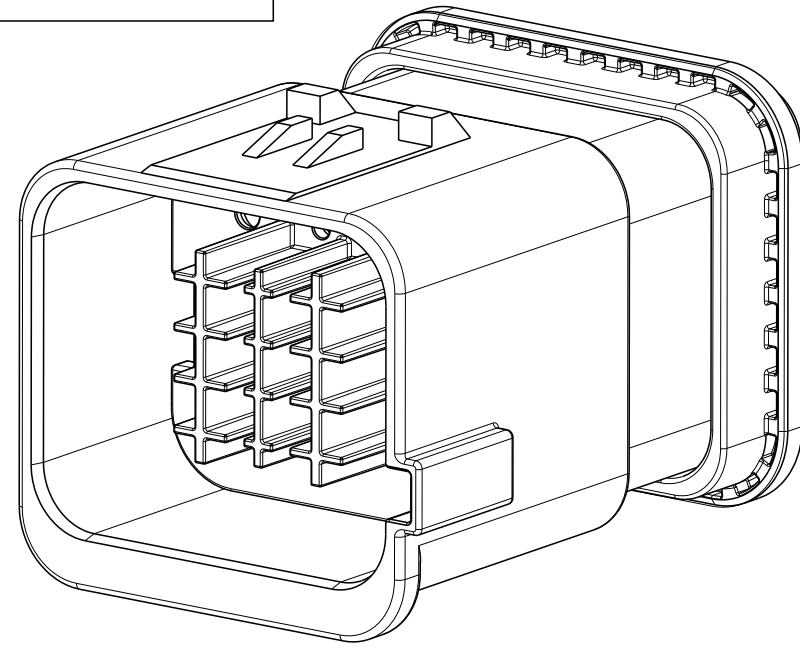
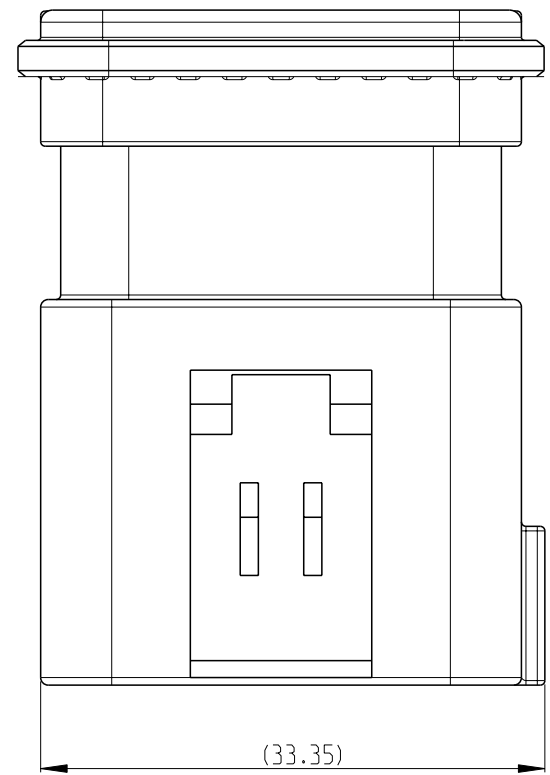


THIS DRAWING IS UNPUBLISHED. RELEASED FOR PUBLICATION
 © COPYRIGHT copyright_date BY - ALL RIGHTS RESERVED.

REVISIONS					
P	LTR	DESCRIPTION	DATE	DWN	APVD
A		INITIAL RELEASE	28MAR2019	C.W	I.Y
A1		ECR-20-000774	16JAN2020	C.W	E.J
A2		SEE ECR-21-003354	19MAR2021	L.G	I.Y



NOTES:

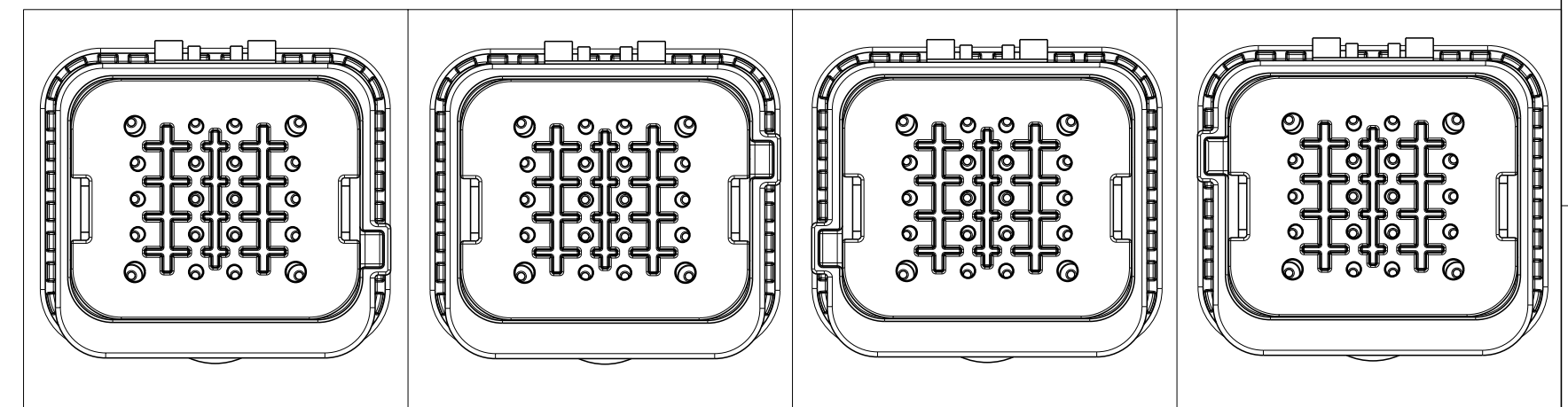
- THIS PLUG MATES WITH TAB HOUSING ASSEMBLY PN 2350890-X, 1-2350890-X (X=1, 2, 3, 4 FOR VARIOUS CODE).
- MATERIAL: HOUSING: PBT GF30, SEE PN TABLE FOR COLOR
 TPA: PBT GF30, YELLOW
 FRONT SEAL: VMQ(ORANGE)
 GROMMET:VMQ(RED)
 REAR CAP: PBT GF30, BLACK

- ⚠ DATE CODE: IDENTIFIES THE YEAR, MONTH, DAY AND HOUR OF ASSEMBLY.
 YEAR: FIRST AND SECOND DIGITS(17=2017)
 MONTH: THIRD DIGIT , EXCLUDING 1 . A=JAN, B=FEB, C=MARCH...(K=OCTOBER)
 DAY: FOURTH AND FIFTH DIGITS(14=14th DAY)
 HOUR: SIXTH AND SEVENTH DIGITS(11=11AM)
- ⚠ IDENTIFICATION FOR CABLE PINOUT.
- ⚠ TPA SEATED ON PRE-LOCK POSITION FOR DELIVERY.
- ⚠ PULL TPA TO PRE-LOCK BEFORE TERMINAL INSERTION IN CASE OF TPA BEING HIT TO END-LOCK POSITION.
- ⚠ PART NO.

- REFER TO 114-151001 FOR DT SIZE 16 TERMINAL APPLICATION SPECIFICATION.
 REFER TO 114-151003 FOR DT SIZE 20 TERMINAL APPLICATION SPECIFICATION.
 APPLICABLE TERMINAL PART NUMBERS AND WIRE SIZE:

TERMINAL PN	WIRE SIZE (MM2)	INSULATION WIRES(MM)	PINOUT NUMBER
16#	0.5~2.5	∅1.40~∅3.00	1, 4, 17, 20
20#	0.5~1.5	∅1.40~∅2.40	OTHER PINS

- 1-2350891-1/1-2350891-2/1-2350891-3/1-2350891-4 IS ASSEMBLED WITH SUPPORT CUSTION ONLY FOR VIBRATION ENHANCEMENT(UNSEAL APPLICATION ON PANEL CUTOUT)
- 2-2350891-1/2-2350891-2/2-2350891-3/2-2350891-4 IS ASSEMBLED WITH FACIAL SEAL FOR VIBRATION AND SEAL APPLICATION ON PANEL CUTOUT



CODING A PN:2350891-1		CODING B PN:2350891-2		CODING C PN:2350891-3		CODING D PN:2350891-4	
1	-	-	-	BLUE	PBT-GF30	REAR CAP	4
-	1	-	-	GREEN			
-	-	1	-	GRAY			
-	-	-	1	BLACK			
1	1	1	1	RED	VMQ	GROMMET	3
1	-	-	-	BLUE	PBT-GF30	HOUSING, CODE D	2
-	1	-	-	GREEN	PBT-GF30	HOUSING, CODE C	
-	-	1	-	GRAY	PBT-GF30	HOUSING, CODE B	
-	-	-	1	BLACK	PBT-GF30	HOUSING, CODE A	
1	1	1	1	YELLOW	PBT-GF30	TPA	1
QTY. REQUEST PER ASSY				COLOR	MATERIAL	DESCRIPTION	ITEM NO
27.8	27.8	27.8	27.8	WEIGHT OF EACH ASSY(g)			
A	A	A	A	REVISION OF EACH ASSY NO.			
2350891-4	2350891-3	2350891-2	2350891-1	TE ASSEMBLY PN			

THIS DRAWING IS A CONTROLLED DOCUMENT.

DWN: C.WAN 02MAR2019
 CHK: E.JIANG 28MAR2019
 APVD: J.LIYIN 02MAR2019

NAME: NTS 20POS TAB HOUSING ASSEMBLY DEUTSCH TERMINAL HYBRID CONNECTOR

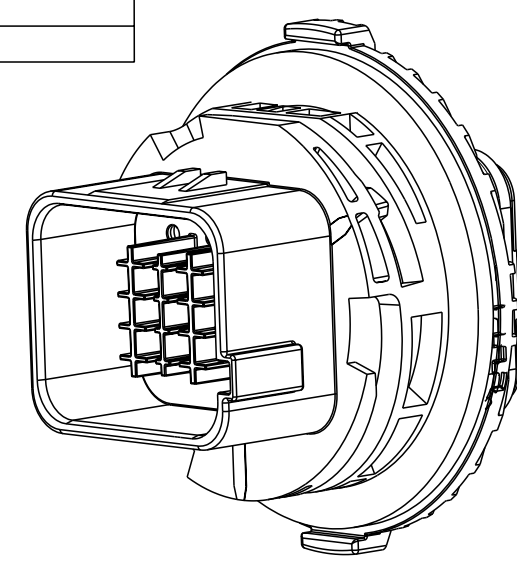
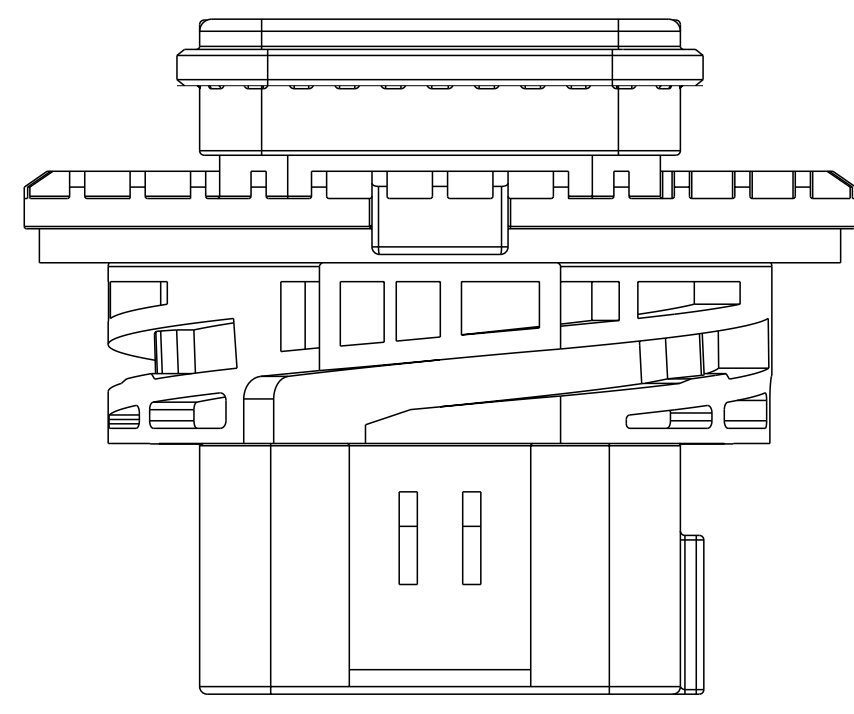
SIZE: A2 CAGE CODE: 00779 DRAWING NO: C-2350891 RESTRICTED TO: -

SCALE: 2:1 SHEET: 1 OF 2 REV: A2

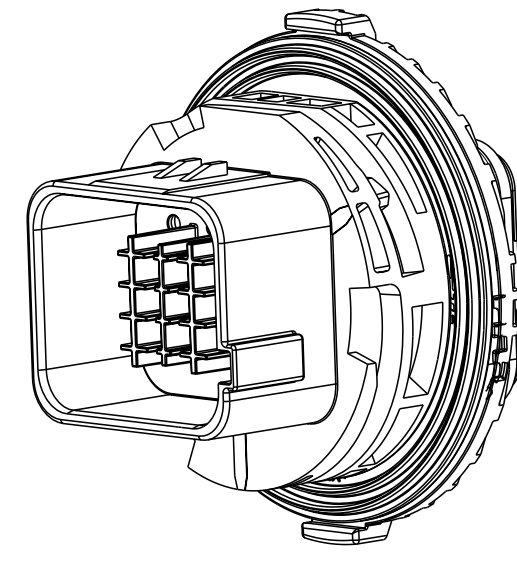
printed on 19 Mar 2021 10:52 (China Standard Time) from TE426590

THIS DRAWING IS UNPUBLISHED. RELEASED FOR PUBLICATION
COPYRIGHT copyright_date BY - ALL RIGHTS RESERVED.

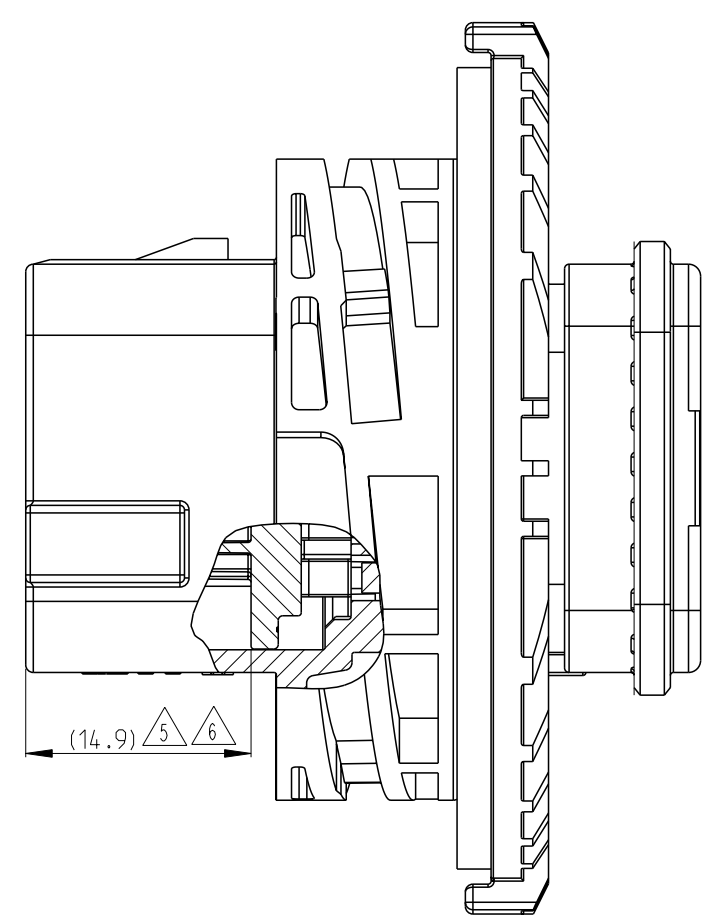
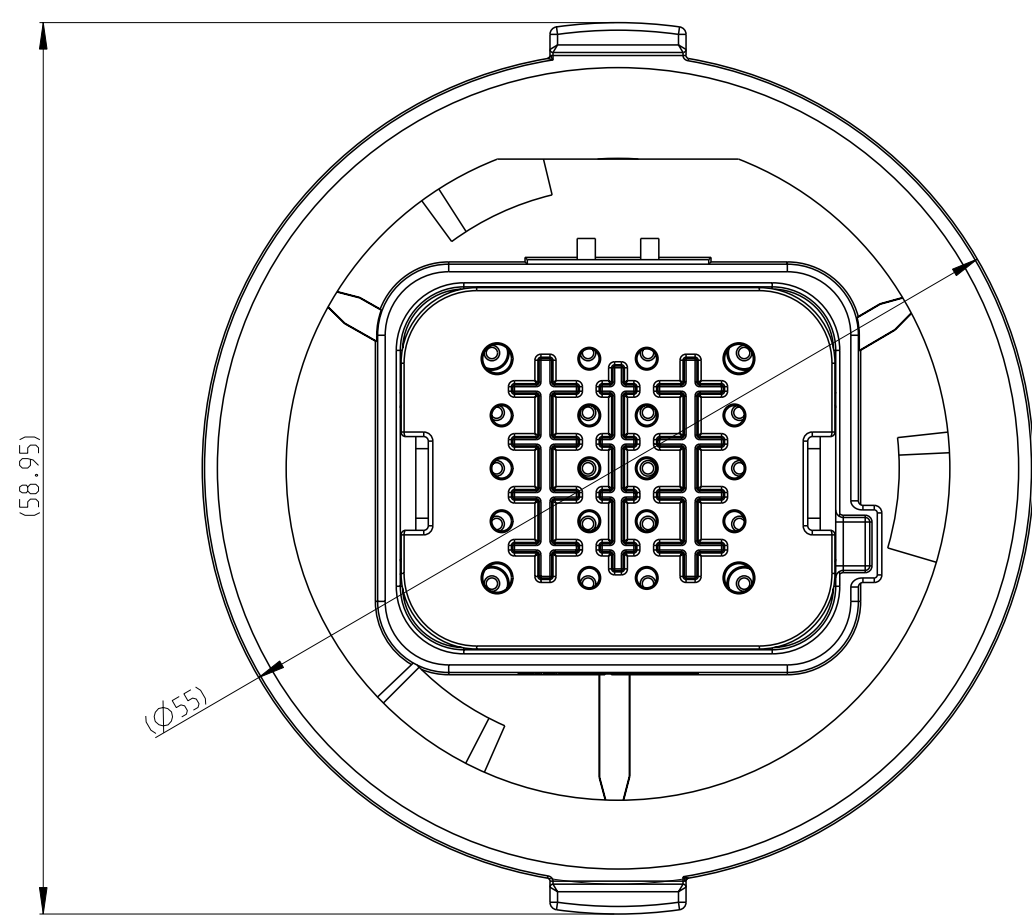
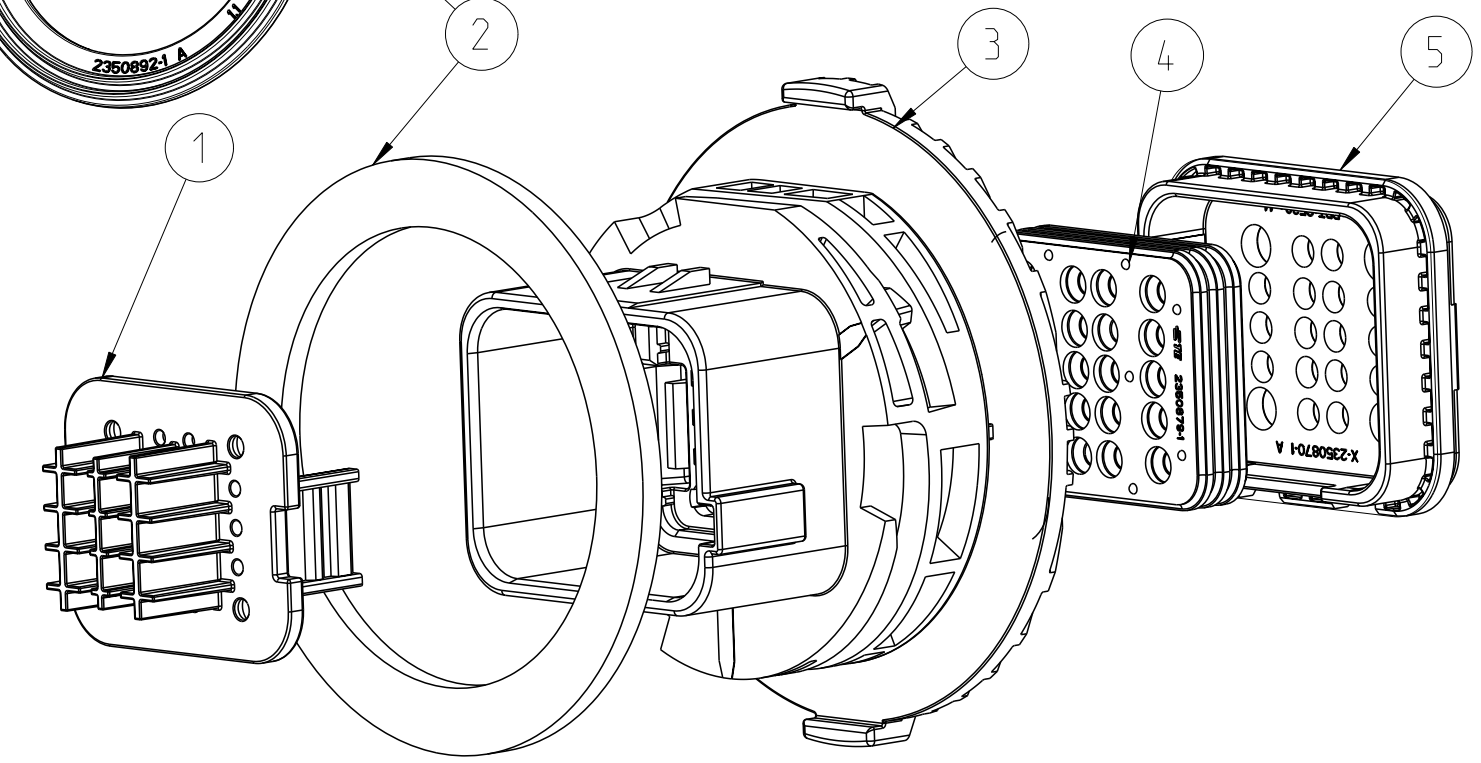
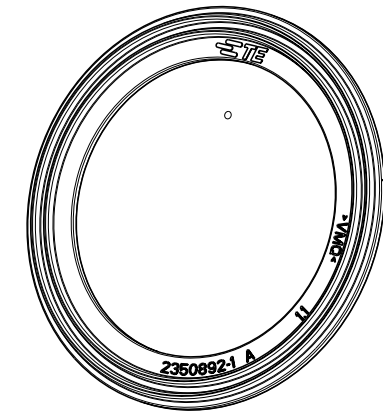
REVISIONS				
P	LTR	DESCRIPTION	DATE	APVD
		SEE SHEET 1		



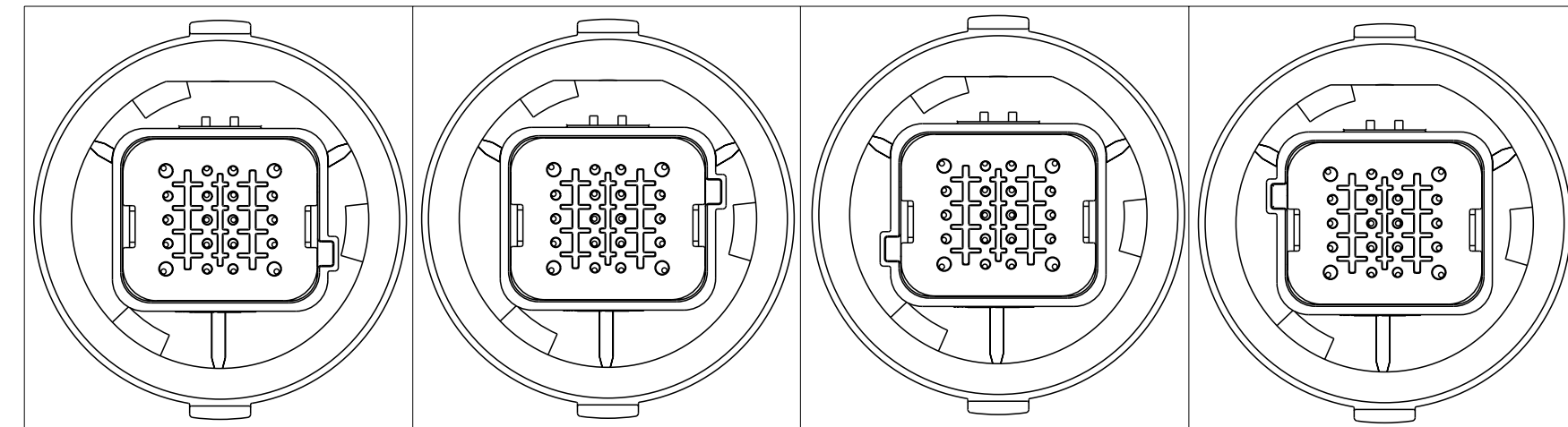
CUSHION VERSION
 1-2350891-1
 1-2350891-2
 1-2350891-3
 1-2350891-4



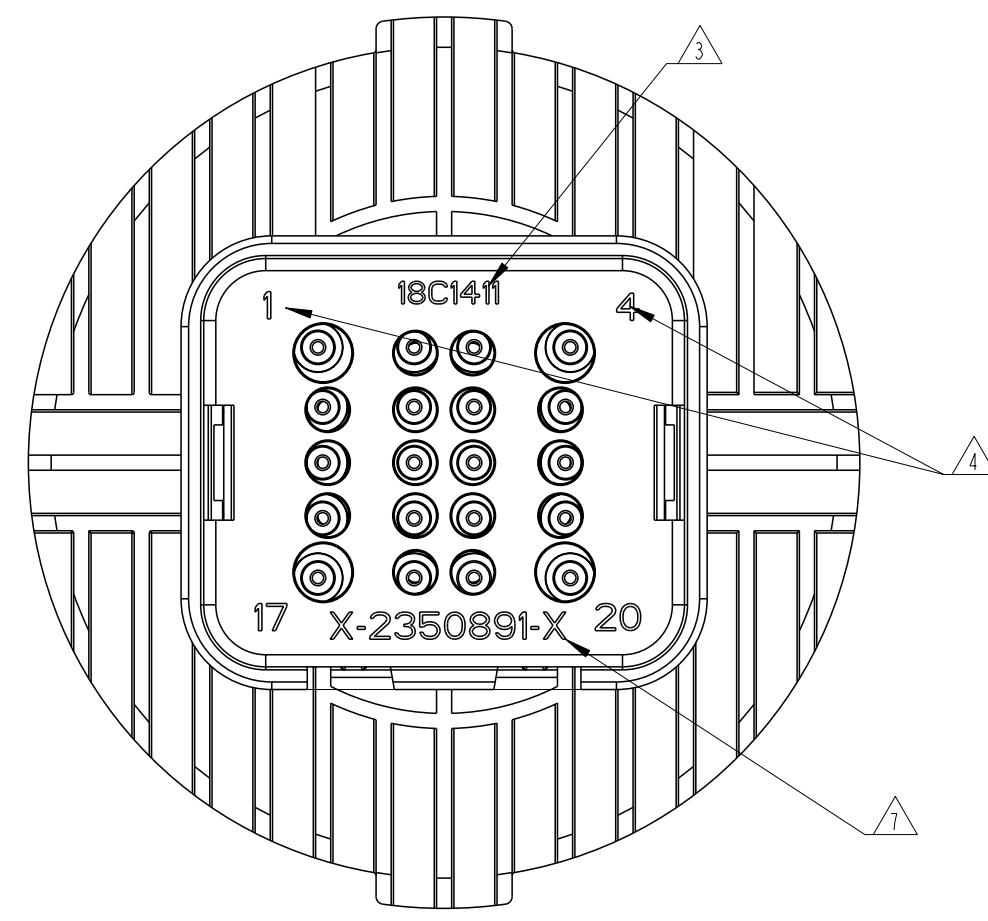
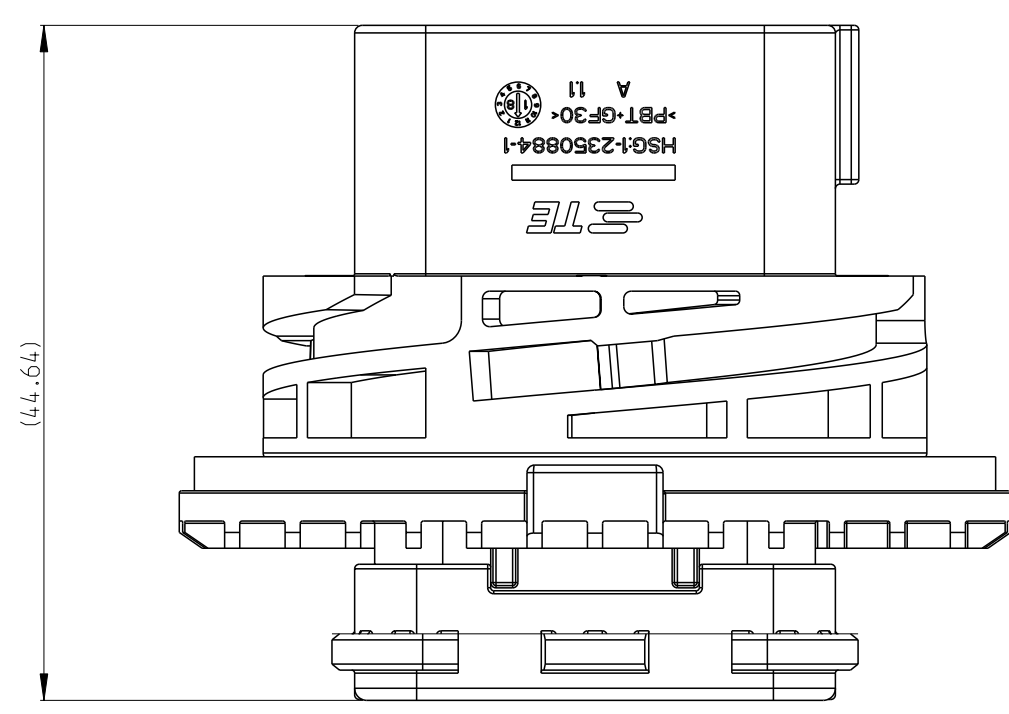
FACIAL SEAL VERSION
 2-2350891-1
 2-2350891-2
 2-2350891-3
 2-2350891-4



SECTION A-A



CODING A PN:1-2350891-1 2-2350891-1								CODING B PN:1-2350891-2 2-2350891-2								CODING C PN:1-2350891-3 2-2350891-3								CODING D PN:1-2350891-4 2-2350891-4																																																																																				
1	-	-	-	1	-	-	-	BLUE	PBT-GF30	REAR CAP	5	1	-	-	-	1	-	-	-	BLUE	VMQ	GROMMET	4	1	-	-	-	1	-	-	-	BLUE	PBT-GF30	HOUSING.CODE D	3	-	1	-	-	-	1	-	-	GREEN	PBT-GF30	HOUSING.CODE C	2	-	-	1	-	-	-	1	-	GRAY	PBT-GF30	HOUSING.CODE B	1	-	-	-	1	-	-	-	1	BLACK	PBT-GF30	HOUSING.CODE A	1	1	1	1	1	1	1	1	1	RED	EPDM	CUSHION	1	1	-	-	-	1	1	1	1	BLACK	VMQ	FACIAL SEAL	1	1	1	1	1	1	1	1	1	RED	PBT-GF30	TPA	1	
-	1	-	-	-	1	-	-	GREEN			VMQ	FACIAL SEAL	1	-	1	-	-	-	1	-			-	GREEN	PBT-GF30	HOUSING.CODE C	3	-	-	1	-	-				-	1	-	GRAY	PBT-GF30	HOUSING.CODE B	2	-	-				-	1	-	-	-	1	BLACK	PBT-GF30	HOUSING.CODE A				1	1	1	1	1	1	1	1	1				RED	EPDM	CUSHION	1	1	-	-	-	1				1	1	1	BLACK	VMQ	FACIAL SEAL	1	1	1				1	1	1	1	1	1	RED	PBT-GF30	TPA				1
1	1	1	1	1	1	1	1	YELLOW						PBT-GF30	TPA	1	1	1	1	1			1	1				1	1	YELLOW	PBT-GF30	TPA				1	1	1	1				1	1				1	1	1	YELLOW	PBT-GF30	TPA	1							1	1	1	1	1	1	1	1				YELLOW				PBT-GF30	TPA	1																														
42.4	42.4	42.4	42.4	42.7	42.7	42.7	42.7	WEIGHT OF EACH ASSY(g)																																																																																																				
A	A	A	A	A	A	A	A	REVISION OF EACH ASSY NO.																																																																																																				
2--4	2--3	2--2	2--1	1--4	1--3	1--2	1--1	TE ASSEMBLY PN																																																																																																				



VIEW C

THIS DRAWING IS A CONTROLLED DOCUMENT.

DWN	C. WAN	02MAR2019	 TE Connectivity
CHK	E. JIANG	28MAR2019	
APVD	J. LIN	02MAR2019	
NAME			
DIMENSIONS:	TOLERANCES UNLESS OTHERWISE SPECIFIED:		NTS 20POS TAB HOUSING ASSEMBLY DEUTSCH TERMINAL HYBRID CONNECTOR
m	0 PLC ±	1 PLC ±0.2	
	2 PLC ±0.25	3 PLC ±	
	4 PLC ±	ANGLES ±	
MATERIAL	FINISH	WEIGHT	RESTRICTED TO
-	-	-	A200779 C-2350891
CUSTOMER DRAWING			SCALE 2:1 SHEET 2 OF 2 REV A2

printed on 19 Mar 2021 10:52 (China Standard Time) from TE426590