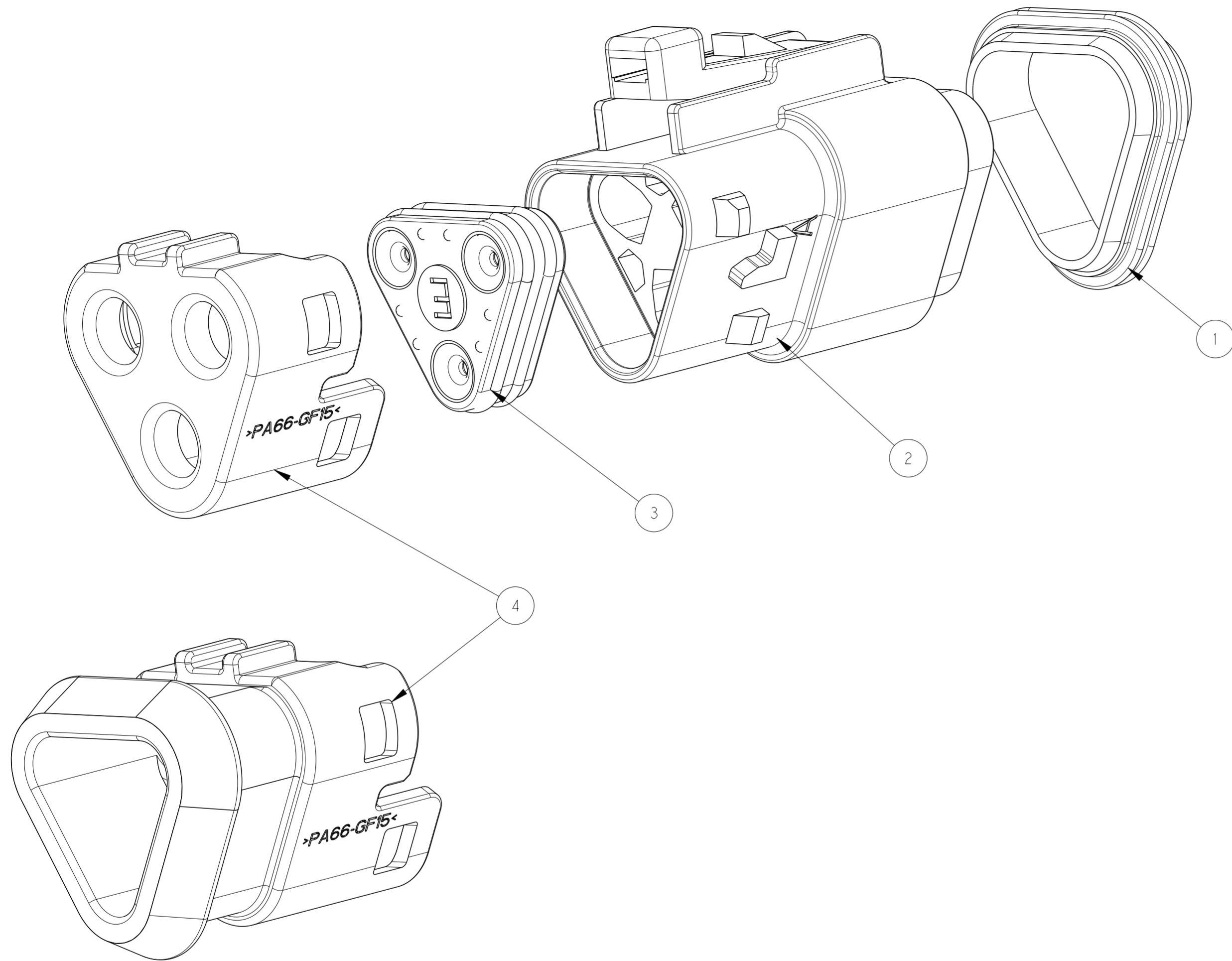


THIS DRAWING IS UNPUBLISHED. RELEASED FOR PUBLICATION
 © COPYRIGHT copyright.d8te- ALL RIGHTS RESERVED.

REVISIONS					
P	LTR	DESCRIPTION	DATE	DWN	APVD
A		INITIAL RELEASE	07AUG2017	C.W	I.Y
A2		REVISED PER PCN: E-18-007072	04MAY2018	AJ	DM
B		REVISED PER PCN E-19-014633	11FEB2019	AK	NS



NOTES:

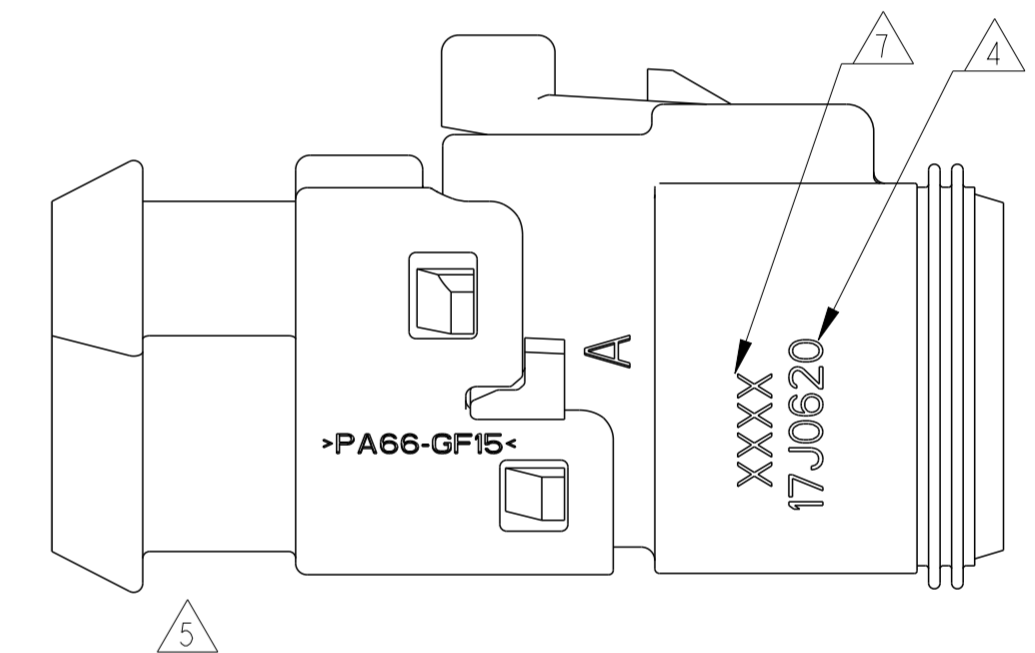
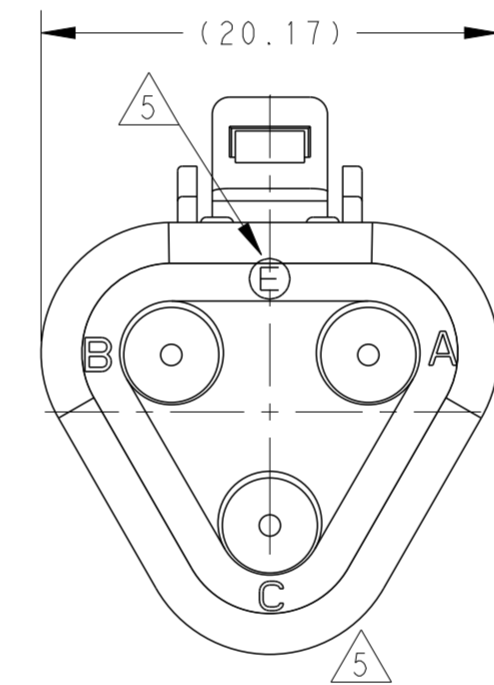
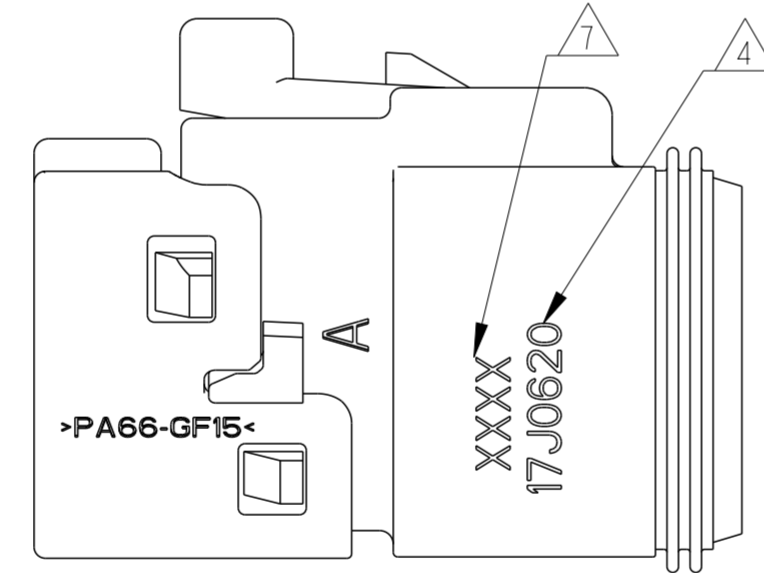
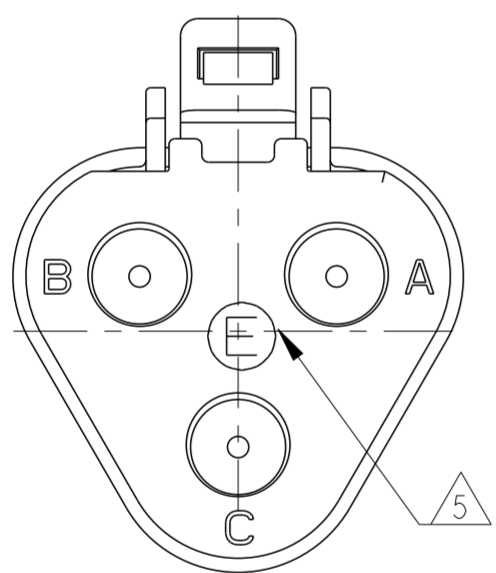
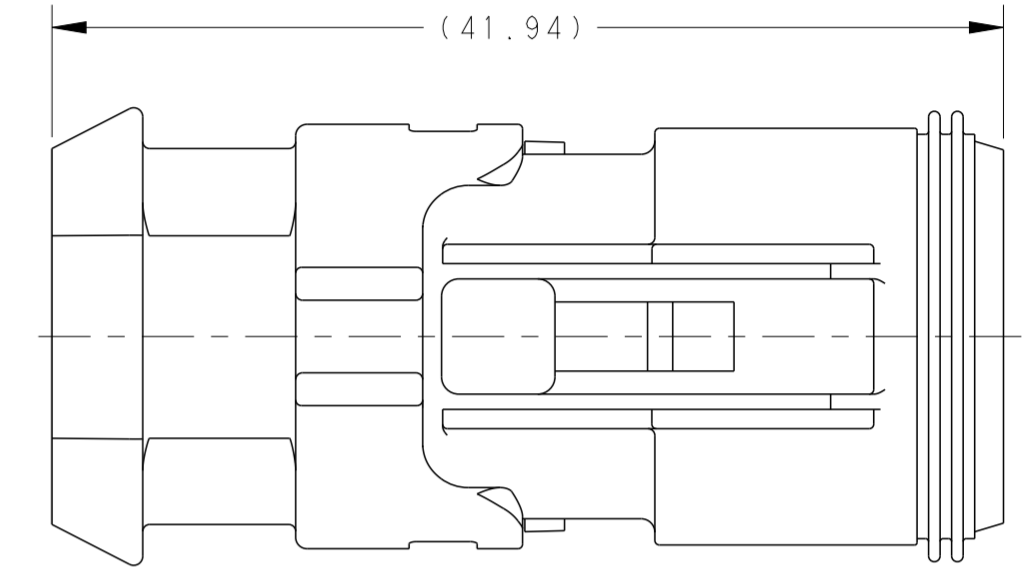
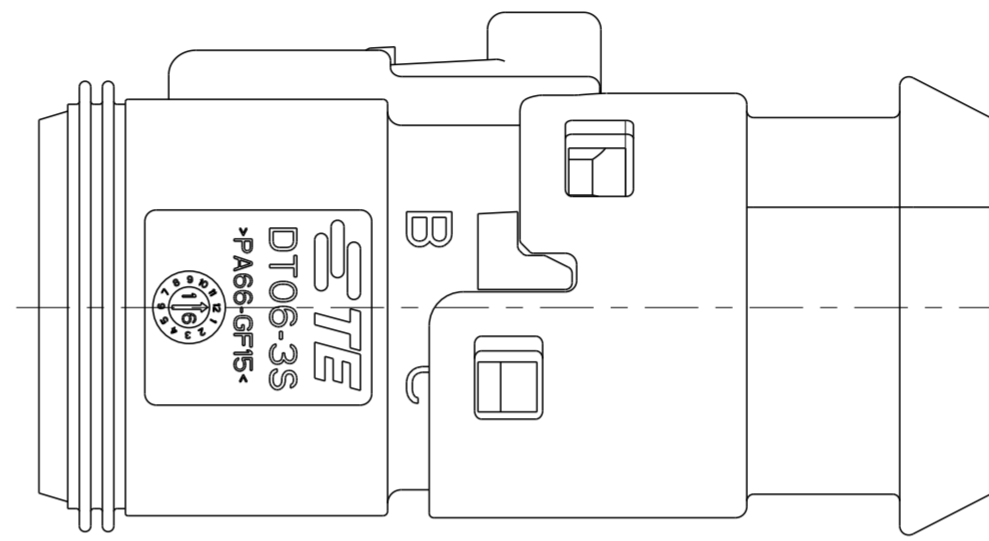
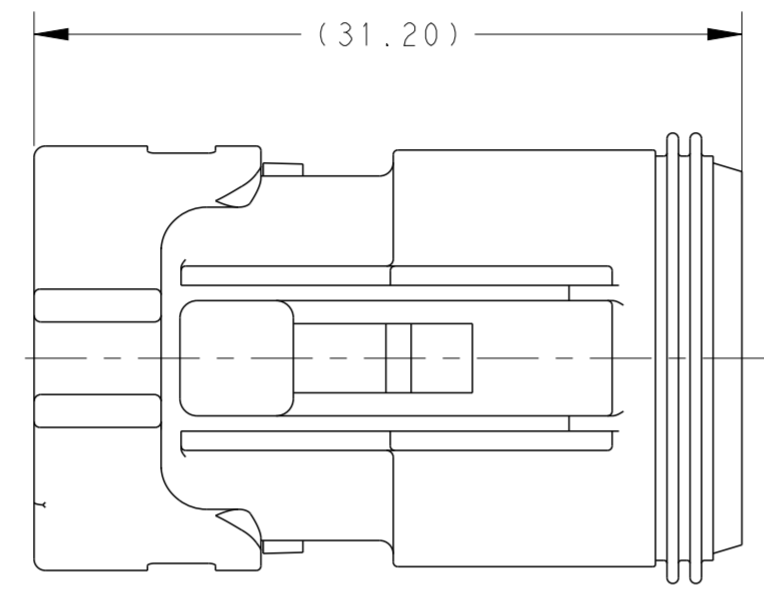
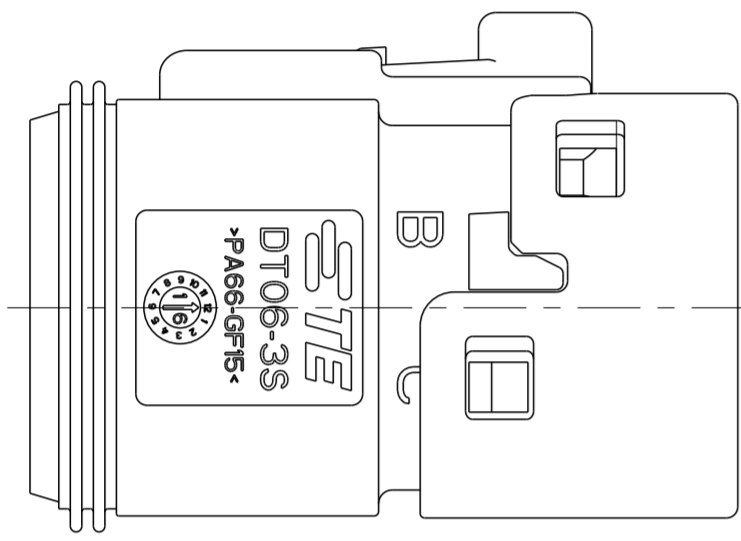
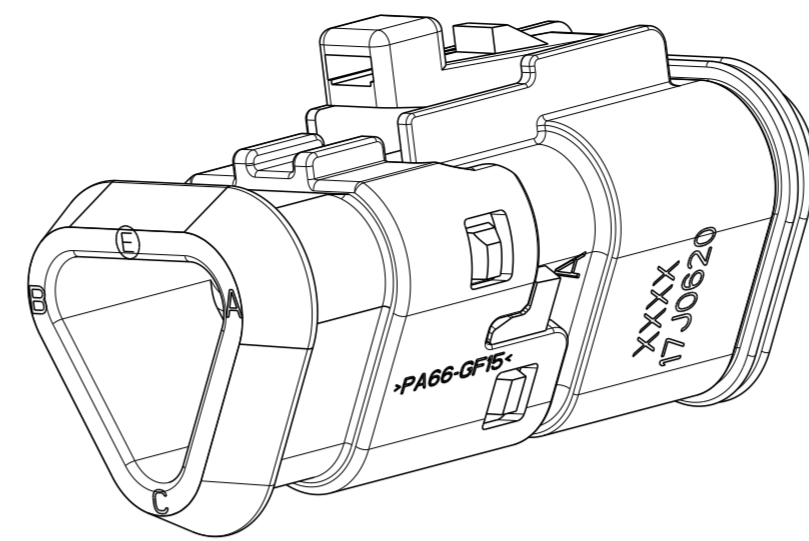
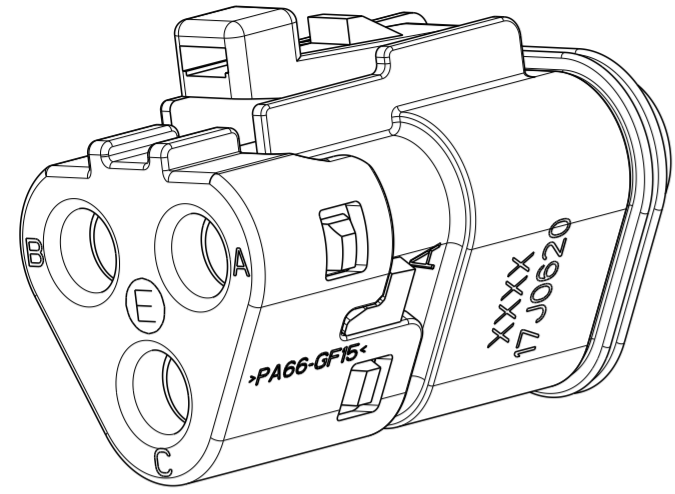
1. SECONDARY WEDGE LOCK SOLD SEPARATELY: W3S-XXXX.
 (XXXX = ALL MODIFICATIONS)
 W3S OR W3S-P012 MAY BE USED WITH THESE PLUGS
 W3S-P012 IS RECOMMENDED.
2. THIS PLUG MATES WITH DT04-3P-XXXX RECEPTACLE.
 (XXXX = ALL MODIFICATIONS)
3. MATERIAL: HOUSING: PA66 GF15, SEE TABLE FOR COLOR
 GROMMET: VMQ SEE TABLE FOR COLOR
 FRONT SEAL: VMQ (RED-ORANGE), SEE TABLE FOR DETAIL.
4. DATE CODE: IDENTIFIES THE YEAR, MONTH, DAY AND HOUR OF ASSEMBLY.
 YEAR: FIRST AND SECOND DIGITS. (17 = 2017)
 MONTH: THIRD DIGIT, EXCLUDING I. A = JAN, B = FEB,
 C = MARCH ... (K = OCTOBER)
 DAY: FOURTH AND FIFTH DIGITS (14 = 14th DAY)
 HOUR: SIXTH AND SEVENTH DIGITS (11 = 11AM)
5. "E" IDENTIFIES E-SEAL.
6. FOR CONTACTS AND WIRE PERFORMANCE AND APPLICATION CHARACTERISTICS SEE CUSTOMER DRAWING 0425-015-0000.
7. XXXX IDENTIFIES THE MODIFICATION NUMBER, IF APPLICABLE. EXAMPLE: "TE31" FOR DT06-3S-TE31.

CONTACT SIZE	WIRE RANGE	SEALING RANGE	SEAL IDENTIFICATION
#16	14-20AWG (2.5-0.5mm ²)	.088-.145 [2.23-3.68]	STANDARD SEAL N-SEAL
		.053-.120 [1.35-3.05]	EXTRA THIN SEAL E-SEAL

THIS DRAWING IS A CONTROLLED DOCUMENT.		DWN C. WAN 15OCT2017	TE Connectivity																								
DIMENSIONS: mm		CHK E. JIANG 15OCT2017																									
TOLERANCES UNLESS OTHERWISE SPECIFIED:		APVD I. YIN 15OCT2017	NAME DT SERIES, SNAP CAPS 3 WAY PLUG, DT06-3S-TXXX																								
<table border="0"> <tr> <td>0 PLC</td> <td>±</td> <td></td> </tr> <tr> <td>1 PLC</td> <td>±0.64</td> <td></td> </tr> <tr> <td>2 PLC</td> <td>±0.64</td> <td></td> </tr> <tr> <td>3 PLC</td> <td>±</td> <td></td> </tr> <tr> <td>4 PLC</td> <td>±</td> <td></td> </tr> <tr> <td>ANGLES</td> <td>±</td> <td></td> </tr> <tr> <td>FINISH</td> <td>±</td> <td></td> </tr> </table>		0 PLC	±		1 PLC	±0.64		2 PLC	±0.64		3 PLC	±		4 PLC	±		ANGLES	±		FINISH	±		PRODUCT SPEC 108-151009	SIZE	CAGE CODE	DRAWING NO	RESTRICTED TO
0 PLC	±																										
1 PLC	±0.64																										
2 PLC	±0.64																										
3 PLC	±																										
4 PLC	±																										
ANGLES	±																										
FINISH	±																										
MATERIAL 3		APPLICATION SPEC 114-151009	A2	-	C-2303816																						
		WEIGHT SEE TABLES	SCALE	SHEET	REV																						
		CUSTOMER DRAWING	1:1	1 OF 2	B																						

THIS DRAWING IS UNPUBLISHED. RELEASED FOR PUBLICATION
 © COPYRIGHT copyright.d8Te- ALL RIGHTS RESERVED.

REVISIONS				
P	LTR	DESCRIPTION	DATE	APVD
-		SEE SHEET 1		



5				5			
1	1	1	1	COLOR	MATERIAL	DESCRIPTION	ITEM NO
1	1	1	1	GREY	PA66-GF15	STD CAP	4
1	1	1	1	BLACK	PA66-GF15	STD CAP	4
1			1	BURNT RED	VMQ	GROMMET, E-SEAL	3
	1	1		ORANGE-RED	VMQ	GROMMET, N-SEAL	3
		1	1	GREY	PA66-GF15	HOUSING	2
1	1			BLACK	PA66-GF15	HOUSING	2
1	1	1	1	ORANGE	VMQ	FRONT SEAL	1
				COLOR	MATERIAL	DESCRIPTION	ITEM NO
7.50	7.48	7.48	7.51	WEIGHT OF EACH ASSY NO. (g)			
B	A	A	B	REVISION OF EACH ASSY NO.			
DT06-3S-TE32	DT06-3S-TN32	DT06-3S-TN31	DT06-3S-TE31	DEUTSCH			
1--4	1--3	1--2	1--1	TE PN			
DT06-3S-CE05	DT06-3S-E005-EP06	DT06-3S-E003-EP04	DT06-3S-CE01	COMPARABLE PART			

1	1	1	1	COLOR	MATERIAL	DESCRIPTION	ITEM NO
1	1			GREY	PA66-GF15	LONG CAP	4
1	1			BLACK	PA66-GF15	LONG CAP	4
1			1	BURNT RED	VMQ	GROMMET, E-SEAL	3
	1	1		ORANGE-RED	VMQ	GROMMET, N-SEAL	3
		1	1	GREY	PA66-GF15	HOUSING	2
1	1			BLACK	PA66-GF15	HOUSING	2
1	1	1	1	ORANGE	VMQ	FRONT SEAL	1
QTY. REQUEST PER ASSY				COLOR	MATERIAL	DESCRIPTION	ITEM NO
8.96	8.94	8.94	8.96	WEIGHT OF EACH ASSY NO. (g)			
B	A	A	B	REVISION OF EACH ASSY NO.			
DT06-3S-TE82	DT06-3S-TN82	DT06-3S-TN81	DT06-3S-TE81	DEUTSCH			
2--4	2--3	2--2	2--1	TE PN			
DT06-3S-CE13	DT06-3S-EP11	DT06-3S-E008	DT06-3S-CE04	COMPARABLE PART			

THIS DRAWING IS A CONTROLLED DOCUMENT.

DIMENSIONS: mm

TOLERANCES UNLESS OTHERWISE SPECIFIED:

0 PLC	±
1 PLC	±0.64
2 PLC	±0.64
3 PLC	±
4 PLC	±
ANGLES	±
FINISH	±

MATERIAL: 3

APVD: C. WAN, E. JIANG, I. YIN, 150CT2017

PRODUCT SPEC: 108-151009

APPLICATION SPEC: 114-151009

WEIGHT: SEE TABLES

CUSTOMER DRAWING

SCALE: 3:1

SHEET: 2 OF 2

REV: B

NAME: DT SERIES, SNAP CAPS 3 WAY PLUG, DT06-3S-TXXX

SIZE: A2

CAGE CODE: -

DRAWING NO: C-2303816

RESTRICTED TO: B

TE Connectivity