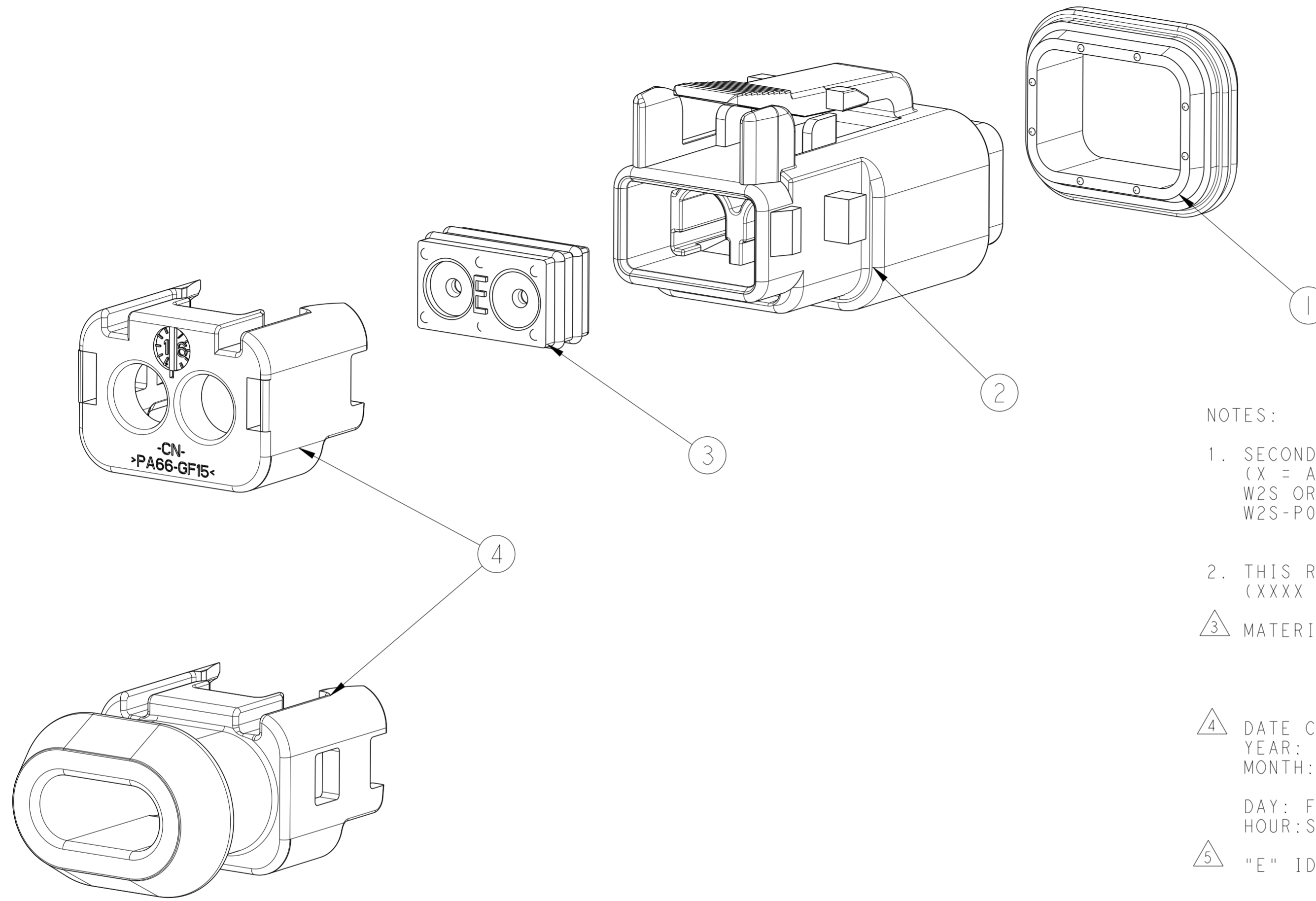


THIS DRAWING IS UNPUBLISHED. RELEASED FOR PUBLICATION 20
 © COPYRIGHT 20 BY - ALL RIGHTS RESERVED.

REVISIONS				
P	LTR	DESCRIPTION	DATE	APVD
A		INITIAL RELEASE	08AUG2017	C.W I.Y
B		REVISED PER PCN E-19-014633	11FEB2019	AK NS



NOTES:

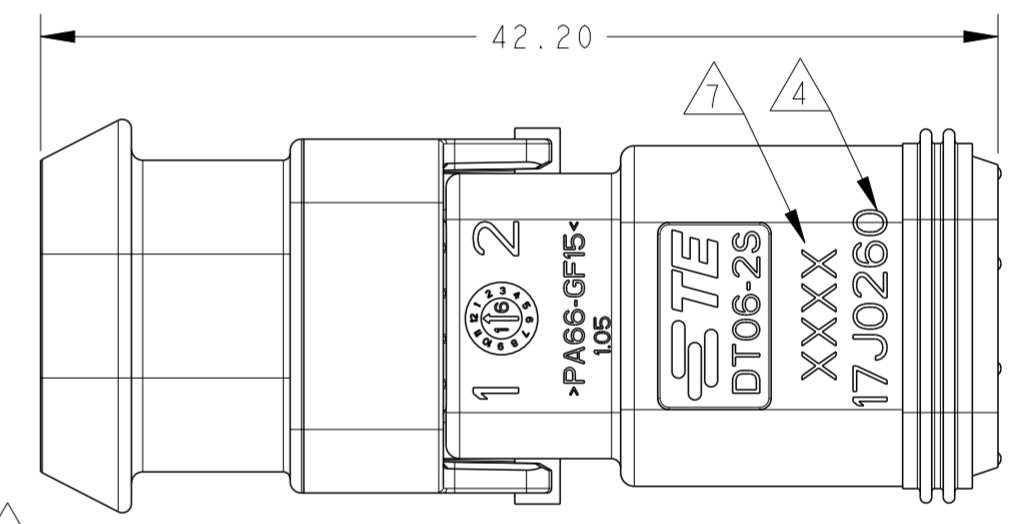
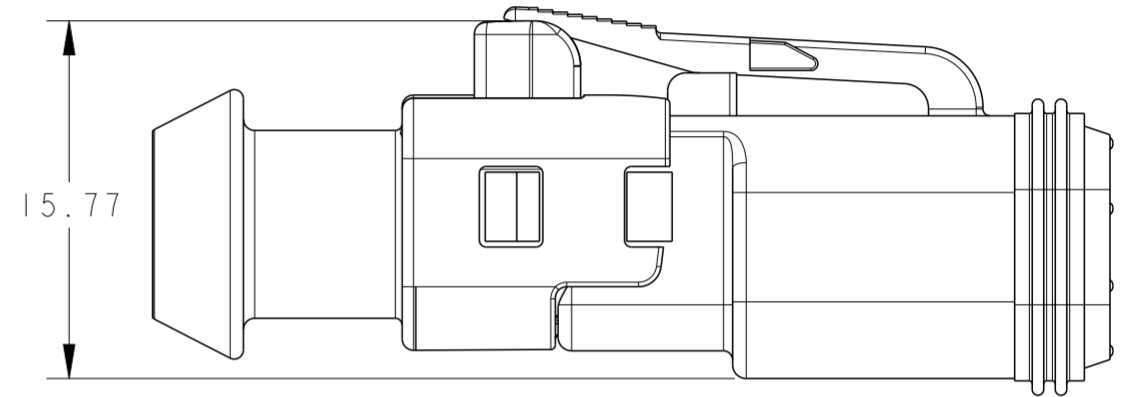
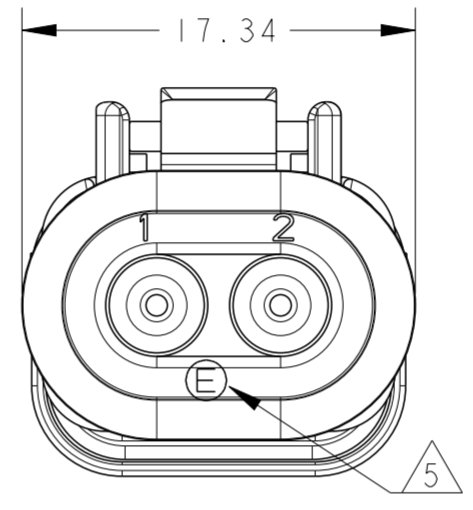
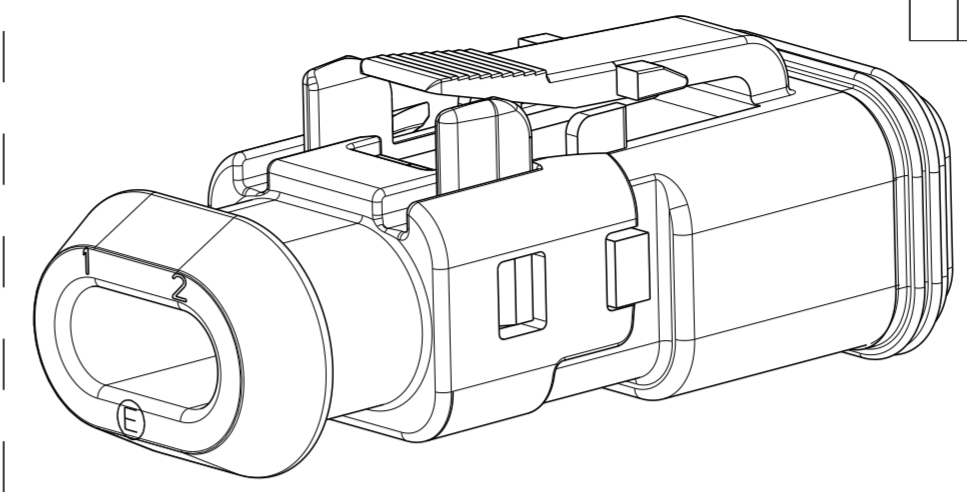
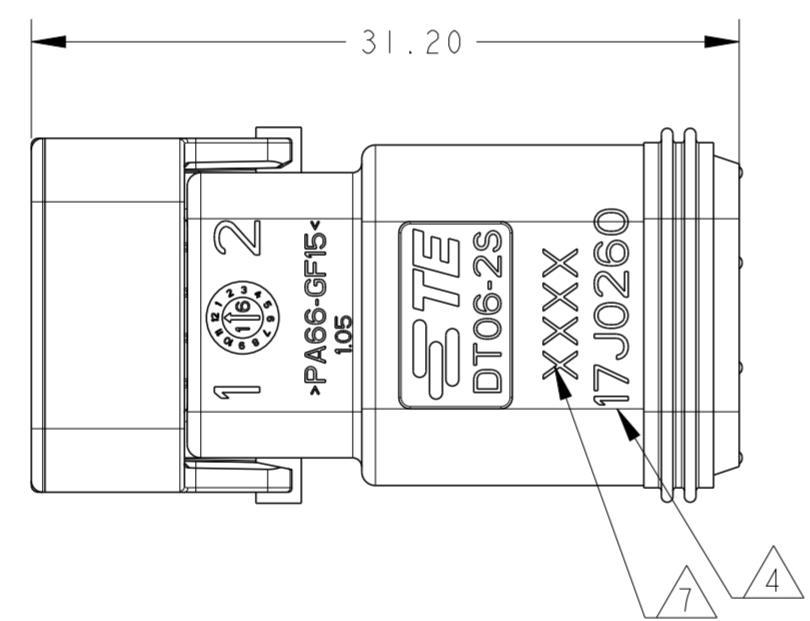
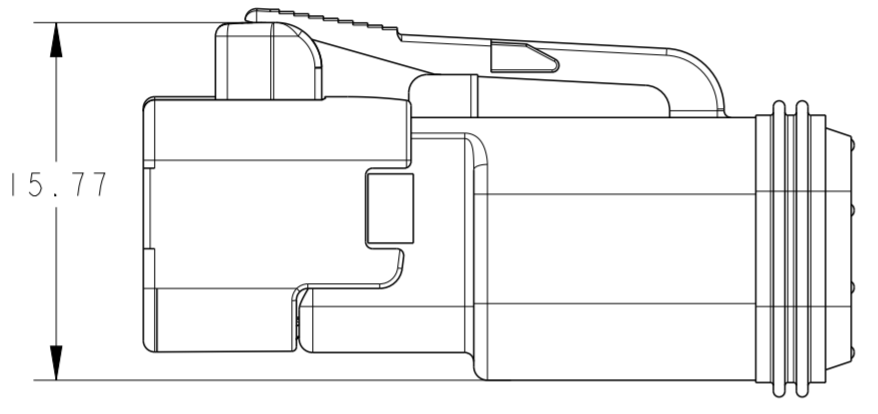
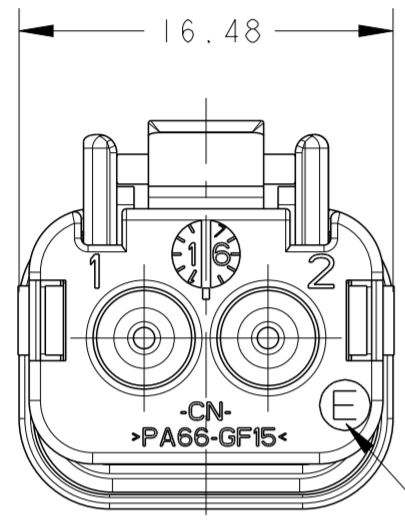
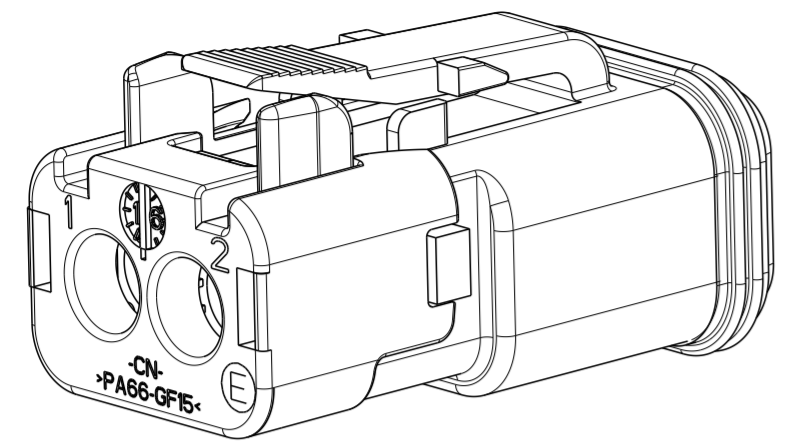
- SECONDARY WEDGE LOCK SOLD SEPARATELY: W2SX-XXXX.
 (X = A,B,C,D KEY; XXXX = ALL MODIFICATIONS)
 W2S OR W2S-P012 MAY BE USED WITH THESE PLUGS.
 W2S-P012 IS RECOMMENDED.
- THIS RECEPTACLE MATES WITH DT04-2P-XXXX PLUG.
 (XXXX = ALL MODIFICATIONS)
- MATERIAL: HOUSING: PA66 GF15, SEE TABLE FOR COLOR
 GROMMET: VMQ, SEE TABLE FOR COLOR
 FRONT SEAL: VMQ(RED-ORANGE), EXCEPT TF31 AND TF32
 ARE FVMQ, SEE TABLE FOR DETAIL
- DATE CODE: IDENTIFIES THE YEAR, MONTH, DAY AND HOUR OF ASSEMBLY.
 YEAR: FIRST AND SECOND DIGITS. (17 = 2017)
 MONTH: THIRD DIGIT, EXCLUDING I. A = JAN, B = FEB,
 C = MARCH ... (K = OCTOBER)
 DAY: FOURTH AND FIFTH DIGITS (14 = 14th DAY)
 HOUR: SIXTH AND SEVENTH DIGITS (11 = 11AM)
- "E" IDENTIFIES E-SEAL.
- FOR CONTACTS AND WIRE PERFORMANCE AND APPLICATION CHARACTERISTICS SEE CUSTOMER DRAWING 0425-015-0000.
- XXXX IDENTIFIES THE MODIFICATION NUMBER, IF APPLICABLE. EXAMPLE: "TE81" FOR DT06-2S-TE81.

CONTACT SIZE	WIRE RANGE	SEALING RANGE	SEAL IDENTIFICATION
#16	14-20AWG (2.5-0.5mm ²)	.088-.145 [2.23-3.68]	STANDARD SEAL N-SEAL
		.053-.120 [1.35-3.05]	EXTRA THIN SEAL E-SEAL

THIS DRAWING IS A CONTROLLED DOCUMENT.		DWN C. WAN	15OCT2017	 TE Connectivity	NAME DT SERIES, SNAP CAPS 2 WAY PLUG, DT06-2S-TXXX
DIMENSIONS: mm		CHK E. JIANG	15OCT2017		
TOLERANCES UNLESS OTHERWISE SPECIFIED:		APVD I. YING	15OCT2017		
0 PLC ± 1 PLC ±0.64 2 PLC ±0.64 3 PLC ± 4 PLC ± ANGLES ± FINISH		PRODUCT SPEC 108-151009	APPLICATION SPEC 114-151009		
MATERIAL	3	WEIGHT SEE TABLES	A200779	DRAWING NO C-2303815	RESTRICTED TO -
CUSTOMER DRAWING			SCALE 1:1	SHEET 1 OF 2	REV B

THIS DRAWING IS UNPUBLISHED. RELEASED FOR PUBLICATION 20
 © COPYRIGHT 20 BY - ALL RIGHTS RESERVED.

REVISIONS				
P	LTR	DESCRIPTION	DATE	APVD
-	-	SEE SHEET 1	-	-



5				5			
1	1	1	1	COLOR	MATERIAL	DESCRIPTION	ITEM NO
1	1	1	1	GREY	PA66-GF15	STD CAP	4
1	1	1	1	BLACK	PA66-GF15	STD CAP	4
1	1	1	1	BURNT RED	VMQ	GROMMET, E-SEAL	3
1	1	1	1	ORANGE-RED	VMQ	GROMMET, N-SEAL	3
1	1	1	1	GREY	PA66-GF15	HOUSING	2
1	1	1	1	BLACK	PA66-GF15	HOUSING	2
1	1	1	1	ORANGE	VMQ	FRONT SEAL	1
4.76				WEIGHT OF EACH ASSY NO. (g)			
B				REVISION OF EACH ASSY NO.			
DT06-2S-TE32	DT06-2S-TN32	DT06-2S-TN31	DT06-2S-TE31	DEUTSCH PN			
1--4	1--3	1--2	1--1	TE PN			
DT06-2S-CE03	DT06-2S-E005	DT06-2S-E003	DT06-2S-CE01	COMPARABLE PART			
DT06-2S-CE05	DT06-2S-EP06	DT06-2S-EP04		COMPARABLE PART			

1	1	1	1	2-2301537-2	GREY	PA66-GF15	LONG CAP	4
1	1	1	1	2-2301537-1	BLACK	PA66-GF15	LONG CAP	4
1	1	1	1	1010-019-0206	BURNT RED	VMQ	GROMMET, E-SEAL	3
1	1	1	1	1010-008-0206	ORANGE-RED	VMQ	GROMMET, N-SEAL	3
1	1	1	1	2-2301536-2	GREY	PA66-GF15	HOUSING	2
1	1	1	1	2-2301536-1	BLACK	PA66-GF15	HOUSING	2
1	1	1	1	1010-064-0206	ORANGE	VMQ	FRONT SEAL	1
QTY. REQUEST PER ASSY				PART NO	COLOR	MATERIAL	DESCRIPTION	ITEM NO
5.93	5.93	5.93	5.93	WEIGHT OF EACH ASSY NO. (g)				
B	A	A	B	REVISION OF EACH ASSY NO.				
DT06-2S-TE82	DT06-2S-TN82	DT06-2S-TN81	DT06-2S-TE81	DEUTSCH PN				
2--4	2--3	2--2	2--1	TE PN				
DT06-2S-CE13	DT06-2S-EPI1	DT06-2S-E008	DT06-2S-CE04	COMPARABLE PART				

THIS DRAWING IS A CONTROLLED DOCUMENT.

DIMENSIONS: mm	TOLERANCES UNLESS OTHERWISE SPECIFIED:	DWN C. WAN 15OCT2017	 TE Connectivity
	0 PLC ± 1 PLC ±0.64 2 PLC ±0.64 3 PLC ± 4 PLC ± ANGLES ± FINISH ±	CHK E. JIANG 15OCT2017	
		APVD J. YIN 15OCT2017	
		PRODUCT SPEC 108-151009	
MATERIAL	APPLICATION SPEC 114-151009	NAME DT SERIES, SNAP CAPS 2 WAY PLUG, DT06-2S-TXXX	
CUSTOMER DRAWING		WEIGHT SEE TABLES	SIZE CAGE CODE DRAWING NO RESTRICTED TO
		SCALE 3:1	SHEET 2 OF 2 REV B