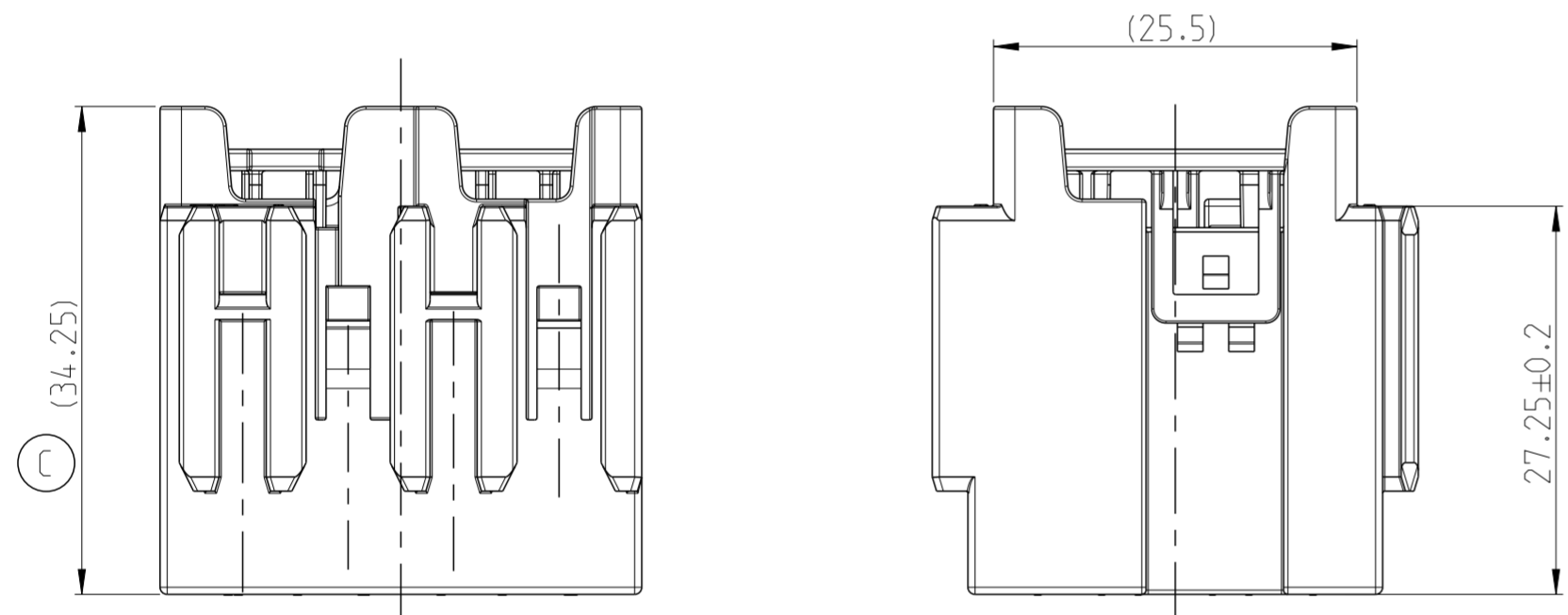
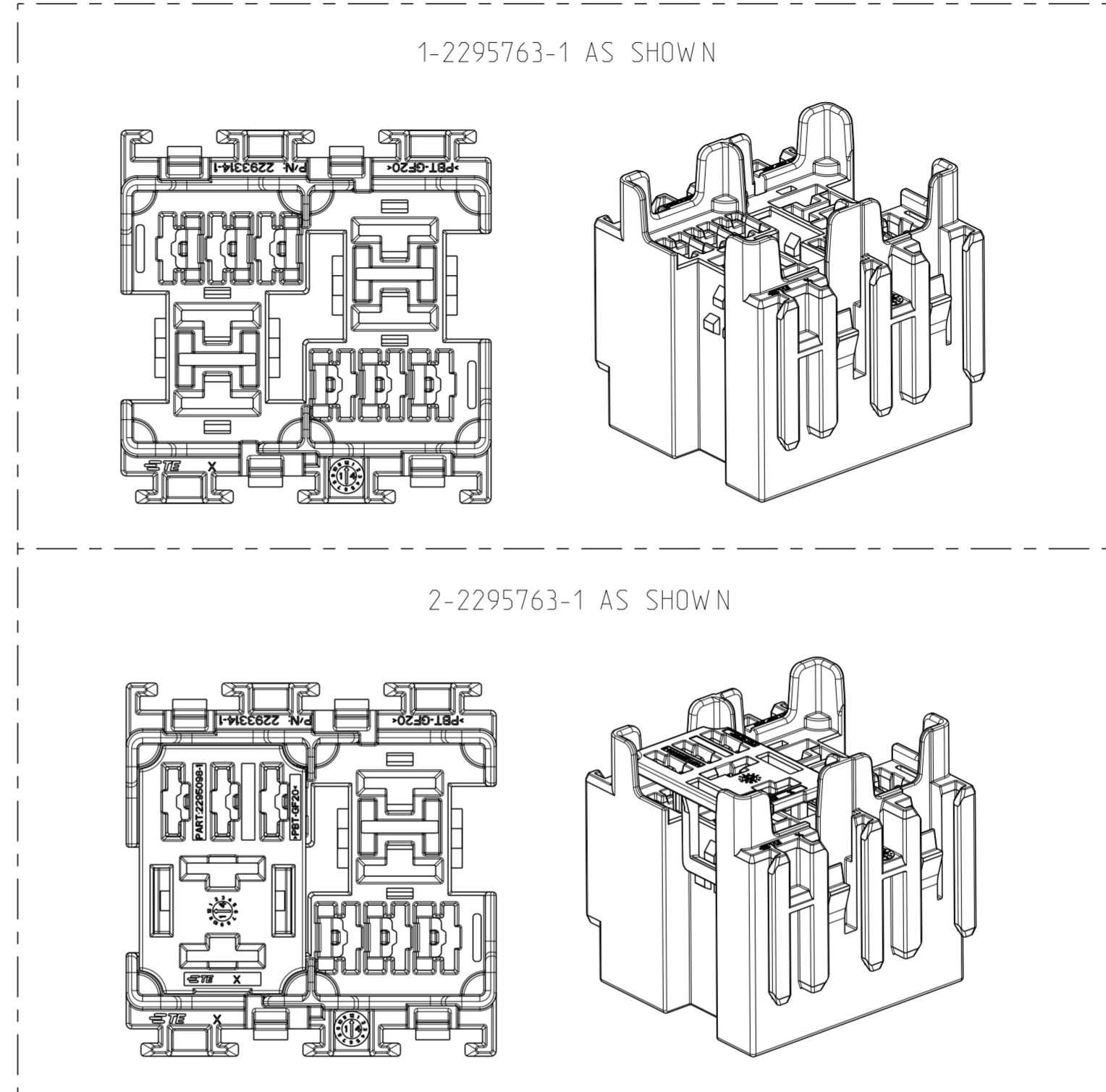
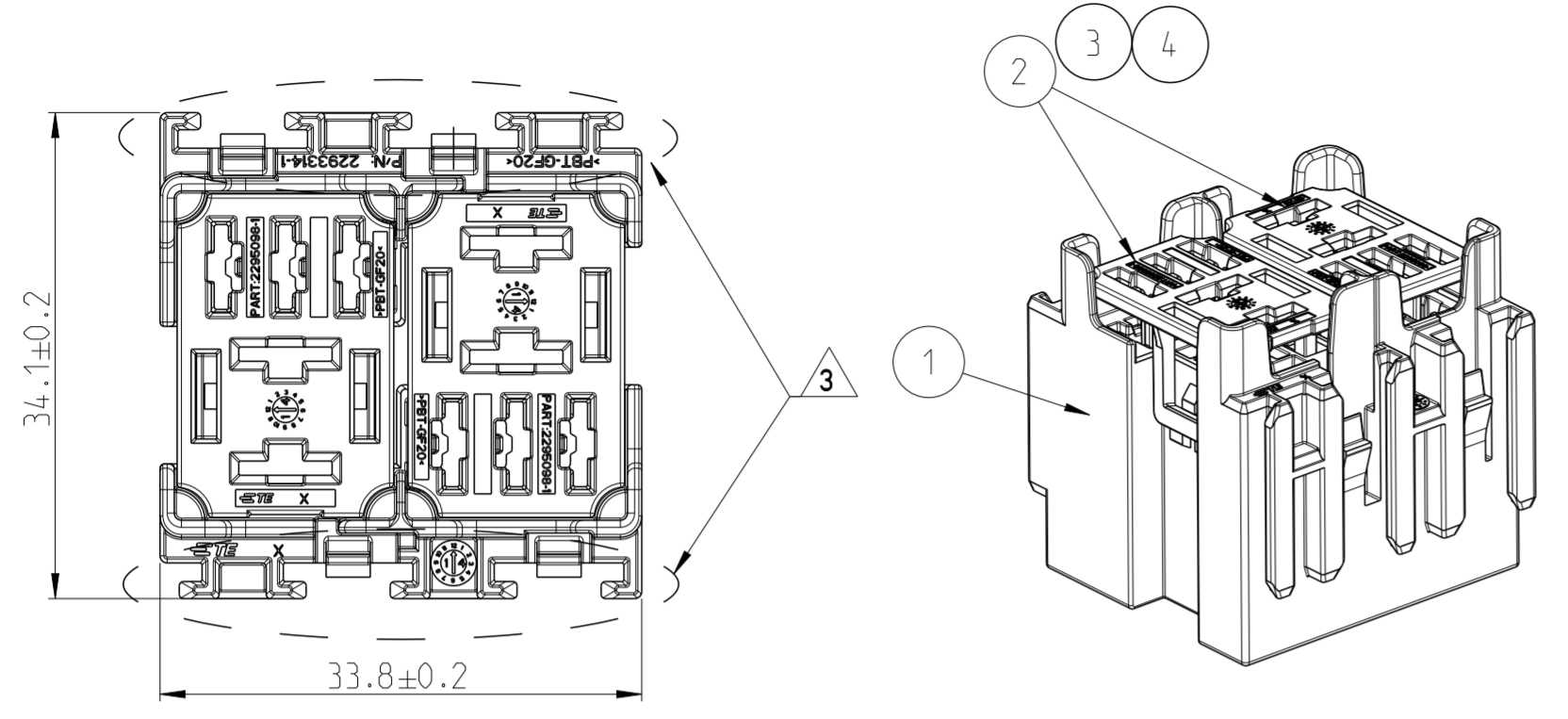


THIS DRAWING IS UNPUBLISHED. RELEASED FOR PUBLICATION 20
 © COPYRIGHT 20 BY - ALL RIGHTS RESERVED.

REVISIONS					
P	LTR	DESCRIPTION	DATE	DWN	APVD
B		REVISION (ECO-18-007289)	11JUL18	X.X	D.L
B1		REVISION (ECR-19-006402)	23APR19	X.X	D.L
B2		REVISION (ECO-19-018344)	03DEC19	W.W	D.L
C		ECR-20-015780(Change protection wall height)	26MAY2021	X.X	D.L



2295763-1
 2295763-2
 2295763-3
 AS SHOWN

- PLEASE REFER TO TABLE 1 FOR CONTACT INFORMATION
- RETAINERS SUPPLIED IN OPEN POSITION
- INTERFACE DRAWING FOR HOUSING MOUNTING:114-101091

P/N	DESCRIPTION	REV
2-2295763-1	MICRO RELAY HOLDER ASSY	B
1-2295763-1	MICRO RELAY HOLDER	C
2295763-1	MICRO RELAY HOLDER ASSY	C
2295763-2	MICRO RELAY HOLDER ASSY	B
2295763-3	MICRO RELAY HOLDER ASSY	B

ITEM	DESCRIPTION	MATERIAL	COLOUR	QTY			
4	RETAINER	PBT-GF20	BLUE	2	-	-	-
3	RETAINER	PBT-GF20	GRAY	-	2	-	-
2	RETAINER	PBT-GF20	RED	-	-	2	1
1	HOUSING	PBT-GF20	BLACK	1	1	1	1

TABLE 1

CONTACT TYPE	PART NO.	WIRE RANGE MM ²
FASTON 4.8	1897537-1	0.3-0.5
	1897538-1	0.75-1.25
	1897539-1	2.0-3.0
MCP6.3/4.8K	1241404-1	1.0-2.5
	1241406-1	2.5-4.0
	241408-1	4.0-6.0

THIS DRAWING IS A CONTROLLED DOCUMENT.

DIMENSIONS: mm	TOLERANCES UNLESS OTHERWISE SPECIFIED:	DWN CHARLES WAN 15-Jun-16	TE Connectivity MICRO RELAY HOLDER ASSEMBLY
	0 PLC ±	CHK AREIAL DANG 06 JUL 2016	
	1 PLC ±0.30	APVD S.Y. WANG 06 JUL 2016	
	2 PLC ±0.15	PRODUCT SPEC 108-101418	
MATERIAL	ANGLES ±	APPLICATION SPEC	SIZE A2
	FINISH	WEIGHT	CAGE CODE 00779
		CUSTOMER DRAWING	DRAWING NO. C-2295763
			RESTRICTED TO
			SCALE 2:1
			SHEET 1 OF 1
			REV C