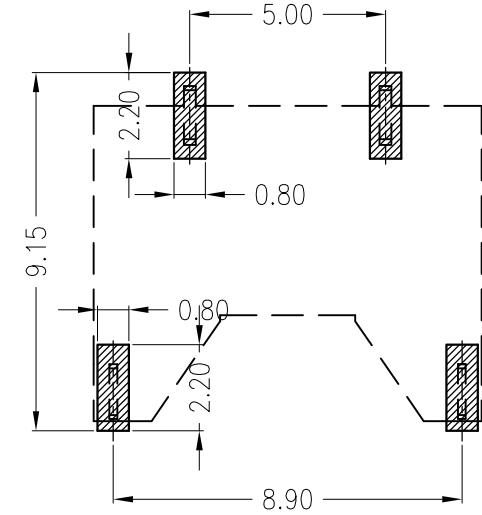
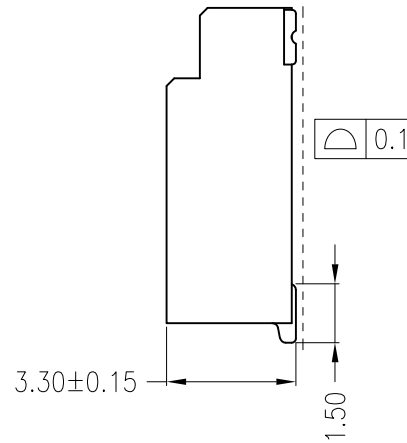
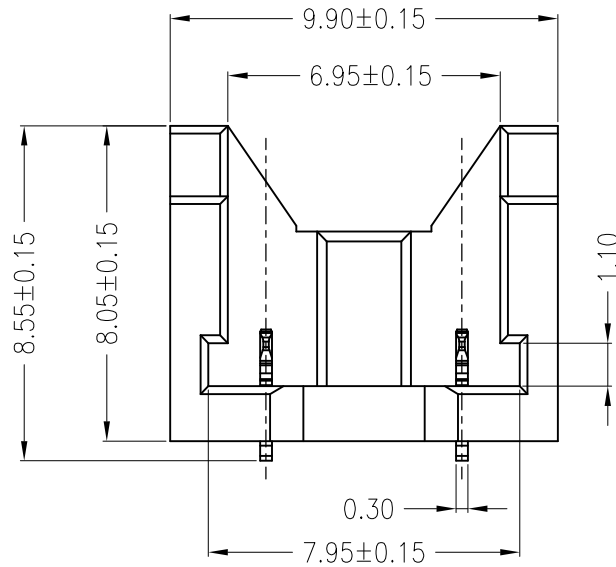
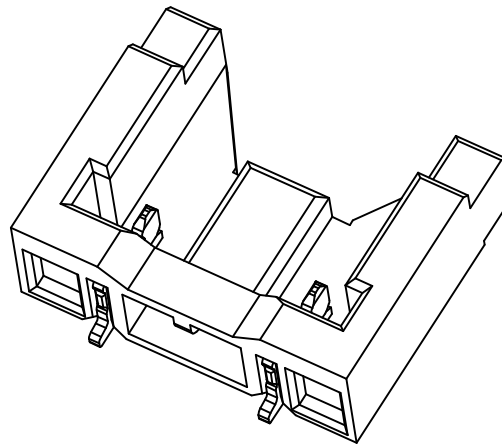
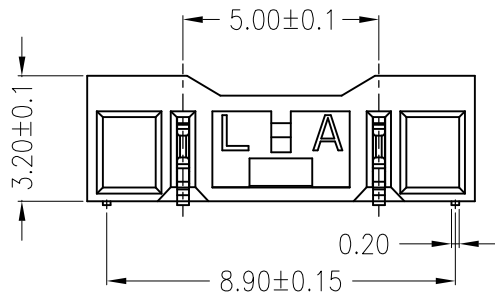


修订 REV	标记 MARK	修改摘要 REVISION DESCRIPTION	签名 SIGNATURE	日期 DATE
AO		NEW RELEASE	黄艳兰	2017-12-07



PCB LAYOUT



Specifications:

- Poles:02
- Contact resistance:≤30mΩ
- Insulation resistance:≥1000MΩ
- Rated voltage:400V AC DC
- Rated current:0.75A AC DC
- Withstand Voltage: 1800V AC/minute
- Temperature Range:-25°C~ +85°C
- Housing:LCP UL94V-0,Natural(Beige)
- Contacts: Brass MATTE SN
- Solder Tabs:Phosphor Bronze MATTE SN

-TOLERANCES- UNLESS OTHERWISE SPECIFIED 公差参数表						TITLE: 产品名称: 5.00mm电池座			
X.X	±0.30	X.X°	±3°	APPD: 核准:	谢亮	PART NO: 产品编号: HDGC5003WR-S-2P-2			
X.XX	±0.30	X.XX°	±2°	CHECK: 校对:	王建业	DATE	SCALE	UNIT	CODE NUMBER
X.XXX	±0.10	X.XXX°	±1°	DRAW: 绘图:	黄艳兰	2017-12-07	1:1	mm	A018



深圳市华德共创科技有限公司

Shenzhen Huade co-create Technology Co.,LTD
TEL : 0755-27111225 FAX : 0755-29940187