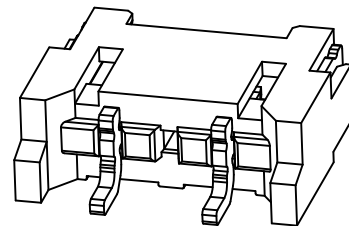
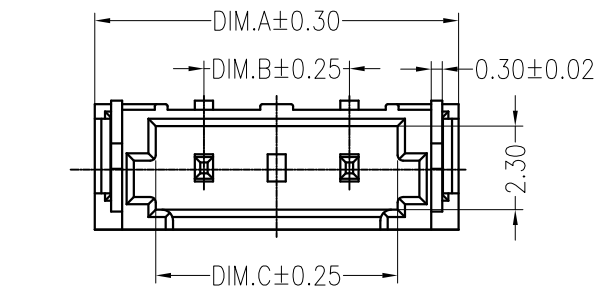
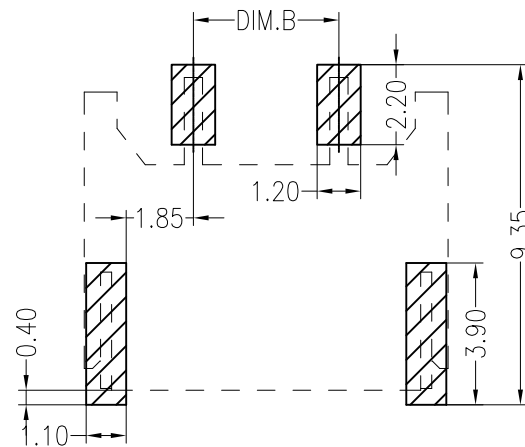
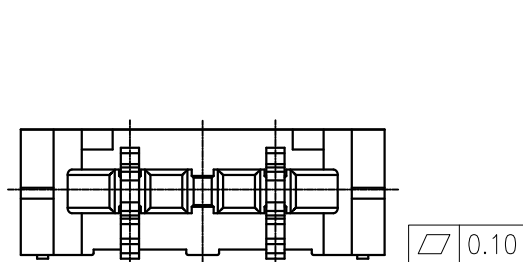
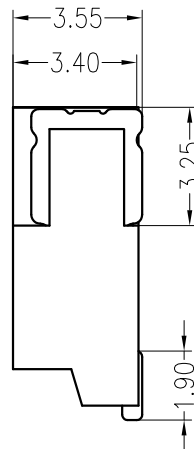
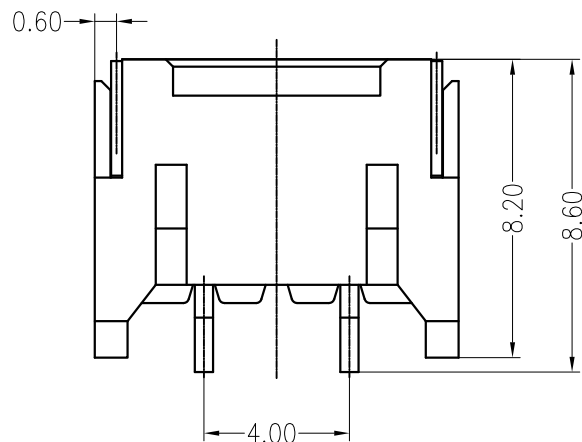


修订 REV	标记 MARK	修改摘要 REVISION DESCRIPTION	签名 SIGNATURE	日期 DATE
AO		NEW RELEASE	黄艳兰	2019-12-10



Specifications:

Poles:02~04P
 Contact resistance: $\leq 10\text{m}\Omega$
 Insulation resistance: $\geq 1000\text{M}\Omega$
 Rated voltage:600V AC DC
 Rated current:1.0A AC DC
 Withstand Voltage: 1800V AC/minute
 Temperature Range: $-25^{\circ}\text{C} \sim +85^{\circ}\text{C}$
 Housing:PA9T UL94V-0,Natural
 Contacts:Brass/Sn-plated
 Solder Tabs:Brass/Sn-plated



PIN	DIM A	DIM B	DIM C
2	10.00	4.00	6.65
3	14.00	8.00	10.65
4	18.00	12.00	14.65



深圳市华德共创科技有限公司

Shenzhen Huade co-create Technology Co.,LTD

TEL : 0755-27111225 FAX : 0755-29940187

-TOLERANCES- UNLESS OTHERWISE SPECIFIED 公差参数表						TITLE: 产品名称: 4.00卧贴			
X.X	±0.30	X.X°	±3°	APPD: 核准:	谢亮	PART NO: 产品编号: HDGC4002WR-S-XP			
X.XX	±0.30	X.XX°	±2°	CHECK: 校对:	王建业	DATE	SCALE	UNIT	CODE NUMBER
X.XXX	±0.10	X.XXX°	±1°	DRAW: 绘图:	黄艳兰	2019-12-10	1:1	mm	A018