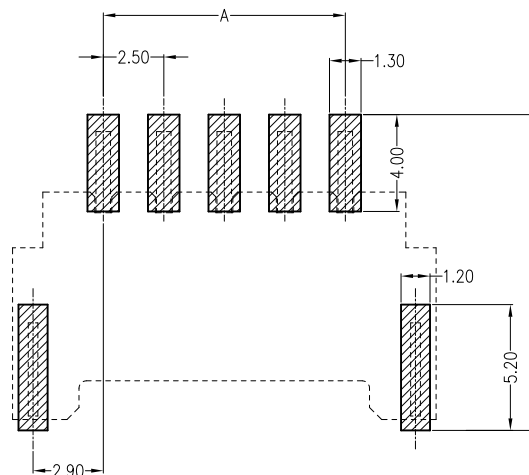
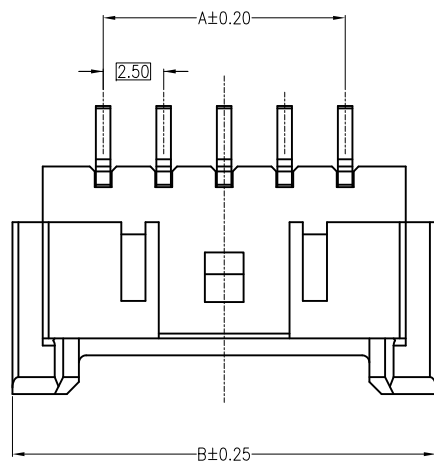


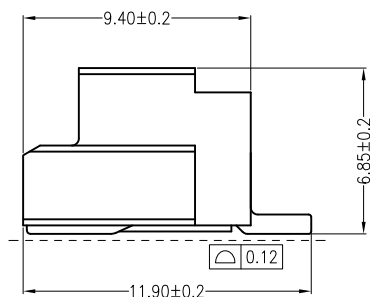
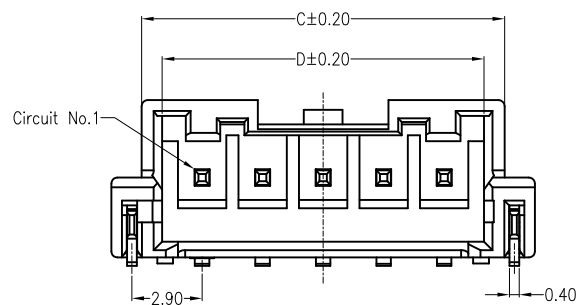
修订 REV	标记 MARK	修改摘要 REVISION DESCRIPTION	签名 SIGNATURE	日期 DATE
AO		NEW RELEASE	黄艳兰	2021-08-22



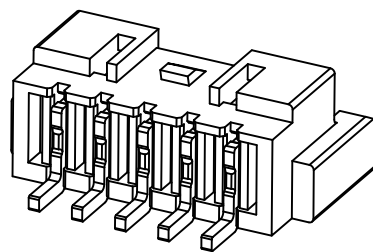
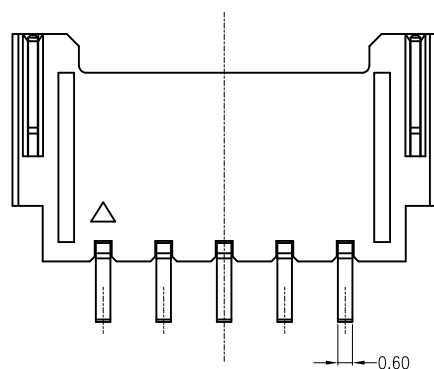
RECOMMENDED PCB LAYOUT

**Specifications:**

Contact resistance:  $\leq 10\text{m}\Omega$   
 Insulation resistance:  $\geq 1000\text{M}\Omega$   
 Rated voltage: 250V AC DC  
 Rated current: 3.0A AC DC  
 Withstand Voltage: 1000V AC/minute  
 Temperature Range:  $-25^{\circ}\text{C} \sim +85^{\circ}\text{C}$   
 Housing: PA9T UL94V-0, Natural (Beige)  
 Contacts: Brass/Sn-plated  
 Solder Tabs: Brass/Sn-plated



Circuits	Dimensions (mm)			
	A	B	C	D
02	2.50	10.00	7.50	5.80
03	5.00	12.50	10.00	8.30
04	7.50	15.00	12.50	10.80
05	10.00	17.50	15.00	13.30
06	12.50	20.00	17.50	15.80
07	15.00	22.50	20.00	18.30
08	17.50	25.00	22.50	20.80
09	20.00	27.50	25.00	23.30
10	22.50	30.00	27.50	25.80
11	25.00	32.50	30.00	28.30
12	27.50	35.00	32.50	30.80
13	30.00	37.50	35.00	33.30
14	32.50	40.00	37.50	35.80
15	35.00	42.50	40.00	38.30



**HDGC** 深圳市华德共创科技有限公司  
 Shenzhen Huade co-create Technology Co., LTD  
 TEL : 0755-27111225 FAX : 0755-29940187

-TOLERANCES- UNLESS OTHERWISE SPECIFIED 公差参数表				 		TITLE: 产品名称: XA2.5卧贴			
X.X	±0.30	X.X°	±3°	APPD: 核准:	谢亮	PART NO: 产品编号: HDGC2523WR-S-XP			
X.XX	±0.30	X.XX°	±2°	CHECK: 校对:	王建业	DATE	SCALE	UNIT	CODE NUMBER
X.XXX	±0.10	X.XXX°	±1°	DRAW: 绘图:	黄艳兰	2021-08-22	1:1	mm	A018