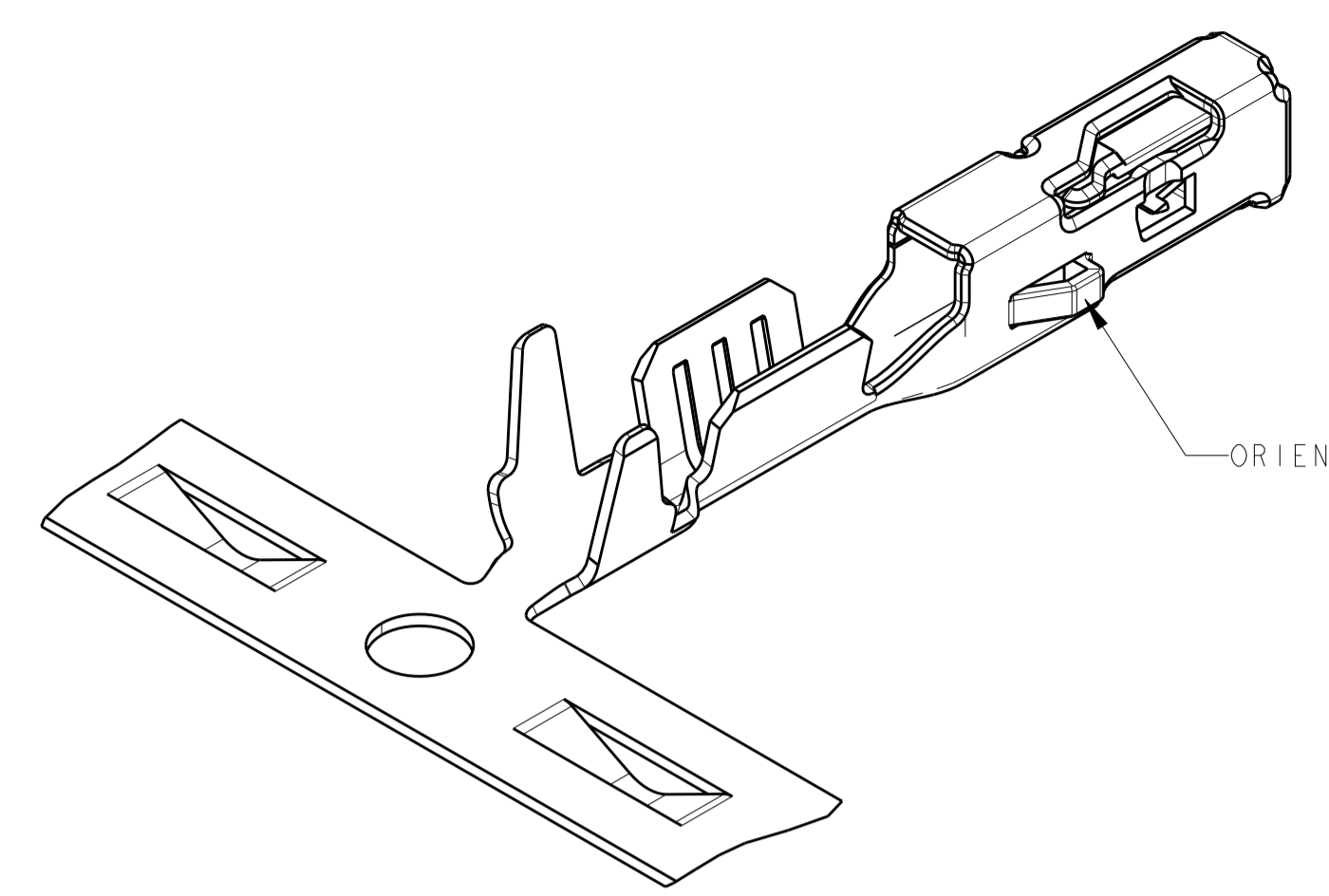
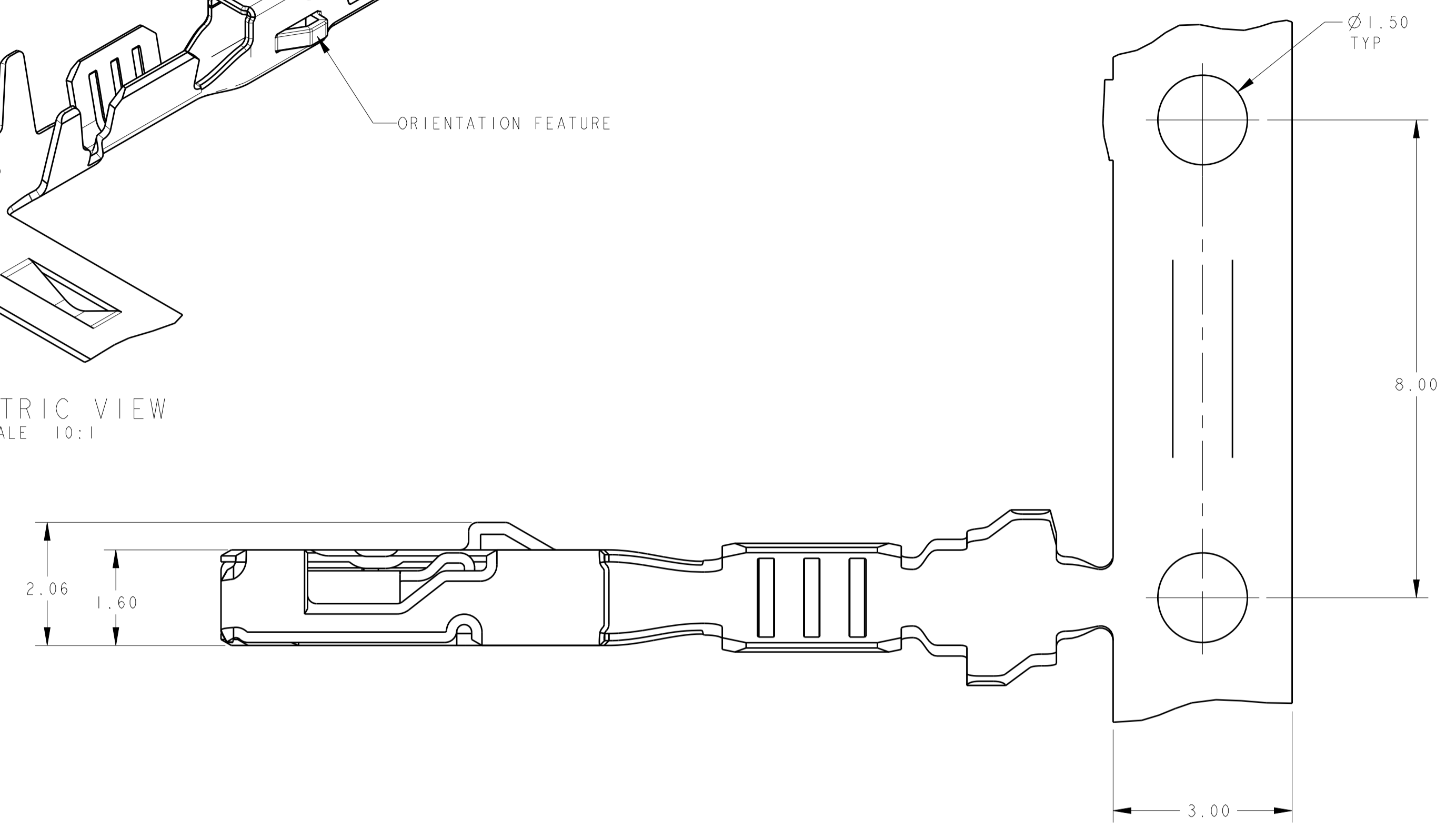


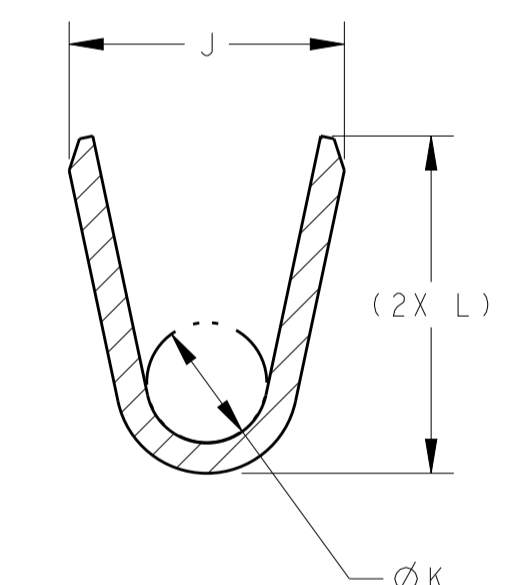
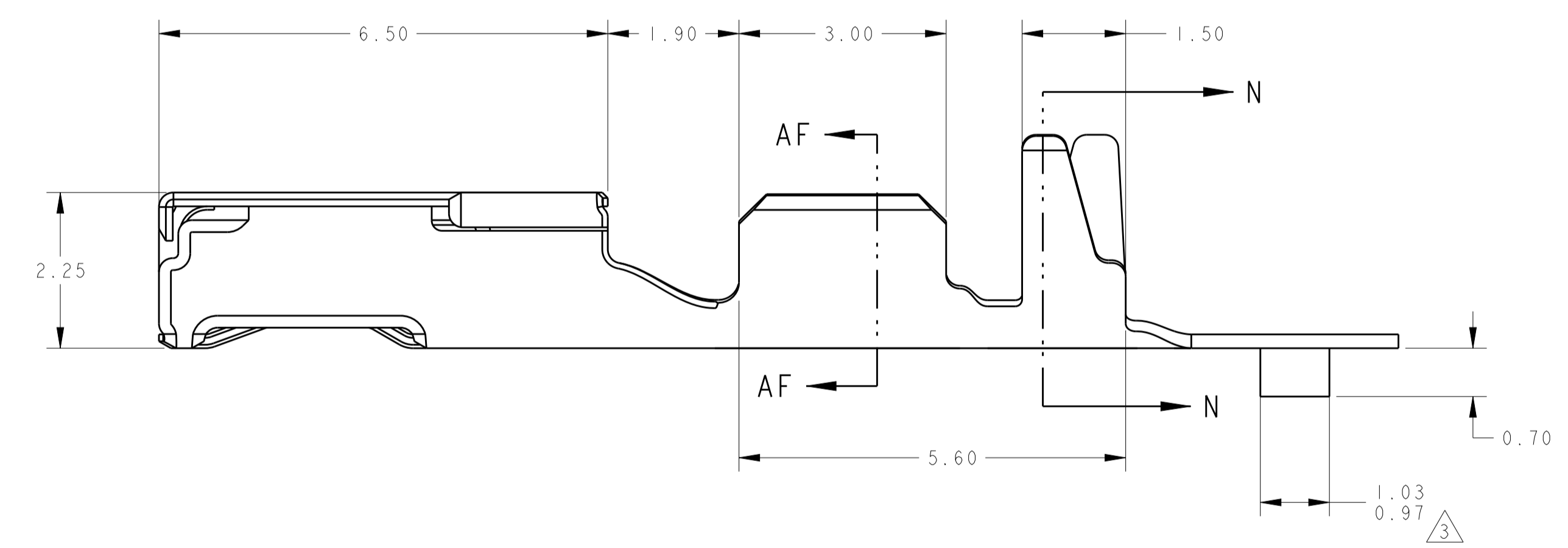
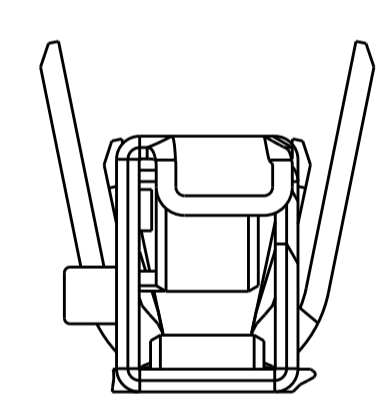
REVISIONS				
P.	LTN.	DESCRIPTION	DATE	APVD.
C		REVISED PER ECR-16-007232	18MAY2016	DLD CJS



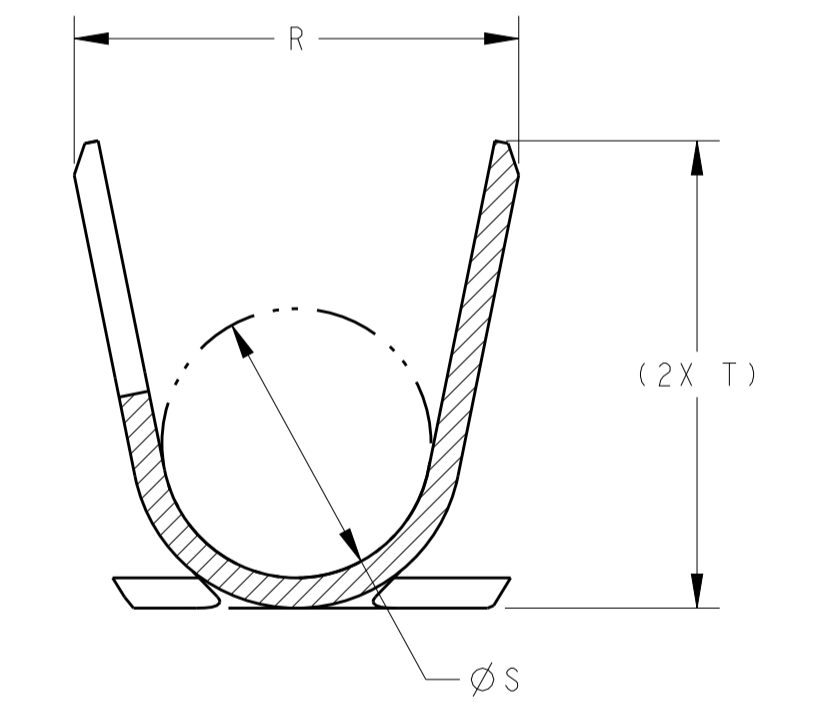
ISOMETRIC VIEW  
SCALE 10:1



- △ MATERIAL: 0.2mm THICK CuNiSi ALLOY
- △ FINISH: PRE-PLATED WITH 1.00µm MIN BRIGHT TIN
- △ MATERIAL ID FEATURE IN "DOWN" POSITION
- 4. THIS PRODUCT TO BE VALIDATED TO GMW3191, TEMP CLASS T3 AND VIBRATION CLASS VI
- 5. THIS PRODUCT IS DESIGNED TO BE COMPATIBLE WITH SEALED APPLICATIONS
- 6. NOTE DELETED
- 7. NORMAL FORCE 240 GRAMS REFERENCE.
- 8. BULGE PERMISSIBLE UNDER ORIENTATION FEATURE.
- 9. TERMINAL HAS NYE LUBRICANTS NYETACT 568J-50-UV PERFORMANCE LUBE/GREASE APPLIED. THIS IS A WHITISH COLORED LUBE. AMOUNT AND VISIBILITY MAY VARY.
- △10 NOT INTENDED FOR SEALED APPLICATIONS.
- △11 SEALING CAPABILITY MUST BE EVALUATED ON AN APPLICATION BASIS.



SECTION AF-AF  
SCALE 20:1



SECTION N-N  
SCALE 20:1

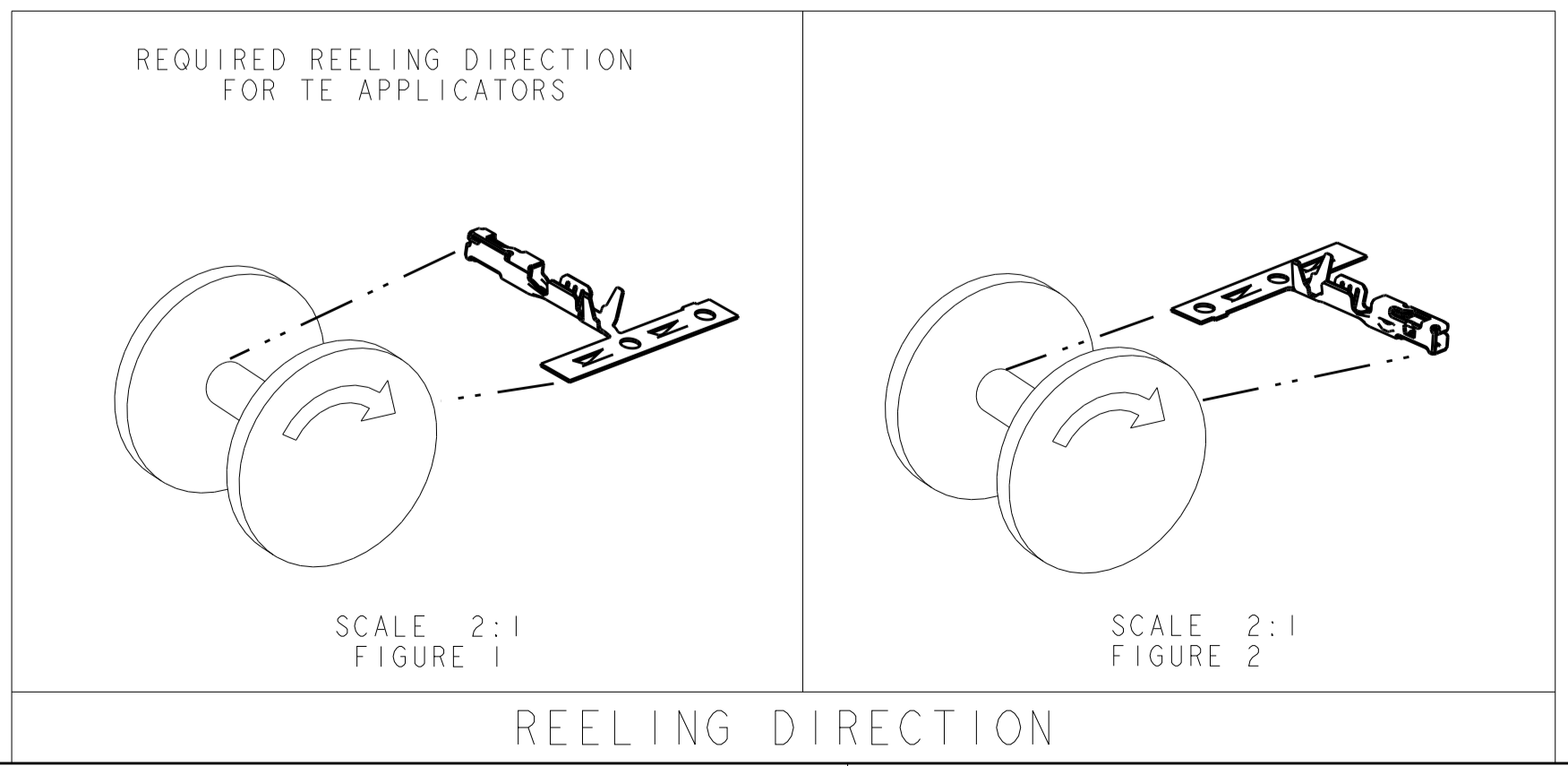


FIGURE	INSULATION DIAMETER	T	S	R	L	K	J	FINISH	mm <sup>2</sup>	AWG	PART NUMBER
FIGURE 2	1.10-1.40	2.38	1.40	2.40	1.70	0.80	1.85	△2	0.35	22	2035170-8 △11
FIGURE 2	0.85-1.05	2.09	0.85	1.82	1.46	0.65	1.50	△2	0.13	26	2035170-7 △10
FIGURE 2	2.06 MAX	3.09	1.78	2.94	2.43	1.00	1.96	△2	0.75	18	2035170-6
FIGURE 2	1.50-1.85	3.09	1.78	2.94	2.23	0.80	1.82	△2	0.35-0.50	20-22	2035170-5
FIGURE 1	1.10-1.40	2.38	1.40	2.40	1.70	0.80	1.85	△2	0.35	22	2035170-4 △11
FIGURE 1	0.85-1.05	2.09	0.85	1.82	1.46	0.65	1.50	△2	0.13	26	2035170-3 △10
FIGURE 1	2.06 MAX	3.09	1.78	2.94	2.43	1.00	1.96	△2	0.75	18	2035170-2
FIGURE 1	1.50-1.85	3.09	1.78	2.94	2.23	0.80	1.82	△2	0.35-0.50	20-22	2035170-1
REELING DIRECTION	INSULATION DIAMETER	DIMENSION						FINISH	mm <sup>2</sup>	AWG	PART NUMBER

THIS DRAWING IS A CONTROLLED DOCUMENT.

CHK: H. MOLL 12MAR2008  
 CHK: F. KINSEY 12MAR2008  
 APVD: C. SCHMID 27AUG2009

DIMENSIONS: mm  
 TOLERANCES UNLESS OTHERWISE SPECIFIED:  
 0 PLC ±  
 1 PLC ±0.15  
 2 PLC ±  
 3 PLC ±  
 4 PLC ±  
 ANGLES ±

MATERIAL: △  
 FINISH: △

TE Connectivity  
 CONTACT, FEMALE, 0.64mm, CuNiSi, SIDE ORIENTATION, Sn PLATE

SIZE: 114-13183  
 WEIGHT: 0.23g  
 CUSTOMER DRAWING

SCALE 15:1 SHEET 1 OF 1 REV C