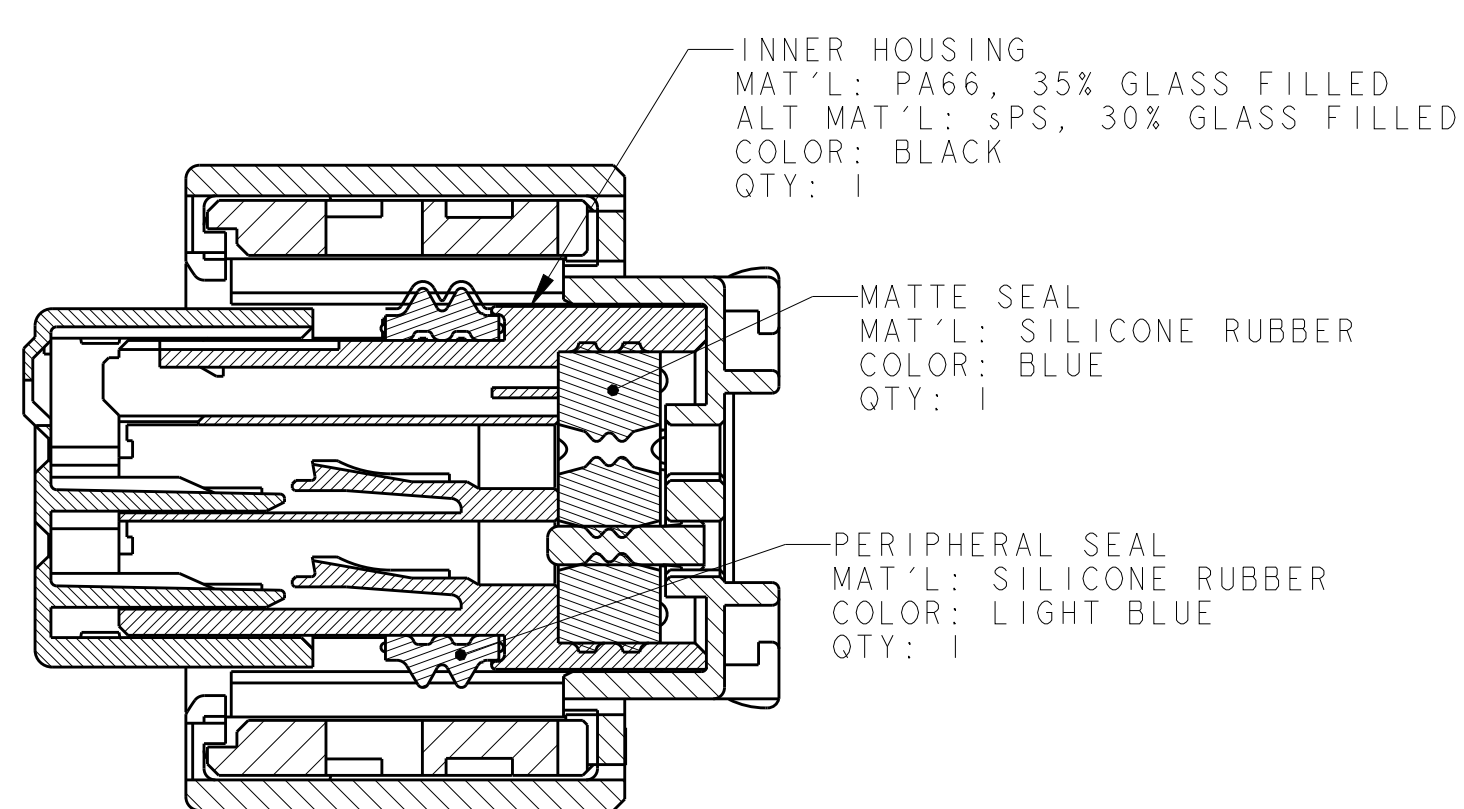
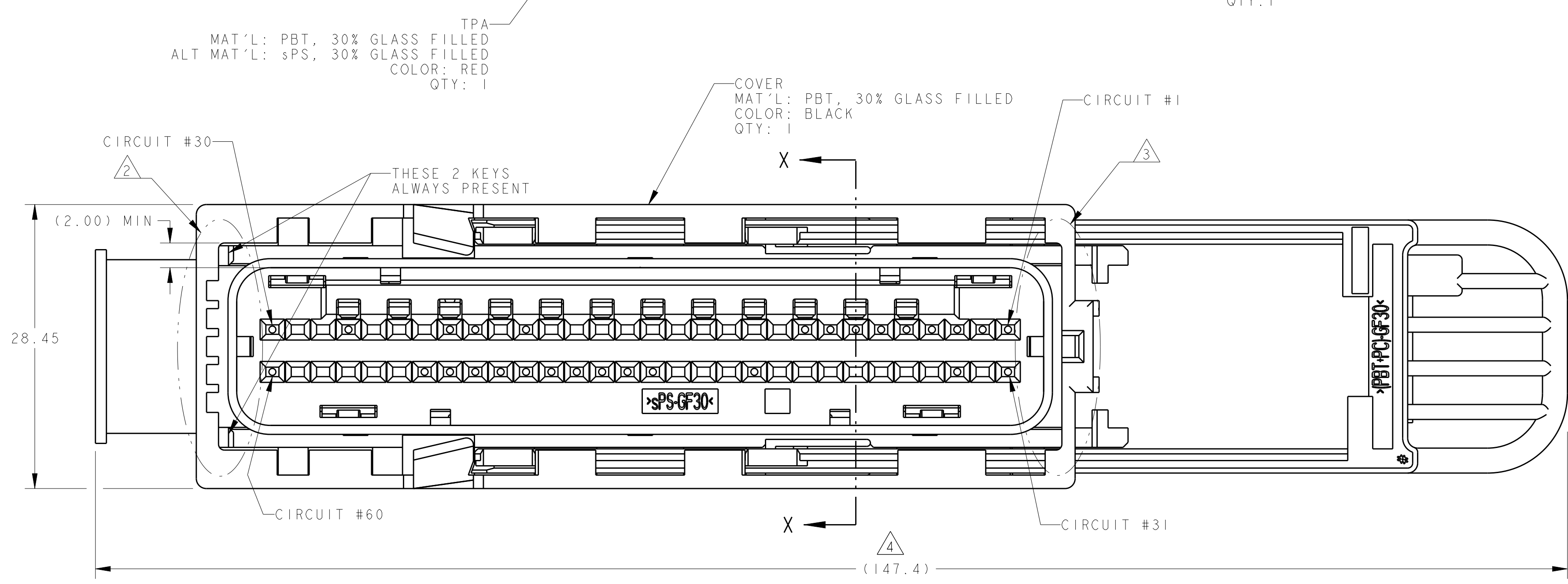
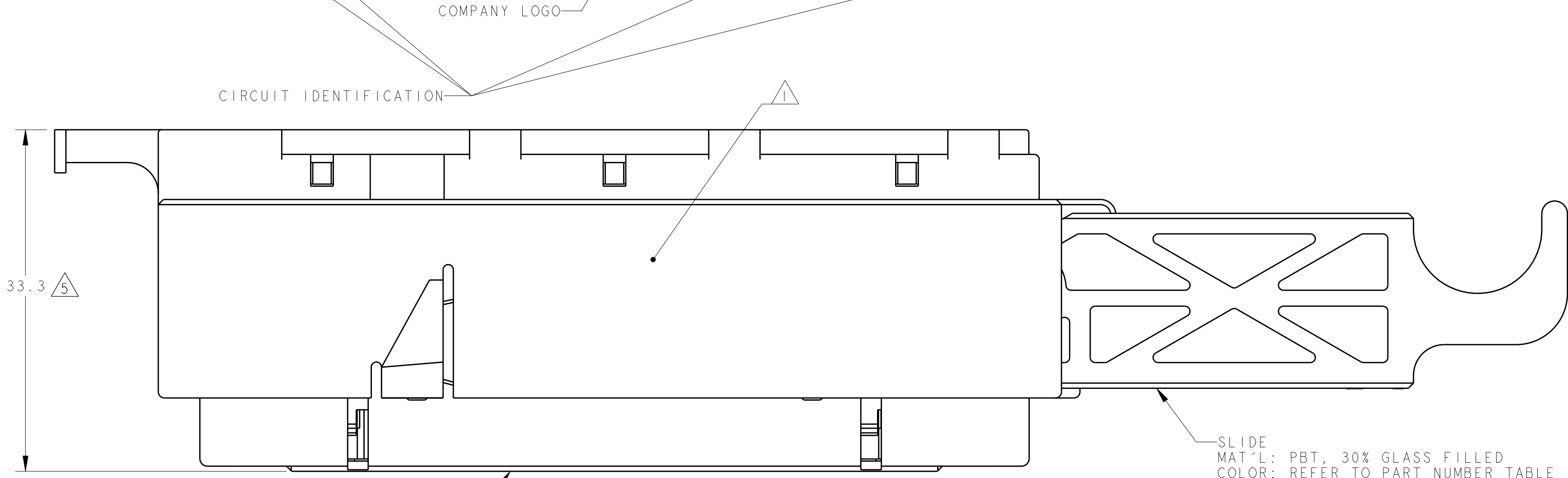
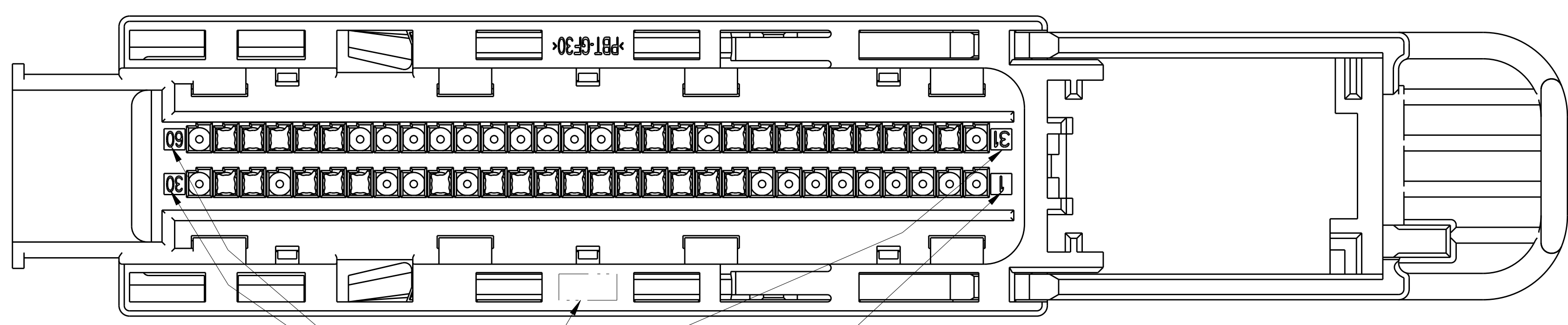
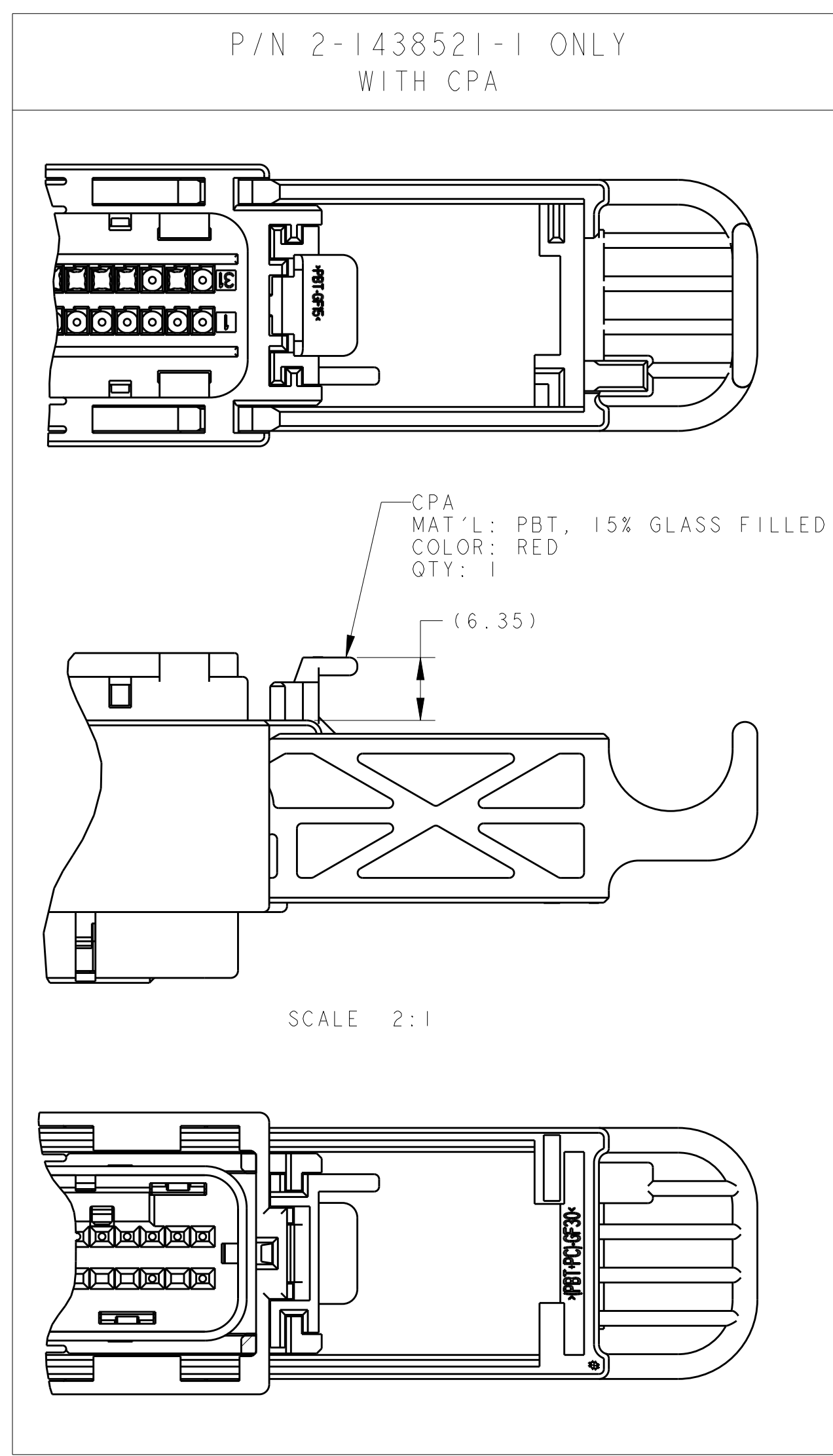


REVISIONS				
P.	LTN.	DESCRIPTION	DATE	APPV.
E7		REVISED PER ECO-16-007761	20MAY2016	DLD WEM
E8		REVISED PER ECO-17-006621	09MAY2017	DLD WEM
E9		REVISED PER ECO-20-012412	08SEP2020	AP HDC



SECTION X-X



- 1. TE CONNECTIVITY (TE) PART NUMBER AND JULIAN DATE CODE MARKED ON THIS SIDE.
- 2. KEYING ARRANGEMENT TABLE FOR KEYWAY LOCATIONS, SEE SHEET 2.
- 3. KEYING ARRANGEMENT TABLE FOR KEY LOCATIONS, SEE SHEET 2.
- 4. SLIDE SHOWN IN UNLOCKED POSITION.
- 5. TPA SHOWN IN UNLOCKED POSITION.
- 6. MISCELLANEOUS COMPONENT ENGAGE/DISENGAGE FORCE, SAE/USCAR-2, SECTION 5.4.4.4. TPA (PRE-SET TO FULL) FORCES (15 TO 55 NEWTONS)
- 7. APPLICABLE TE GET FEMALE TERMINALS:
FOR 0.22/0.35 WIRE SECTION,
TERMINAL PART NUMBER 1393364-2 (GOLD)
FOR 0.50/0.75 WIRE SECTION,
TERMINAL PART NUMBER 1393365-2 (GOLD)
FOR 0.22/0.35 WIRE SECTION,
TERMINAL PART NUMBER 1393367-1 (TIN)
FOR 0.50/0.75 WIRE SECTION,
TERMINAL PART NUMBER 1393366-1 (TIN)
- 8. REFER TO POGO PIN FOR GET SOCKET TERMINAL ON TE DRAWING #114-18411 FOR CONTINUITY TESTING.
- 9. NOT FOR PRODUCTION USE.
- 10. CPA ASSEMBLED IN UNLOCKED POSITION.

9	SLIDE COLOR	CIRCUIT ARRANGEMENT (SEE TABLE ON SHEET 2)	KEYING ARRANGEMENT (SEE TABLE ON SHEET 2)	PART NUMBER
	BLACK	C3	K99	9-1438521-8
	BLACK	C143	K1	2-1438521-8
	BLACK	C142	K1	2-1438521-7
	BLACK	C141	K1	2-1438521-6
	BLACK	C140	K1	2-1438521-5
	BLACK	C139	K1	2-1438521-4
	BLACK	C138	K1	2-1438521-2
	BLACK	C137	K1	2-1438521-1
	BLACK	C136	K1	2-1438521-0
	BLACK	C132	K1	1-1438521-7
	BLACK	C131	K1	1-1438521-6
	BLACK	C129	K1	1-1438521-5
	BLACK	C128	K1	1-1438521-4
	BLACK	C127	K1	1-1438521-3
	BLACK	C122	K1	1-1438521-2
	BLACK	C115	K1	1-1438521-1
	BLACK	C109	K1	1-1438521-0
OBSOLETE	BLACK	C108	K1	1-1438521-9
	BLACK	C107	K1	1438521-8
OBSOLETE	GRAY	C75	K1	1438521-7
OBSOLETE	BLACK	C74	K1	1438521-6
	BLACK	C73	K1	1438521-5
	BLACK	C62	K1	1438521-4
	BLACK	C61	K1	1438521-3
	BLACK	C49	K1	1438521-2
	BLACK	C3	K1	1438521-1

SEE SHEET 2 FOR HEADER INTERFACE SPECIFICATION AND SHEET 3 FOR KEYING AND CIRCUIT ARRANGEMENTS

THIS DRAWING IS A CONTROLLED DOCUMENT.

OWN: DL DRUMMOND 11FEB2005
CHK: AJ VALASEK 11FEB2005
APPV: AJ VALASEK 11FEB2005

DIMENSIONS: mm
TOLERANCES UNLESS OTHERWISE SPECIFIED:
0 PLC ±0.5
1 PLC ±0.5
2 PLC ±0.20
3 PLC ±0.20
4 PLC ±0.20
ANGLES ±0.5

MATERIAL: SEE CALLOUT
FINISH: SEE CALLOUT

APPLICATION SPEC: 114-13060
WEIGHT: 1.14-13060
CUSTOMER DRAWING

NAME: ASSEMBLY, FEMALE, 60 WAY GET, TCM, CONNECTOR
SIZE: A100779
CAGE CODE: 1438521
DRAWING NO: 1438521-1
SHEET 1 OF 3
REV E9

TE Connectivity

