

THIS DRAWING IS UNPUBLISHED.

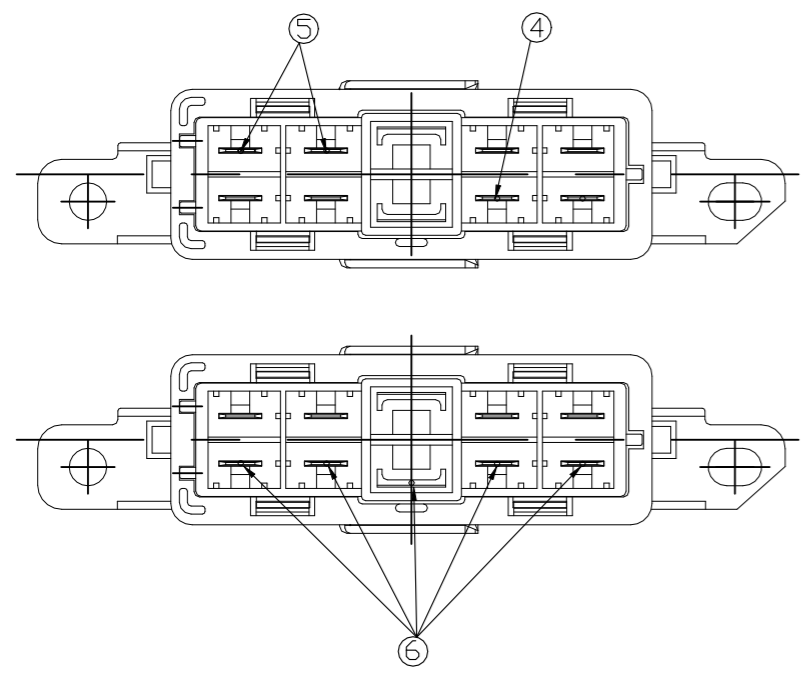
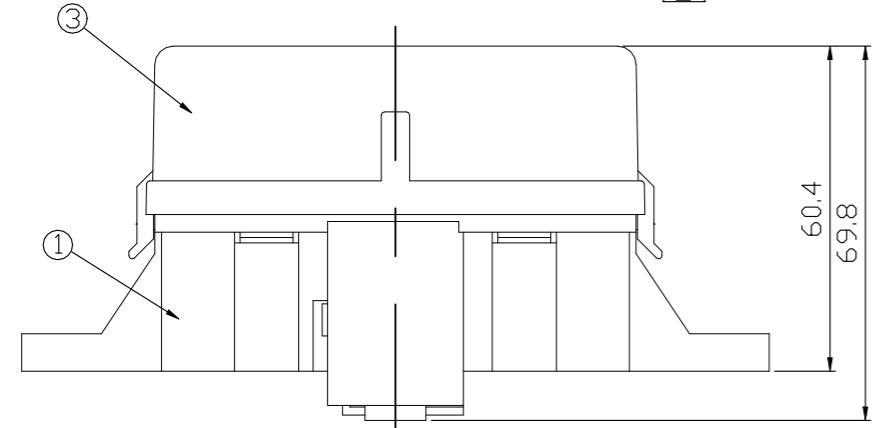
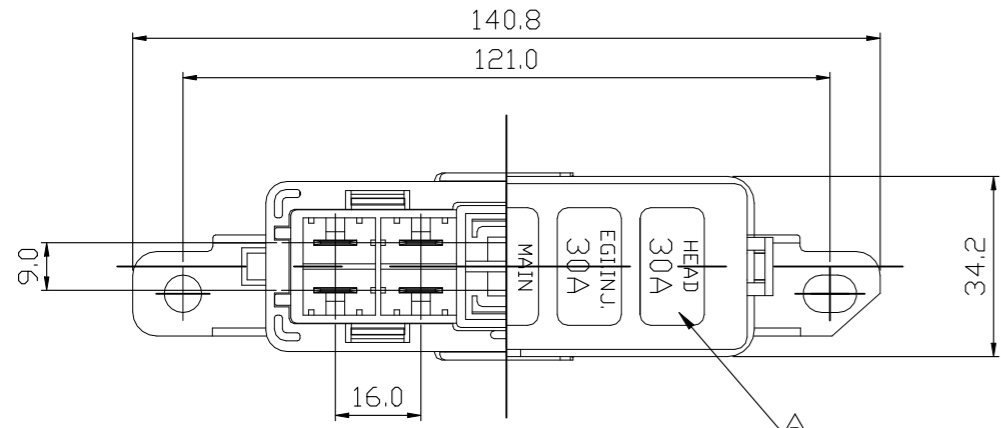
RELEASED FOR PUBLICATION

REVISIONS

© COPYRIGHT - TE Connectivity Ltd.

ALL RIGHTS RESERVED.

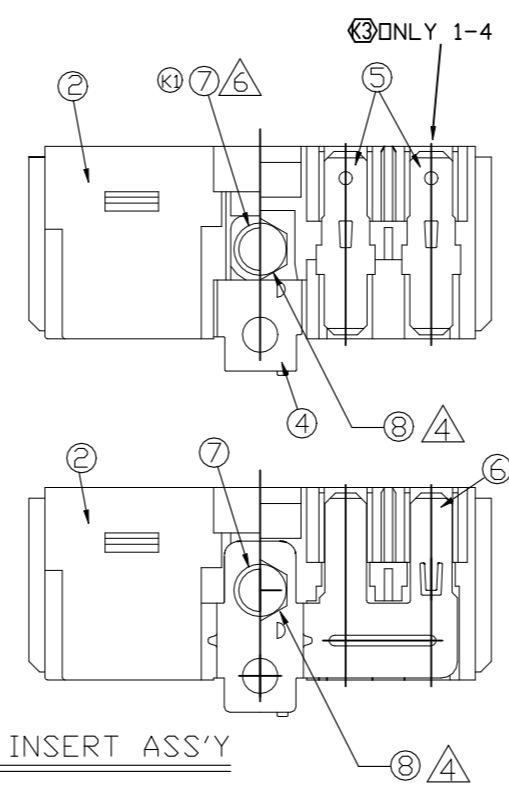
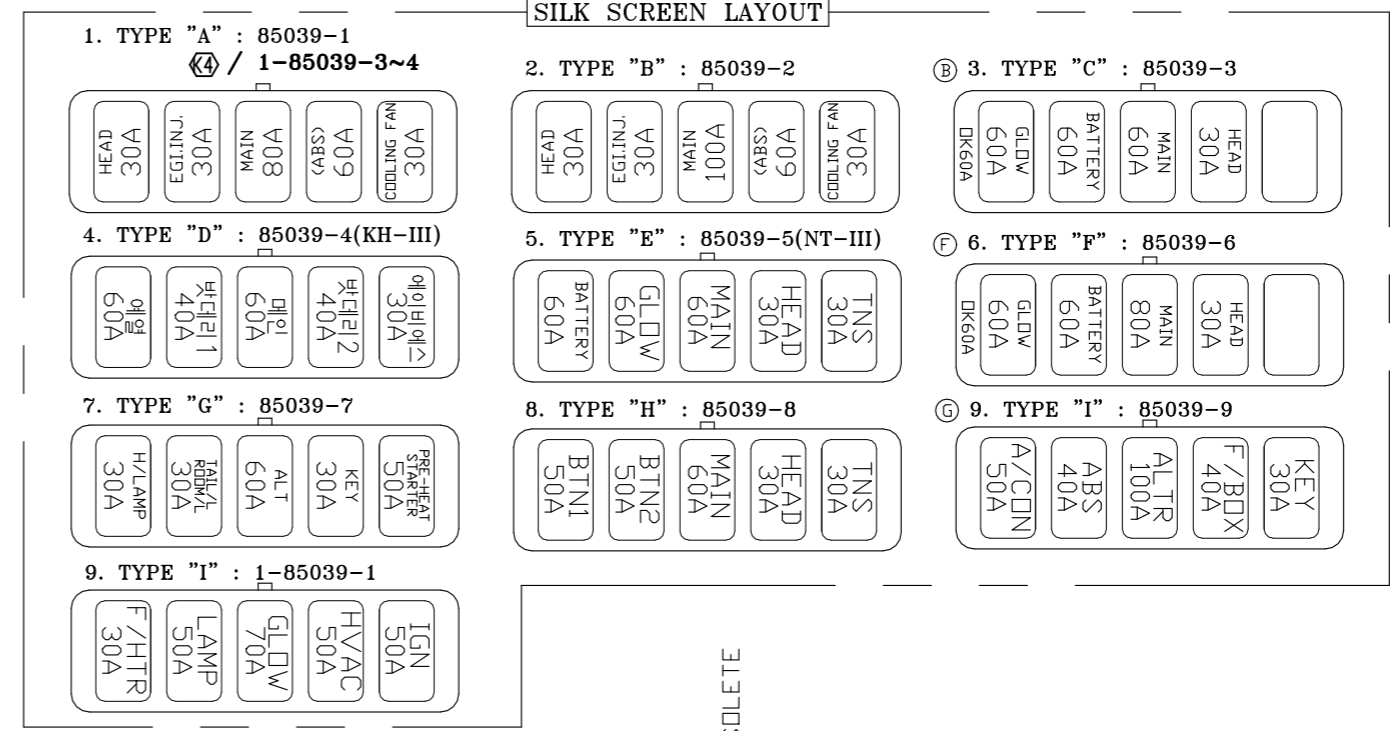
P	LTR	DESCRIPTION	DATE	DWN	APVD
	K4	REVISED (ECR-21-100957)	09MAR2021	SY	YJ



CONTACT LAYOUT

NOTE

- 1. GENERAL TOLERANCES : ±0.15 , ±1°30'
- PRINTED LETTER SHOULD BE CLEAR & LEGIBLE.
- MUST BE CHECKED COMPLETE LOCKING.
- REFERENCE ONLY, SHOULD NOT BE BOLTED.
- CONTACT LAYOUT SHOULD BE CONFIRMED.
- MATING BLDT TORQUE SPEC : 6N.m±1 (TORQUE SPEC EXCEPT TO FUSE STATUS) : MAX 5N.m)



FUSE BOX INSERT ASS'Y

QTY	UNIT	DESCRIPTION	PART NO.	DESCRIPTION	ITEM NO.	
2	2	SWCH10A	368981-1	HEXAGON BOLT	8	
2	2	SWCH10A	368982-1	SQUARE NUT	7	
1	1	BRASS	368838-1	5 POS. BUS-BAR	6	
1	1	BRASS	85351-1	.305 L/P TAB	5	
1	1	BRASS	85350-1	2 POS. BUS-BAR	4	
			85042-0	FUSE BOX COVER	3	
			1-85042-1	FUSE BOX COVER	3	
			85042-9	FUSE BOX COVER	3	
			85042-8	FUSE BOX COVER	3	
			85042-7	FUSE BOX COVER	3	
			85042-6	FUSE BOX COVER	3	
			85042-5	FUSE BOX COVER	3	
			85042-4	FUSE BOX COVER	3	
			85042-3	FUSE BOX COVER	3	
			85042-2	FUSE BOX COVER	3	
			85042-1	FUSE BOX COVER	3	
1	1	PHENOL	85041-1	FUSE BOX INSERT	2	
1	1	PP-TD30	85040-1	FUSE BOX FRAME	1	
1-4	3-21	1-9-8-7-6-5-4-3-2-1	RAW MAT'L	PART NO.	DESCRIPTION	ITEM NO.

THIS DRAWING IS A CONTROLLED DOCUMENT.

DIMENSIONS:	TOLERANCES UNLESS OTHERWISE SPECIFIED:
mm	
	0 PLC ± -
	1 PLC ± -
	2 PLC ± -
	3 PLC ± -
	4 PLC ± -
	ANGLES ± -
MATERIAL	FINISH
-	-

DWN SY SONG
 CHK CM PARK
 APVD YJ YOUN
 PRODUCT SPEC
 APPLICATION SPEC
 WEIGHT 0
 CUSTOMER DRAWING

STE TE Connectivity
 FUSE BOX ASS'Y - ENGINE
 SIZE A3 CAGE CODE 00779 DRAWING NO C-85039
 SCALE 1:1 SHEET 1 OF 1 REV K4