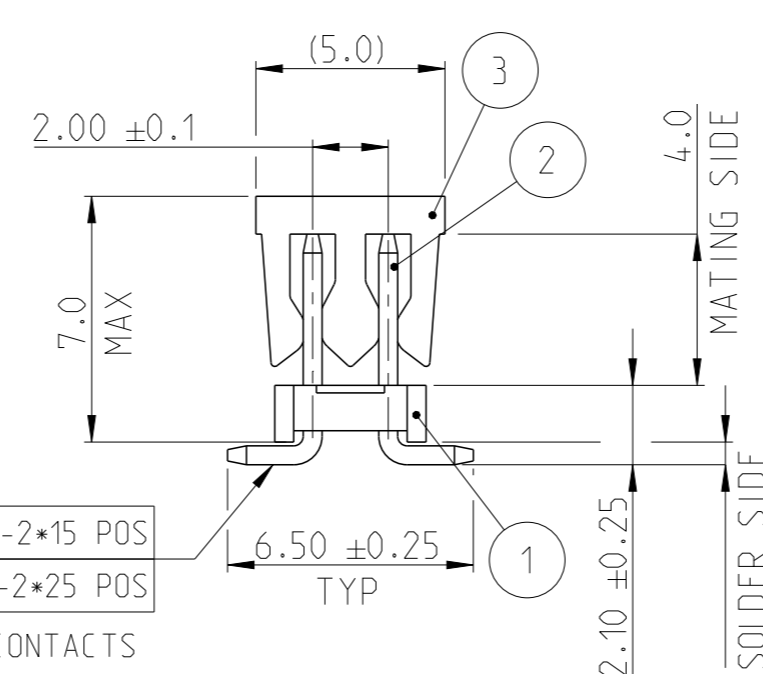
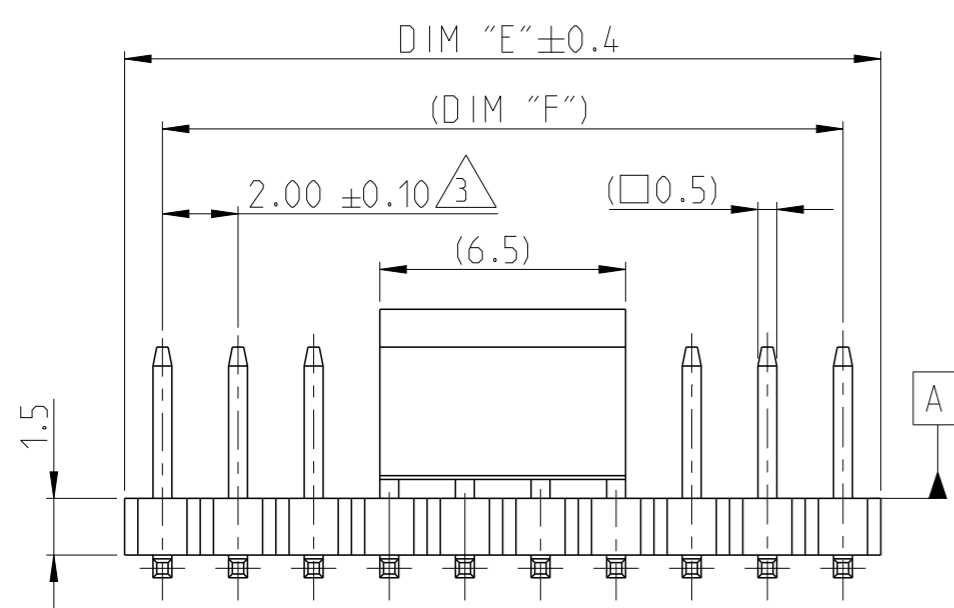


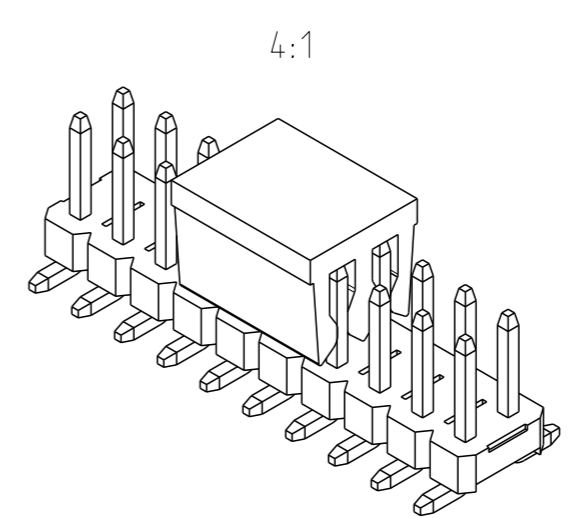
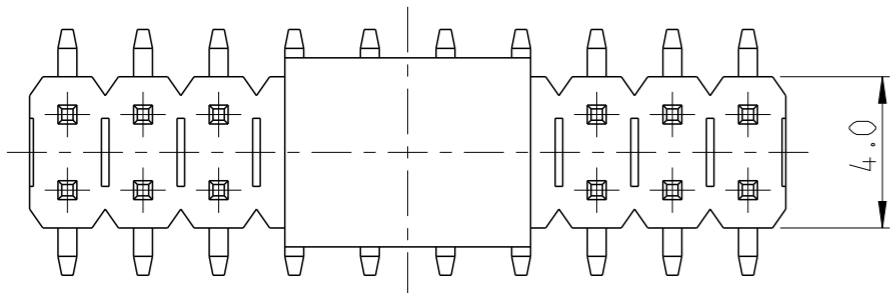
P	LTR	DESCRIPTION	DATE	DWN	APVD
A		PRODUCTION RELEASE	30AUG2019	SS	PS
A1		REMOVED TOLERANCE FROM DIM F	17DEC2019	AY	PS



- NOTES:
- MATERIAL HOUSING & P&P CAP : HIGH TEMPERATURE THERMOPLASTIC, UL94-V0;COLOR- BLACK
CONTACT PIN : COPPER ALLOY
FINISH : MIN 2.0 μm BRIGHT TIN OVER MIN NICKEL UNDER PLATING.
 - PACKAGING: TAPE AND REEL (WITH PICK AND PLACE CAP).
 - TOLERANCE NOT CUMULATIVE.
 - CUTTING BURR MAX. 0.25 mm.

	0.10	A	2*02-2*15 POS
	0.15	A	2*16-2*25 POS

ALL CONTACTS



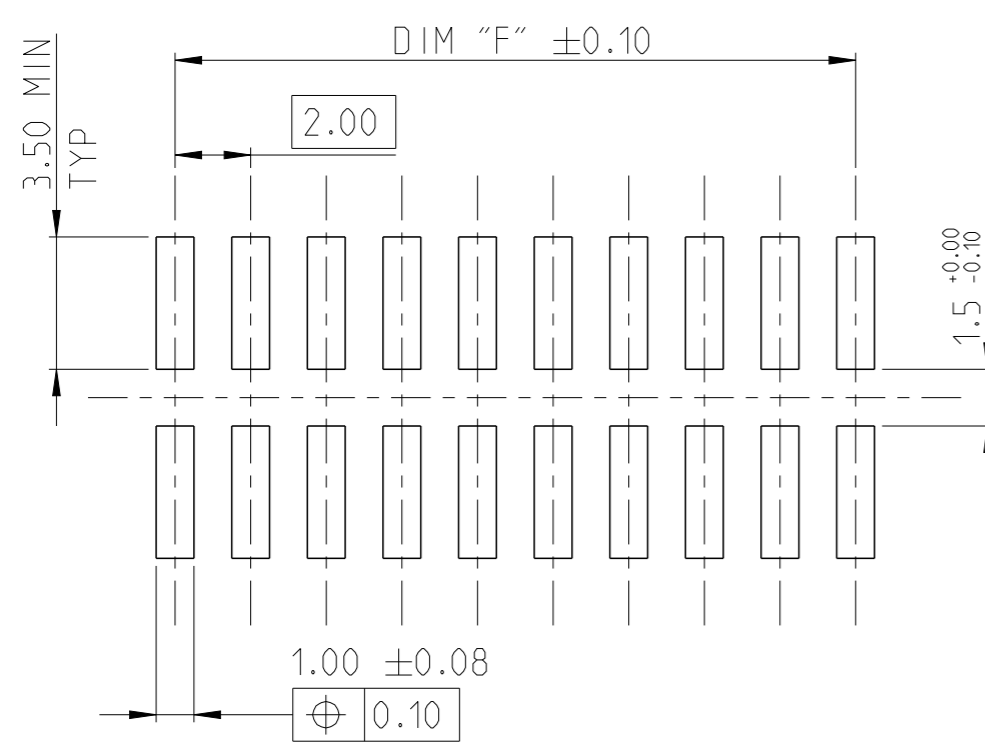
DIM "F"	DIM "E"	POS PER ROW	TE PN
48.0	50.0	25	2-2842141-5
46.0	48.0	24	2-2842141-4
44.0	46.0	23	2-2842141-3
42.0	44.0	22	2-2842141-2
40.0	42.0	21	2-2842141-1
38.0	40.0	20	2-2842141-0
36.0	38.0	19	1-2842141-9
34.0	36.0	18	1-2842141-8
32.0	34.0	17	1-2842141-7
30.0	32.0	16	1-2842141-6
28.0	30.0	15	1-2842141-5
26.0	28.0	14	1-2842141-4
24.0	26.0	13	1-2842141-3
22.0	24.0	12	1-2842141-2
20.0	22.0	11	1-2842141-1
18.0	20.0	10	1-2842141-0
16.0	18.0	9	2842141-9
14.0	16.0	8	2842141-8
12.0	14.0	7	2842141-7
10.0	12.0	6	2842141-6
8.0	10.0	5	2842141-5
6.0	8.0	4	2842141-4
4.0	6.0	3	2842141-3
2.0	4.0	2	2842141-2

1-2842141-0 AS SHOWN

PICK AND PLACE CAP	3
CONTACT PIN	2
HOUSING	1
DESCRIPTION	ITEM NO.

THIS DRAWING IS A CONTROLLED DOCUMENT.		DWN 09AUG2019 SUBHASREE S
DIMENSIONS: mm		CHK 13AUG2019 KARTHIK JK
TOLERANCES UNLESS OTHERWISE SPECIFIED:		APVD 14AUG2019 PRASHANTH S
0 PLC ±	±0.2	PRODUCT SPEC 108-64040
1 PLC ±	±0.15	APPLICATION SPEC 114-32259
2 PLC ±	±	WEIGHT -
3 PLC ±	±	
4 PLC ±	±	
ANGLES ±°	±2°	
MATERIAL SEE NOTES	FINISH SEE NOTES	

		NAME	
		AMPMODU 2mm BREAKAWAY HEADER, DUAL ROW, VERTICAL SMD, Sn TR, WITH PICK AND PLACE CAP	
SIZE	CAGE CODE	DRAWING NO	RESTRICTED TO
A3	00779	©=2842141	-
CUSTOMER DRAWING		SCALE 5:1	SHEET 1 OF 1 REV A1



RECOMMENDED PCB PATTERN