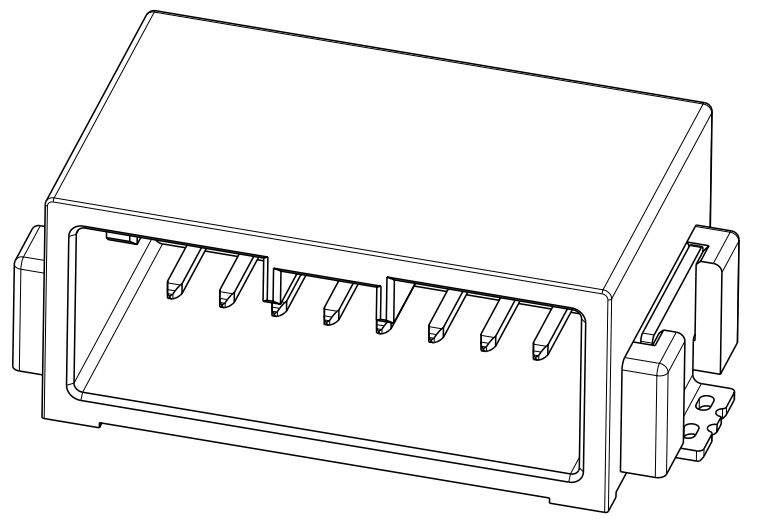
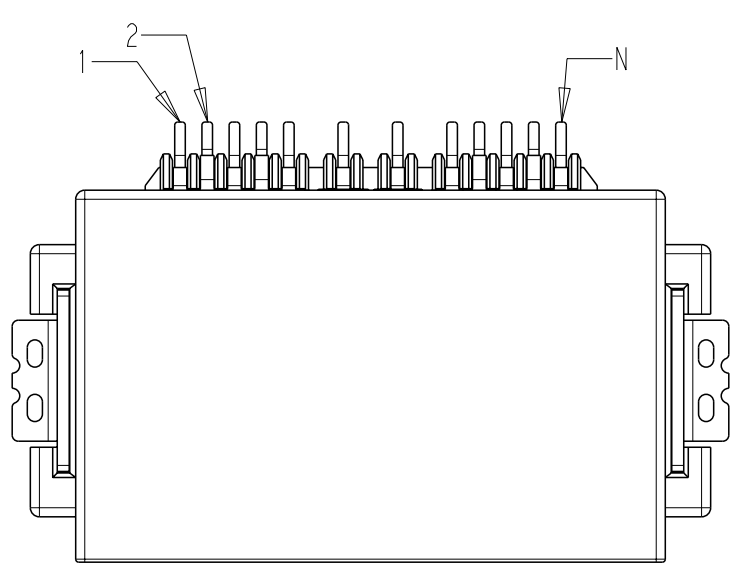
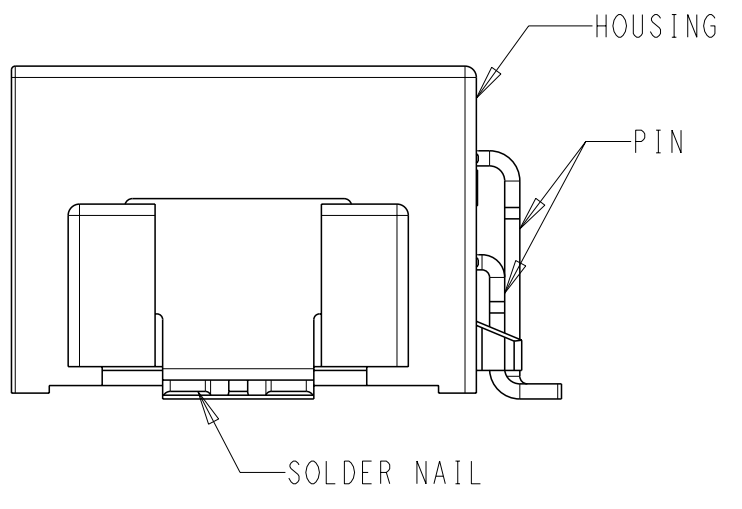
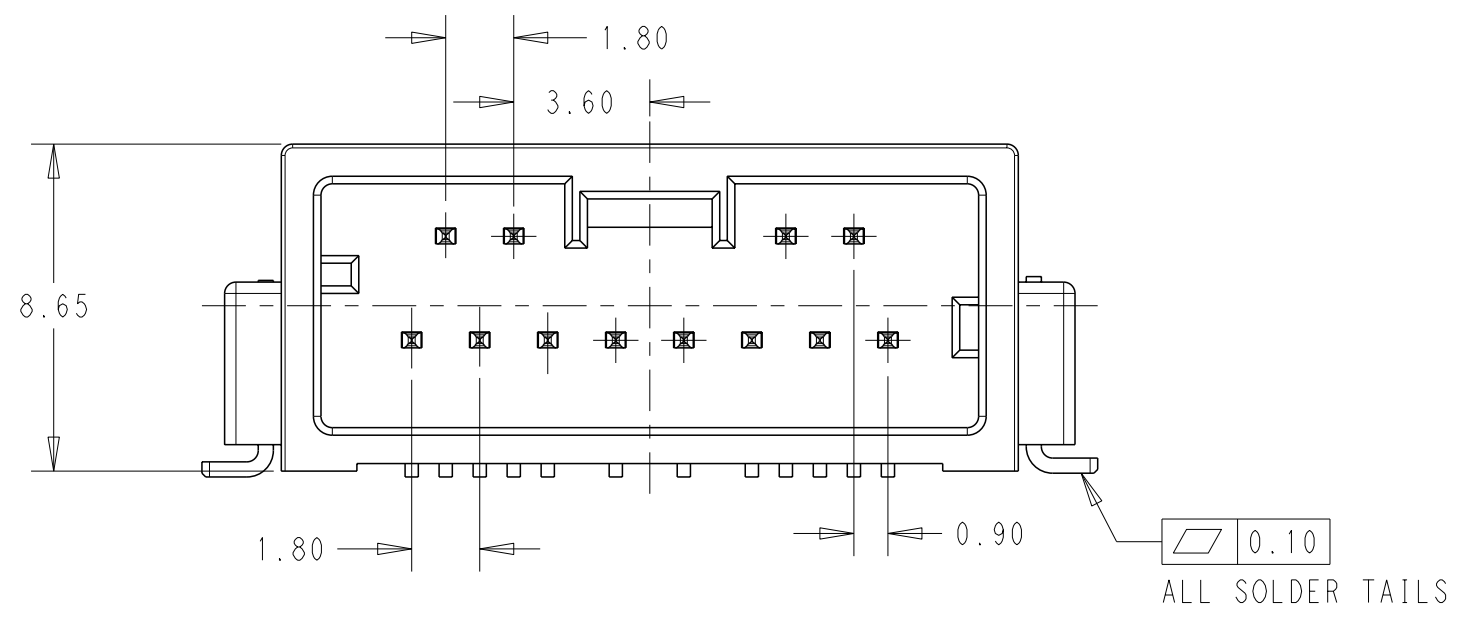
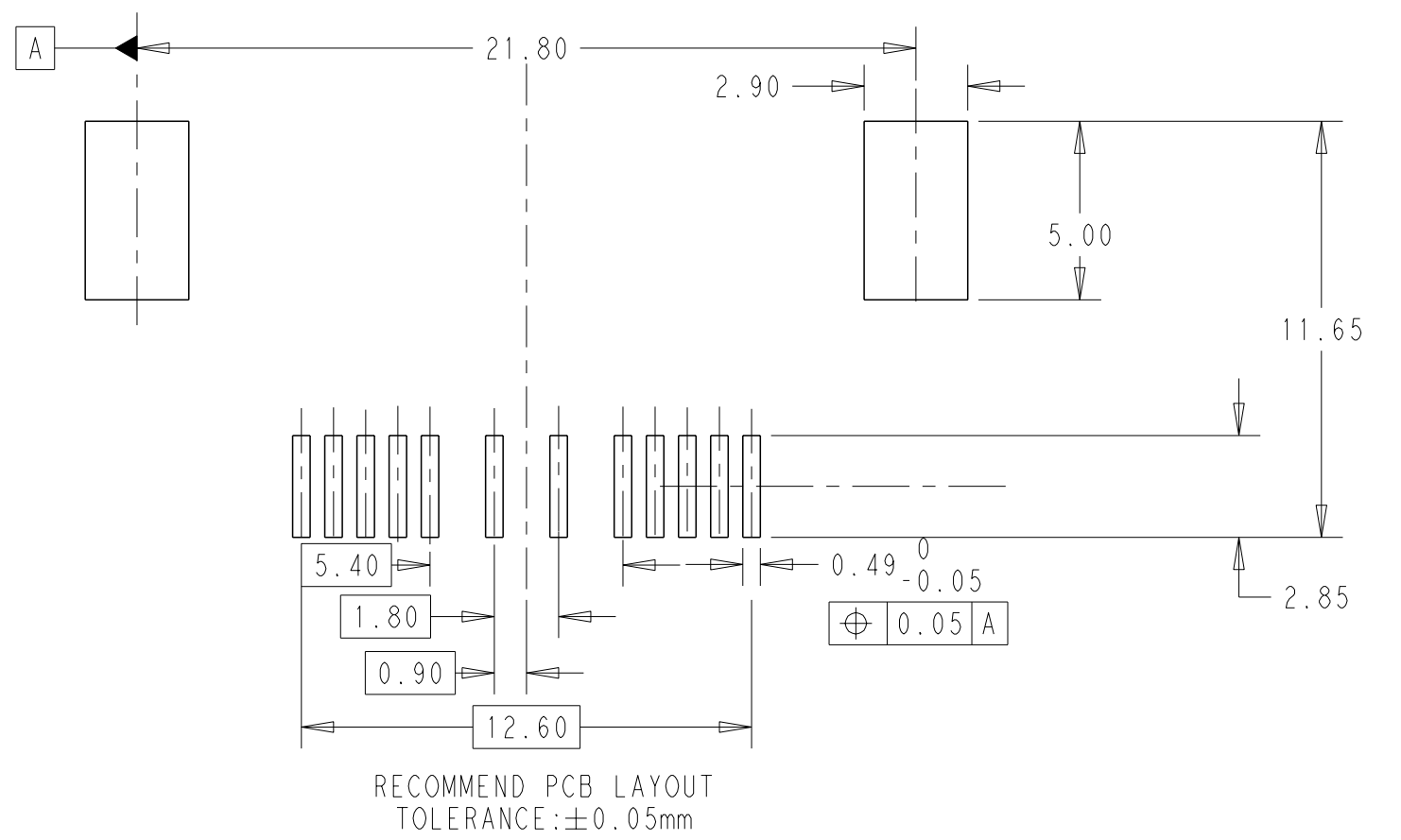
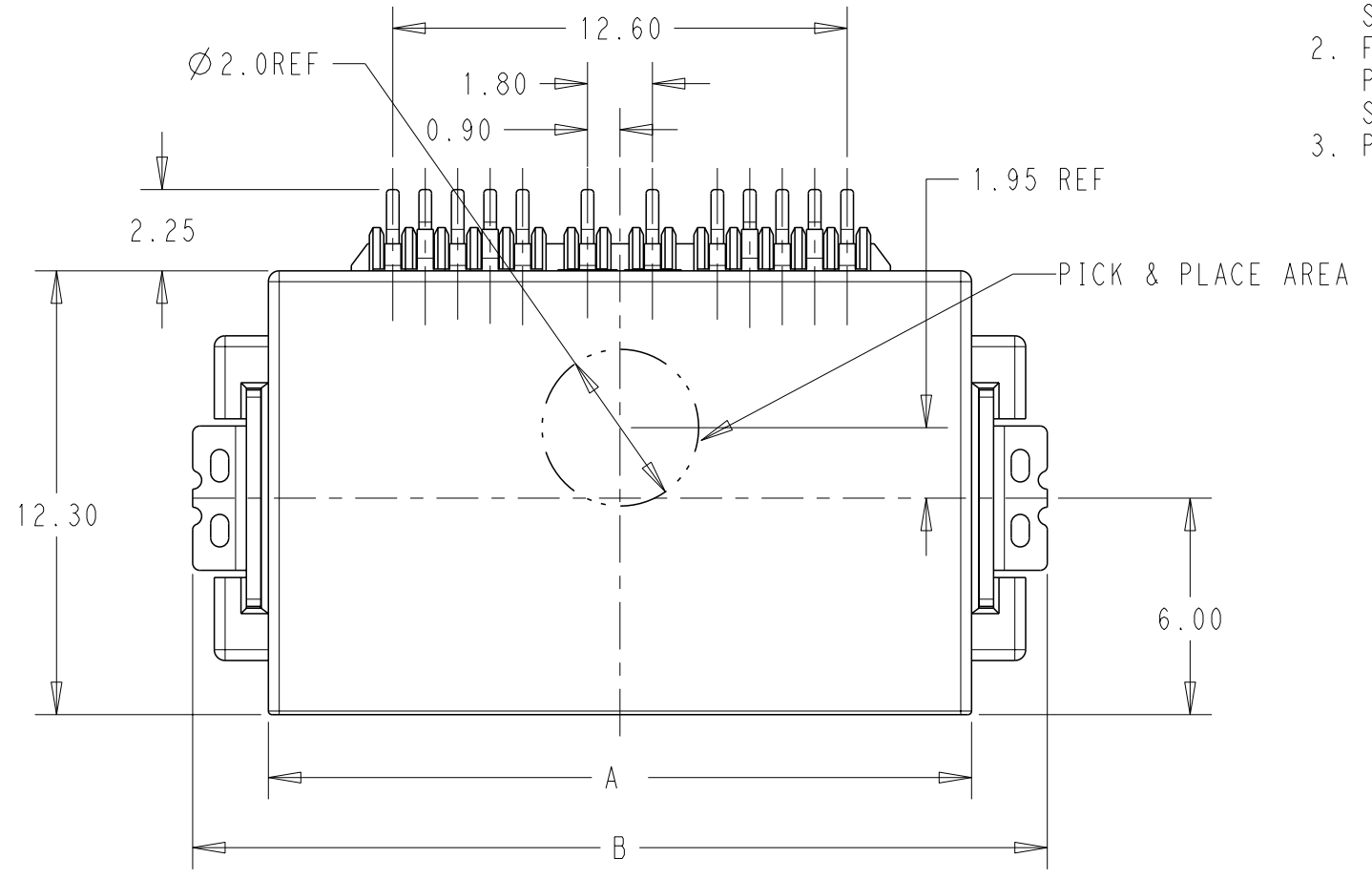


THIS DRAWING IS UNPUBLISHED. RELEASED FOR PUBLICATION 20
 © COPYRIGHT 20 BY - ALL RIGHTS RESERVED.

| REVISIONS | | | | |
|-----------|-----|---------------|-----------|---------|
| P | LTR | DESCRIPTION | DATE | APVD |
| A | | ECR-21-123282 | 07DEC2021 | F.F M.S |
| B | | ECR-22-131698 | 08MAR2022 | F.F M.S |

- NOTES :
- MATERIAL:
 HOUSING: HIGH TEMPERATURE THERMO PLASTIC, COLOR BLACK.
 PIN: COPPER ALLOY.
 SOLDER NAIL: BRASS.
 - FINISH:
 PIN: TIN PLATING OVER NICKEL PLATING OVERALL.
 SOLDER NAIL: TIN PLATING OVER NICKEL PLATING OVERALL.
 - PACKAGED IN TAPE AND REEL INSIDE OF CARTON.



| | | | | |
|-------------|-------------|----------|-------------|-------------|
| 52.50 | 48.30 | 44 | 4-2834499-4 | 4-2834465-4 |
| 48.90 | 44.70 | 40 | 4-2834499-0 | 4-2834465-0 |
| 45.30 | 41.10 | 36 | 3-2834499-6 | 3-2834465-6 |
| 41.70 | 37.50 | 32 | 3-2834499-2 | 3-2834465-2 |
| 38.10 | 33.90 | 28 | 2-2834499-8 | 2-2834465-8 |
| 34.50 | 30.30 | 24 | 2-2834499-4 | 2-2834465-4 |
| 30.90 | 26.70 | 20 | 2-2834499-0 | 2-2834465-0 |
| 27.30 | 23.10 | 16 | 1-2834499-6 | 1-2834465-6 |
| 23.70 | 19.50 | 12 | 1-2834499-2 | 1-2834465-2 |
| DIMENSION B | DIMENSION A | POSITION | PN (Y KEY) | PN (X KEY) |

PIN DEFINITION AS SHOWN,
 N MEANS MAX POSITIONS:
 FOR EXAMPLE: N=12, PN IS 1-2834465-2

AS SHOWN: 1-2834465-2

THIS DRAWING IS A CONTROLLED DOCUMENT.

DWN: FRANK FAN 01MAR2021
 CHK: GEORGE FU 01MAR2021
 APVD: MING SHI 01MAR2021

TE Connectivity

NAME: MINIDYNAMIC HEADER
 1.8 MM PITCH SMT TYPE

PRODUCT SPEC: 108-137443
 APPLICATION SPEC: -

MATERIAL: -
 DIMENSIONS: mm
 TOLERANCES UNLESS OTHERWISE SPECIFIED:
 0 PLC ±
 1 PLC ±
 2 PLC ±0.25
 3 PLC ±
 4 PLC ±
 ANGLES ±
 FINISH -

WEIGHT: -

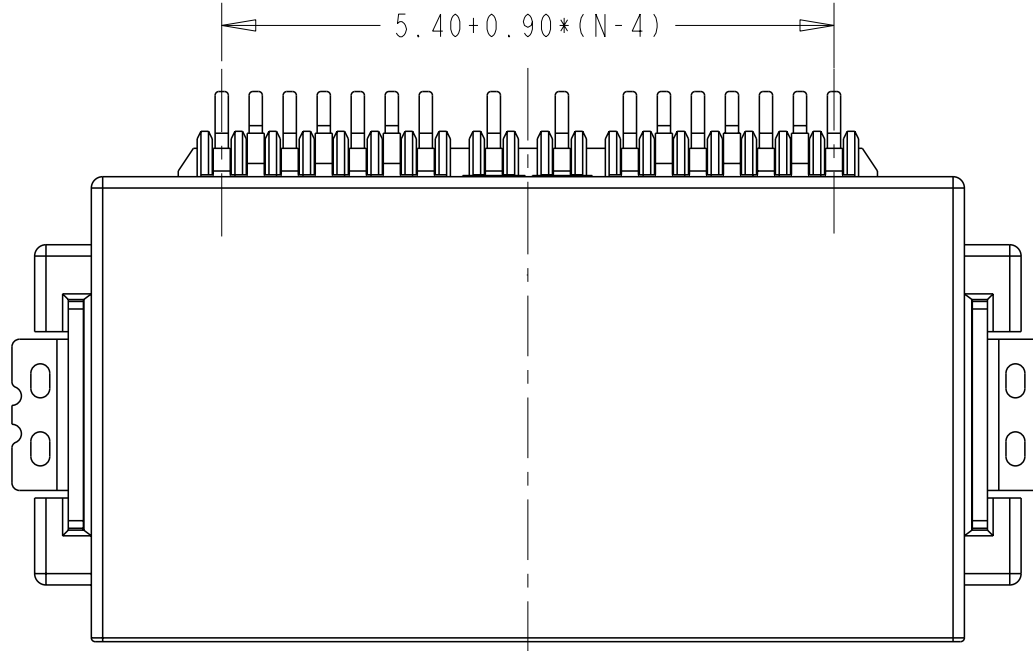
CUSTOMER DRAWING

SCALE: 4:1
 SHEET: 1 OF 4
 REV: B

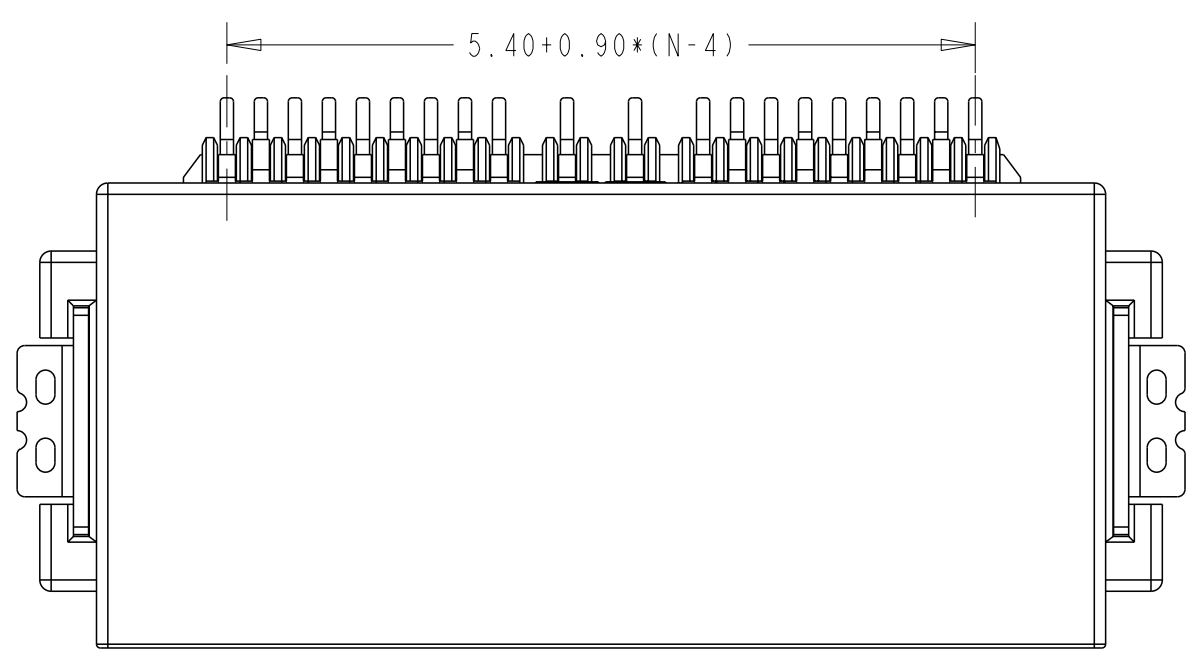
Printed on 8 Mar 2022 11:54 (China Standard Time) from TE310617

THIS DRAWING IS UNPUBLISHED. RELEASED FOR PUBLICATION 20
 © COPYRIGHT 20 BY - ALL RIGHTS RESERVED.

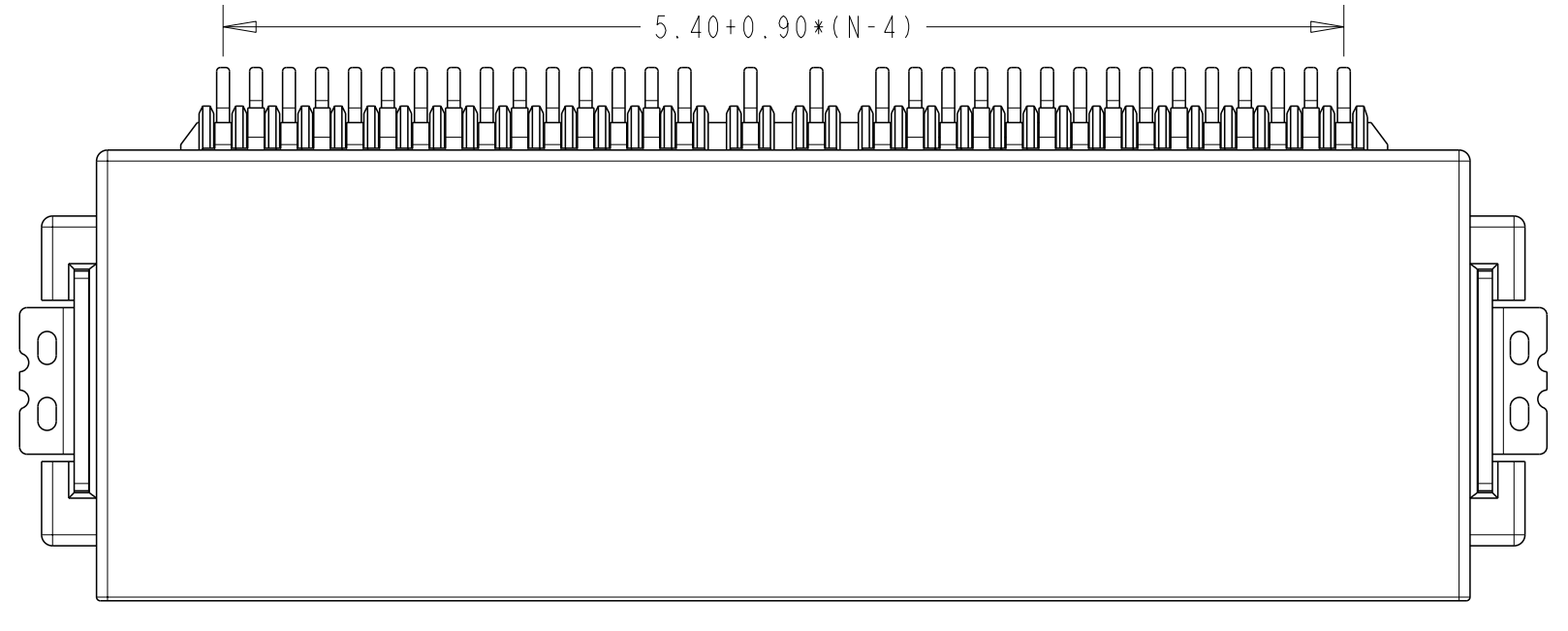
| REVISIONS | | | | |
|-----------|-----|-------------|------|------|
| P | LTR | DESCRIPTION | DATE | APVD |
| | | SEE SHEET 1 | | |
| | | | | |
| | | | | |



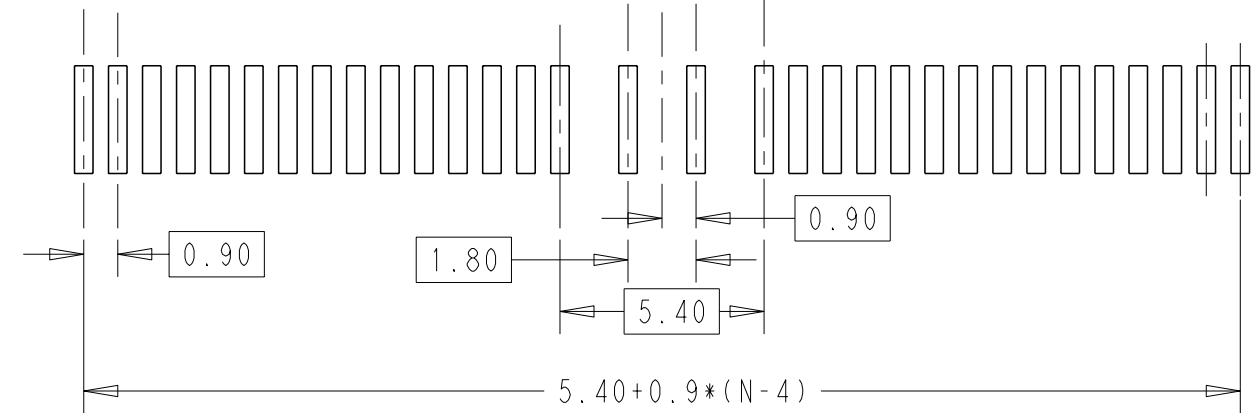
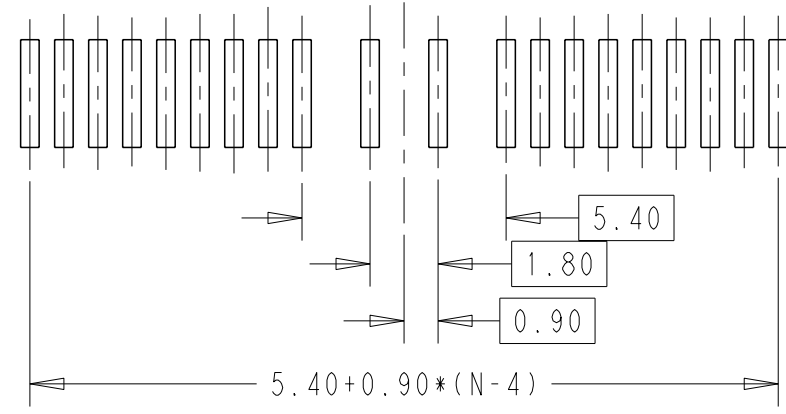
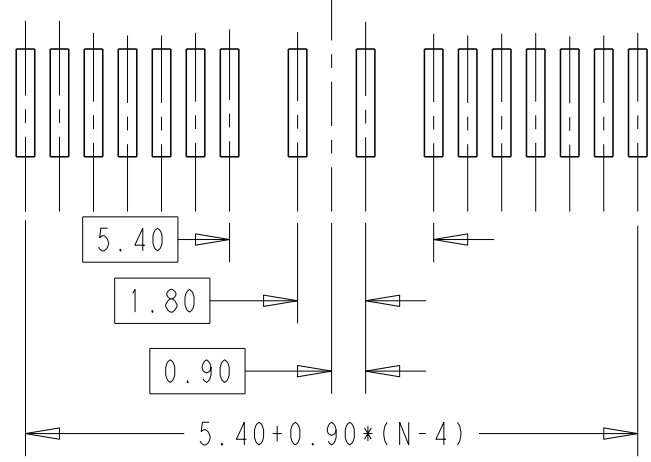
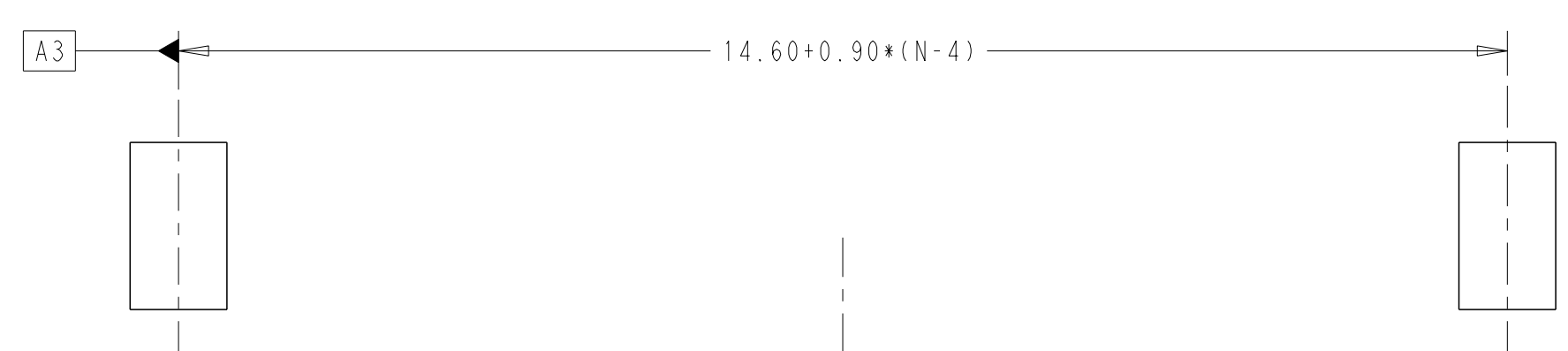
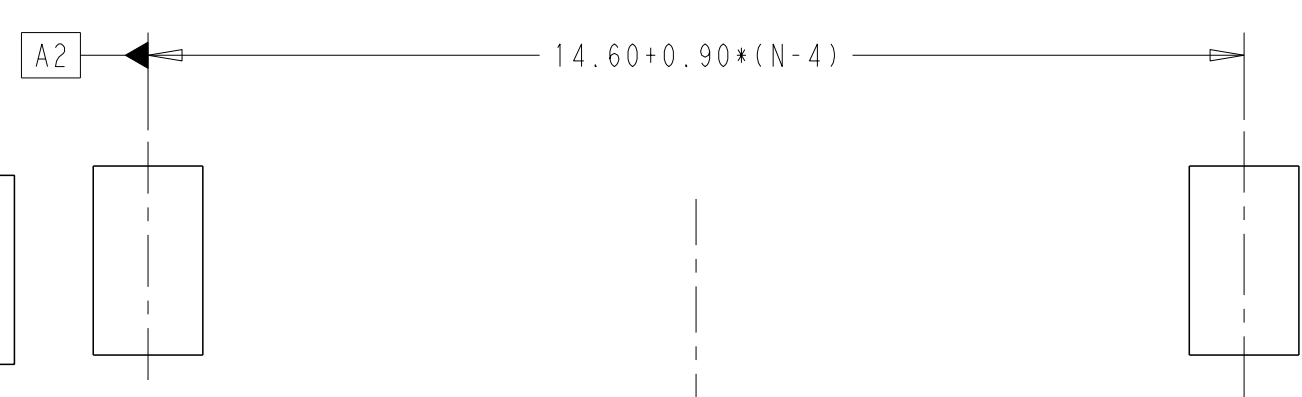
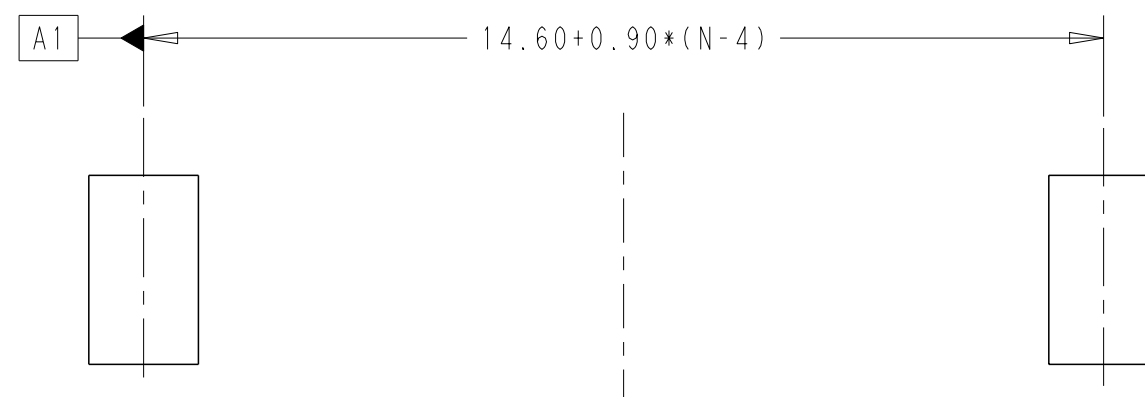
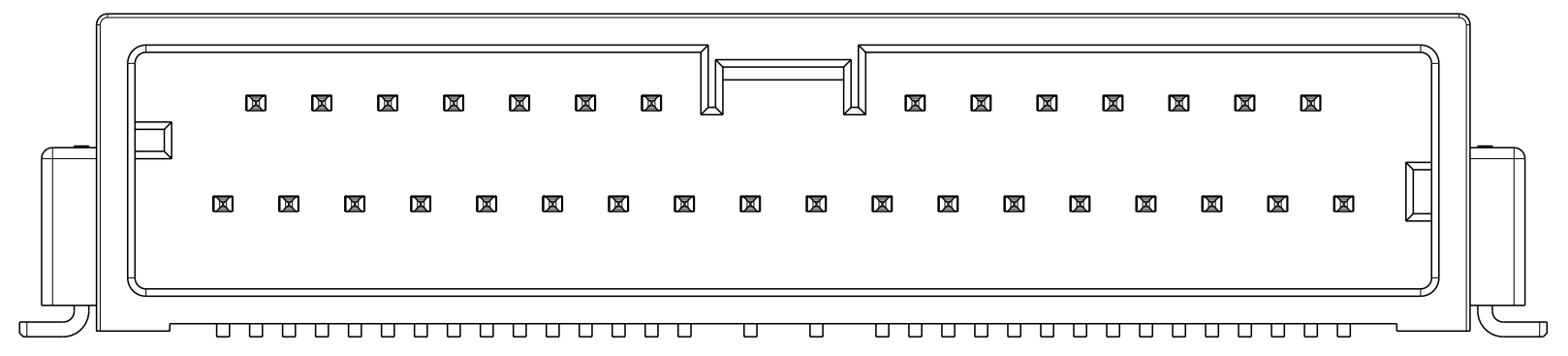
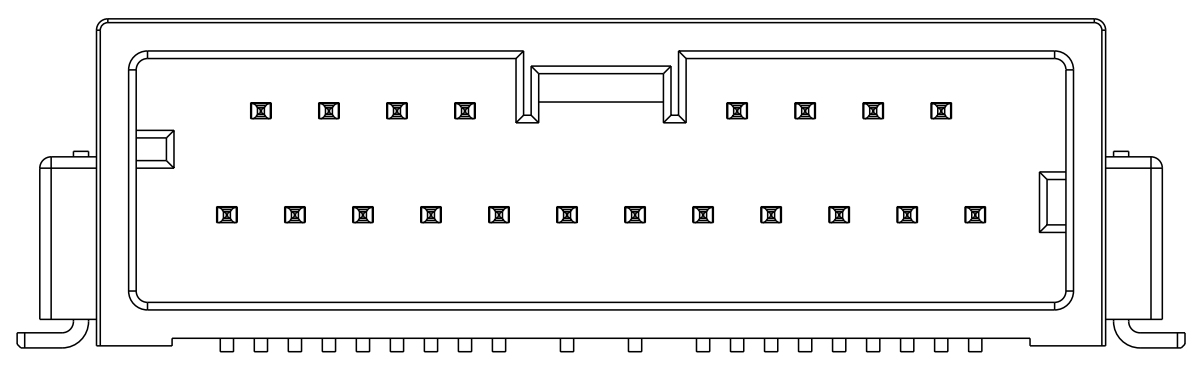
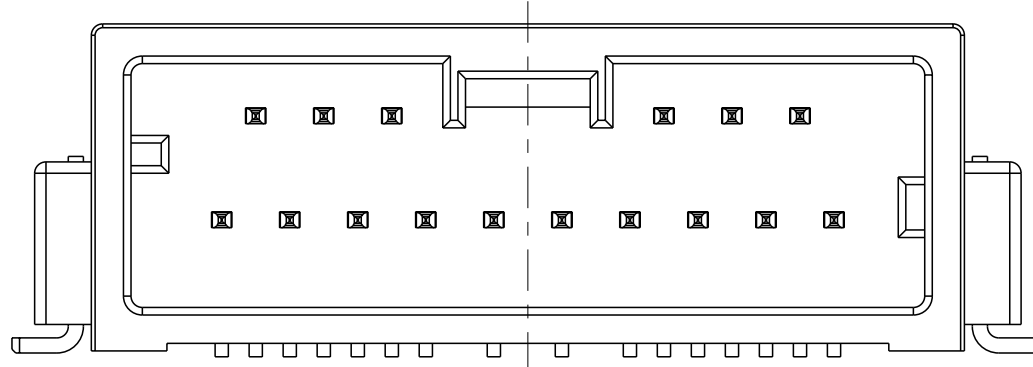
1-2834465-6



2-2834465-0



3-2834465-2

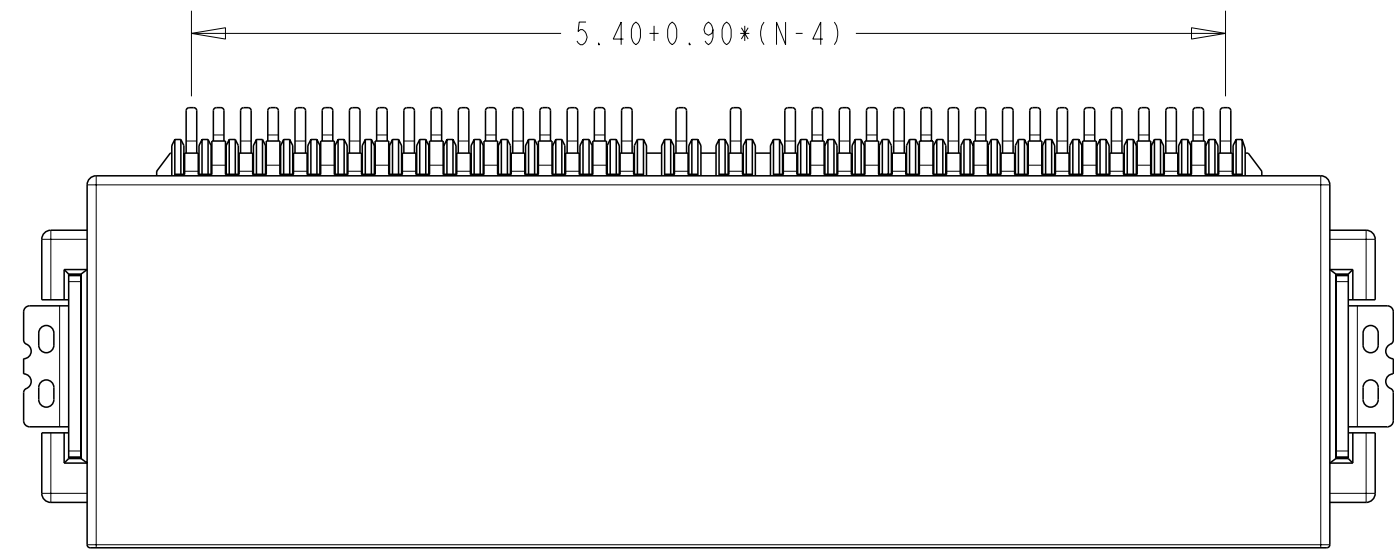


| | | | | |
|---|--|-------------------------------|---|--------------------|
| THIS DRAWING IS A CONTROLLED DOCUMENT. | | DWN FRANK FAN 01MAR2021 | STE TE Connectivity | |
| DIMENSIONS: mm | | CHK GEORGE FU 01MAR2021 | | |
| TOLERANCES UNLESS OTHERWISE SPECIFIED: | | APVD MING SHI 01MAR2021 | NAME MINIDYNAMIC HEADER 1.8 MM PITCH SMT TYPE | |
| 0 PLC ± 1 PLC ± 2 PLC ±0.25 3 PLC ± 4 PLC ± | | PRODUCT SPEC 108-137443 | SIZE A2 | CAGE CODE - |
| MATERIAL - | | FINISH - | DRAWING NO C-2834465 | RESTRICTED TO - |
| - | | CUSTOMER DRAWING | SCALE 4:1 | SHEET 2 OF 4 |
| | | | REV B | |

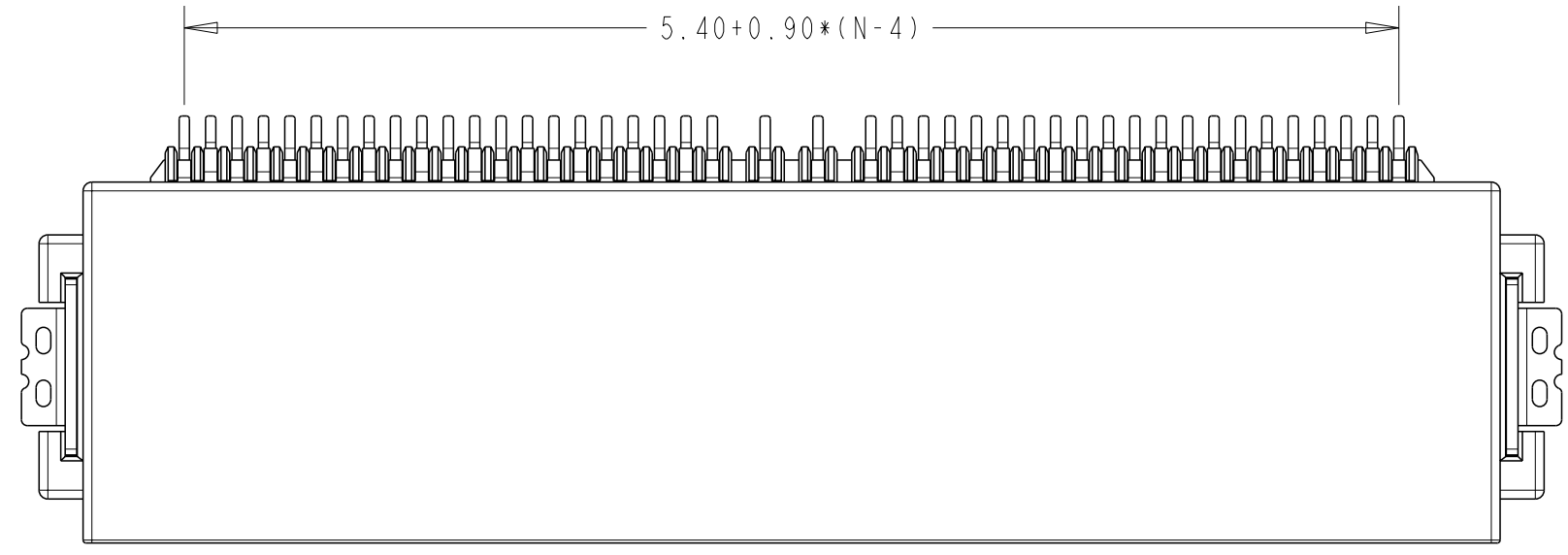
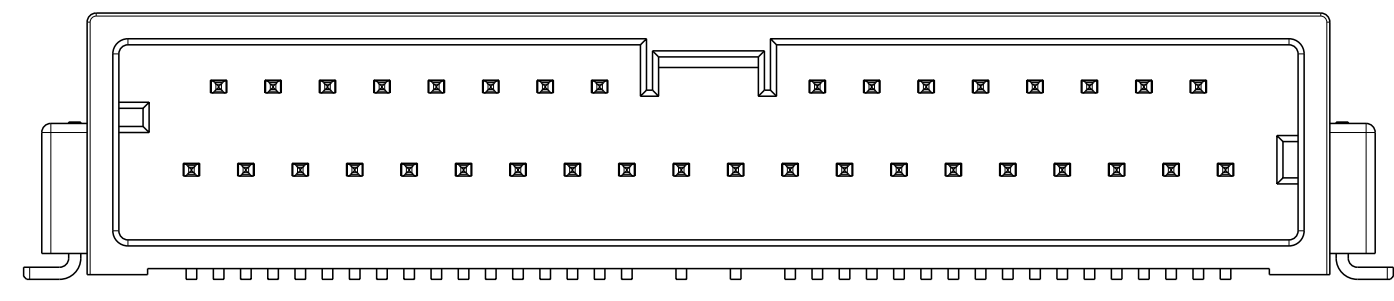
Printed on 8 Mar 2022 11:54 (China Standard Time) from TE310617

THIS DRAWING IS UNPUBLISHED. RELEASED FOR PUBLICATION 20
 © COPYRIGHT 20 BY - ALL RIGHTS RESERVED.

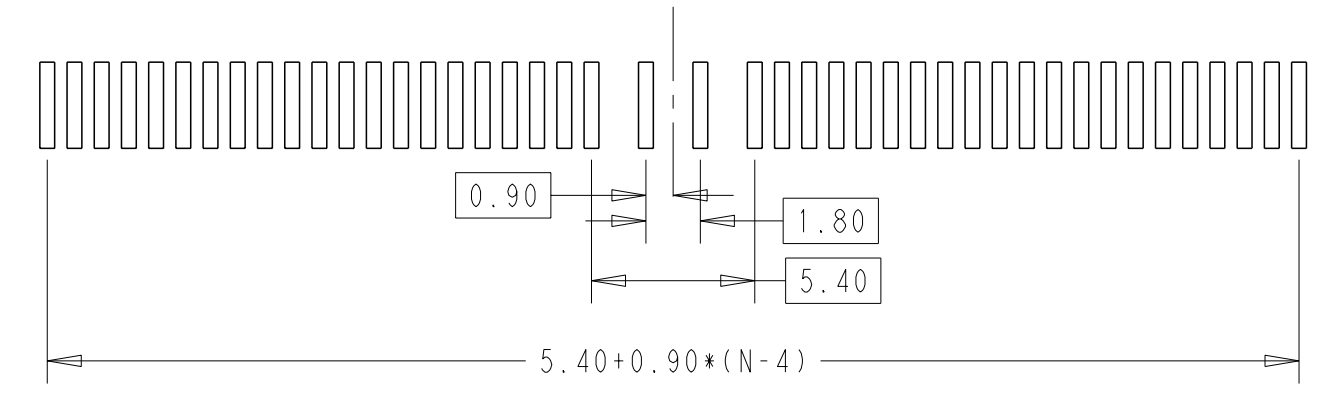
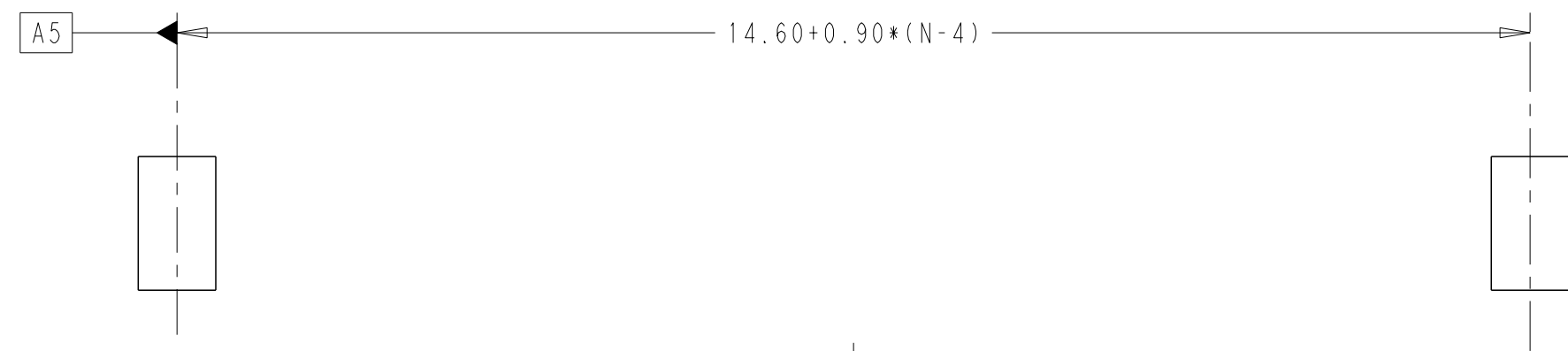
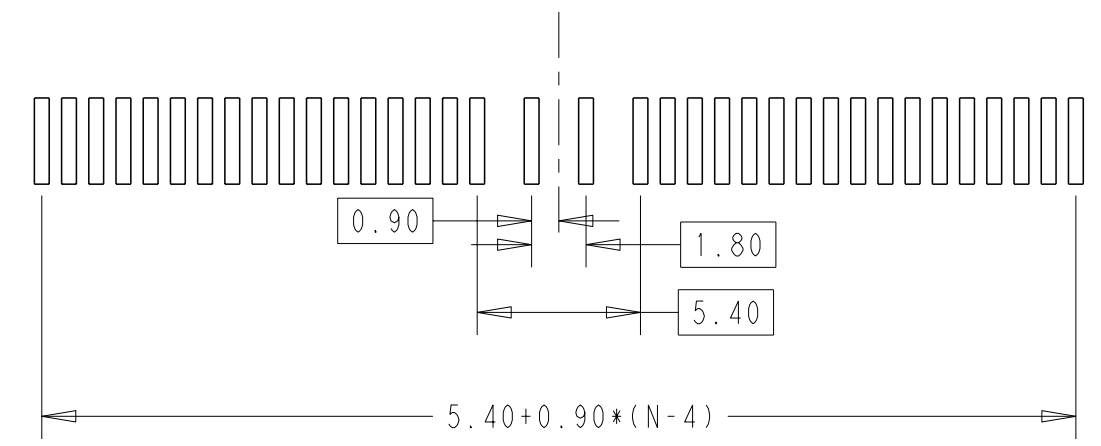
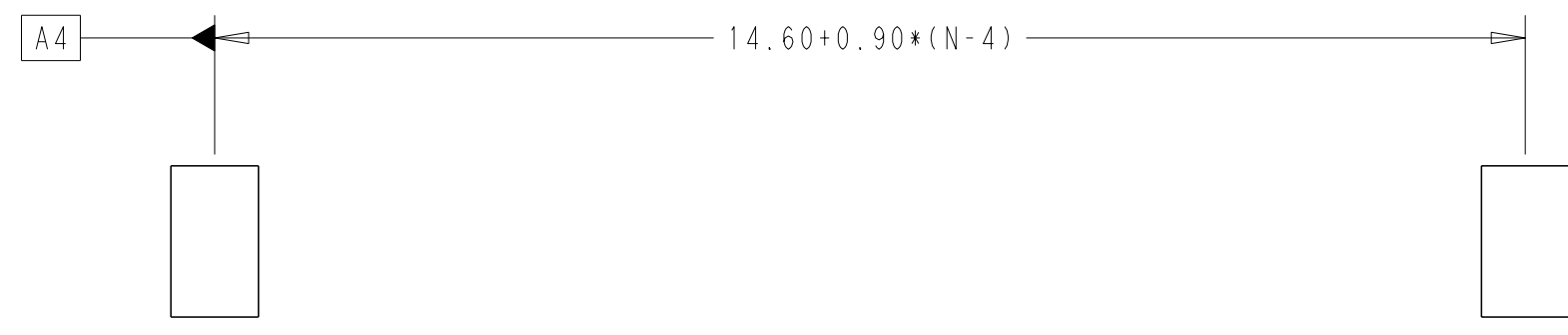
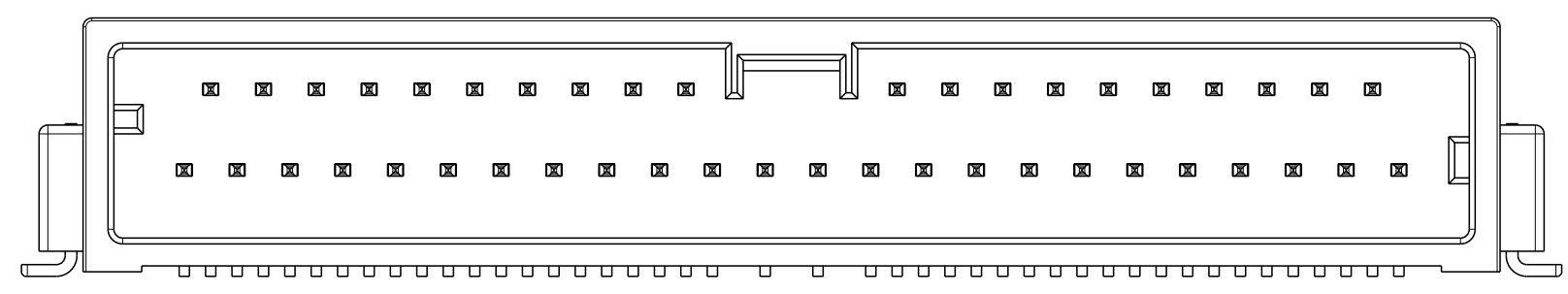
| REVISIONS | | | | |
|-----------|-----|-------------|------|------|
| P | LTR | DESCRIPTION | DATE | APVD |
| | | SEE SHEET 1 | | |
| | | | | |
| | | | | |



3-2834465-6



4-2834465-4

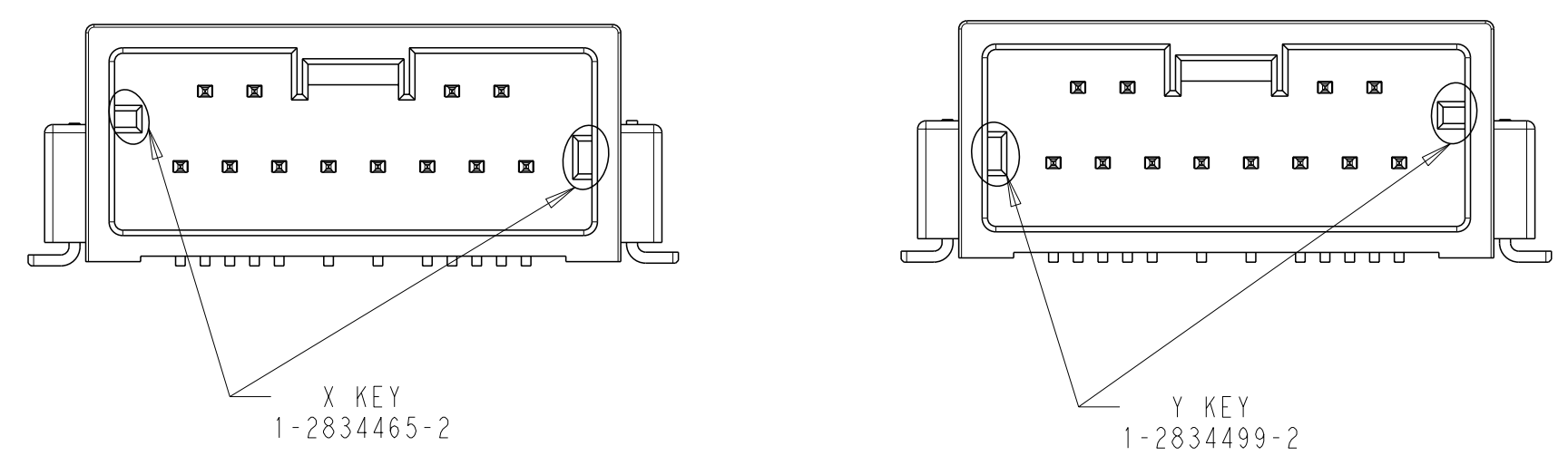


| | | | | |
|--|--|-------------------------------|---|-------------------------|
| THIS DRAWING IS A CONTROLLED DOCUMENT. | | DWN FRANK FAN 01MAR2021 | STE TE Connectivity | |
| DIMENSIONS: mm | | CHK GEORGE FU 01MAR2021 | | |
| TOLERANCES UNLESS OTHERWISE SPECIFIED: | | APVD MING SHI 01MAR2021 | NAME MINIDYNAMIC HEADER 1.8 MM PITCH SMT TYPE | |
| 0 PLC ±- | | PRODUCT SPEC 108-137443 | SIZE A2 | |
| 1 PLC ±- | | APPLICATION SPEC - | CAGE CODE - | DRAWING NO C-2834465 |
| 2 PLC ±0.25 | | WEIGHT - | RESTRICTED TO - | |
| 3 PLC ±- | | CUSTOMER DRAWING | SCALE 4:1 | SHEET 3 OF 4 |
| 4 PLC ±- | | | REV B | |
| ANGLES ±- | | | | |
| FINISH - | | | | |

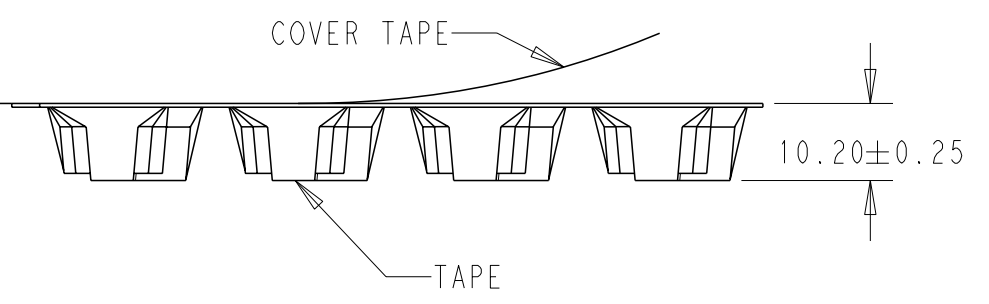
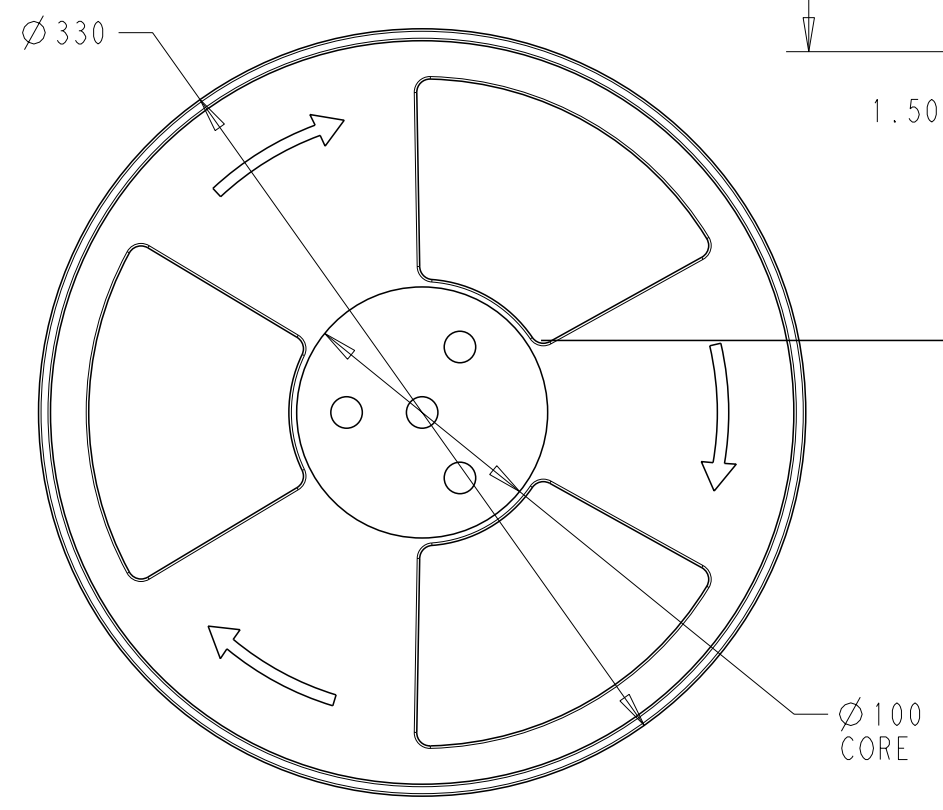
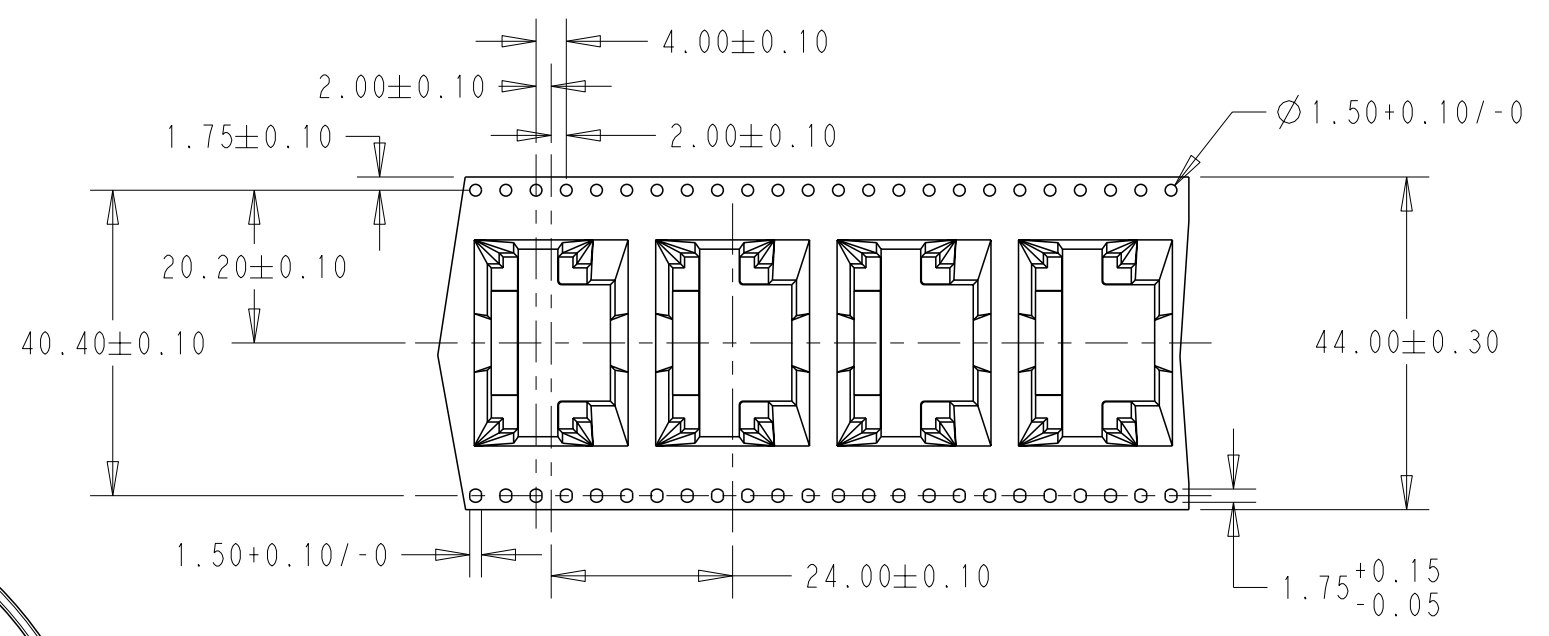
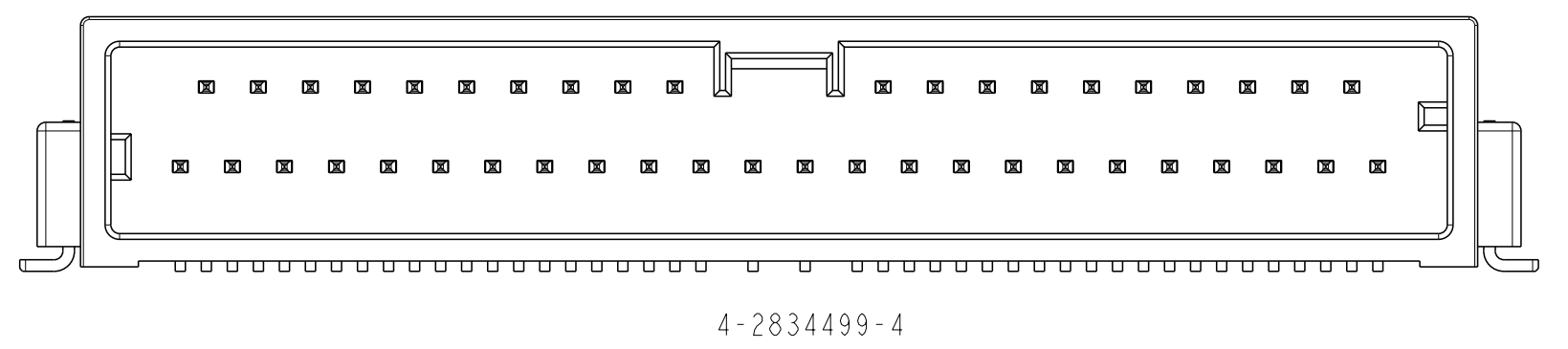
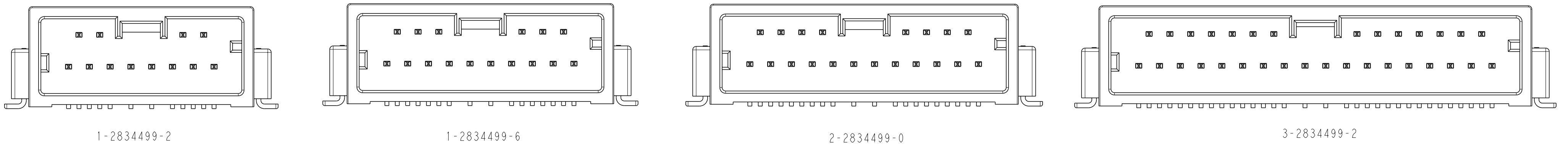
printed on 8 Mar 2022 11:54 (China Standard Time) from TE310617

THIS DRAWING IS UNPUBLISHED. RELEASED FOR PUBLICATION 20
 © COPYRIGHT 20 BY - ALL RIGHTS RESERVED.

| REVISIONS | | | | |
|-----------|-----|-------------|------|------|
| P | LTR | DESCRIPTION | DATE | APVD |
| | | SEE SHEET 1 | | |
| | | | | |
| | | | | |



NOTES:
 1 PLEASE REFER DIMENSIONS AND REQUIREMENTS IN SHEET1 AND SHEET2.



44 MM WIDTH TAPE AS SHOWN

| | | | | |
|-------------|-------------|-----------------|------------------------|--------------------------|
| 4-2834499-4 | 4-2834465-4 | 72 | 250 | 750 |
| 4-2834499-0 | 4-2834465-0 | 72 | 250 | 750 |
| 3-2834499-6 | 3-2834465-6 | 72 | 250 | 750 |
| 3-2834499-2 | 3-2834465-2 | 56 | 250 | 750 |
| 2-2834499-8 | 2-2834465-8 | 56 | 250 | 750 |
| 2-2834499-4 | 2-2834465-4 | 56 | 250 | 750 |
| 2-2834499-0 | 2-2834465-0 | 44 | 250 | 1000 |
| 1-2834499-6 | 1-2834465-6 | 44 | 250 | 1000 |
| 1-2834499-2 | 1-2834465-2 | 44 | 250 | 1000 |
| PN (Y KEY) | PN (X KEY) | TAPE WIDTH (MM) | QUANTITY PER REEL /PCS | QUANTITY PER CARTON /PCS |

| | | | | |
|--|--|-------------------------|---|--|
| THIS DRAWING IS A CONTROLLED DOCUMENT. | | DWN FRANK FAN 01MAR2021 | TE Connectivity | |
| DIMENSIONS: mm | | CHK GEORGE FU 01MAR2021 | | |
| TOLERANCES UNLESS OTHERWISE SPECIFIED: | | APVD MING SHI 01MAR2021 | NAME MINIDYNAMIC HEADER 1.8 MM PITCH SMT TYPE | |
| 0 PLC ± | | PRODUCT SPEC 108-137443 | SIZE A2 | |
| 1 PLC ± | | APPLICATION SPEC | CAGE CODE - | |
| 2 PLC ±0.25 | | WEIGHT - | DRAWING NO C-2834465 | |
| 3 PLC ± | | CUSTOMER DRAWING | RESTRICTED TO - | |
| 4 PLC ± | | SCALE 4:1 | SHEET 4 OF 4 | |
| ANGLES ± | | | REV B | |
| FINISH - | | | | |

printed on 8 Mar 2022 11:54 (China Standard Time) from TE310617