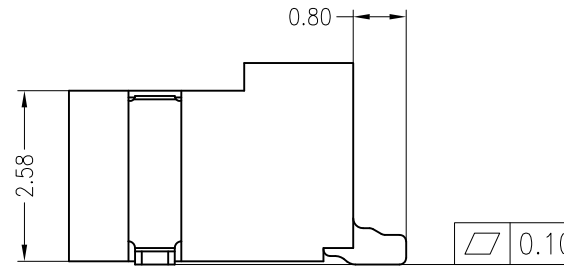
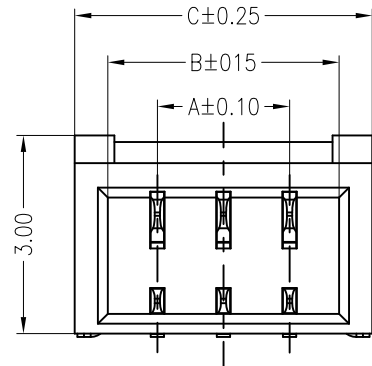
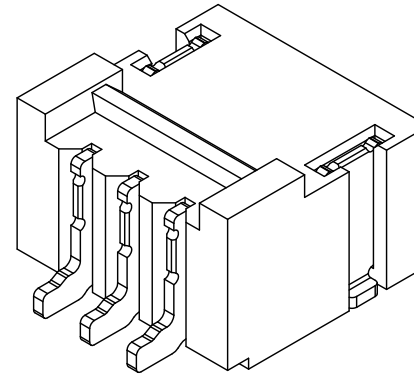
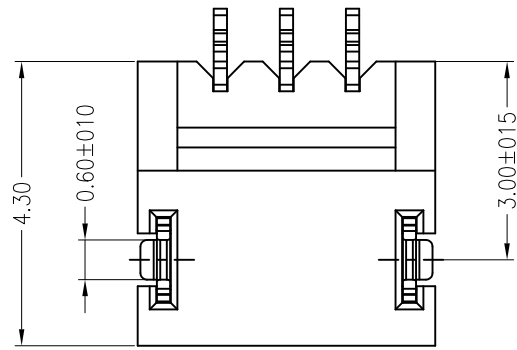


| 修订<br>REV | 标记<br>MARK | 修改摘要<br>REVISION DESCRIPTION | 签名<br>SIGNATURE | 日期<br>DATE |
|-----------|------------|------------------------------|-----------------|------------|
| AO        |            | NEW RELEASE                  | 黄艳兰             | 2019-05-09 |

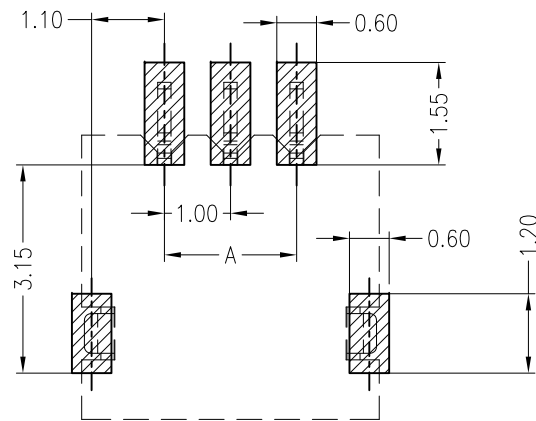
### 主要技术参数 Main Specifications

线 数 (Poles): 02 to 20  
 接触电阻 (Contact resistance):  $\leq 20m\Omega$   
 绝缘电阻 (Insulation resistance):  $\geq 100M\Omega$   
 额定电压 (Rated voltage): 125V AC DC  
 额定电流 (Rated current): 1.0A AC DC  
 耐 电 压 (Withstand Voltage): 500V AC/minute  
 温度范围 (Temperature Range):  $-25^{\circ}C \sim +85^{\circ}C$



材质: 壳体: PA6T(BEIGE), PIN针: 磷铜/镀锡

| 孔位  | 尺寸    | A     | B    | C   | 孔位    | 尺寸   | A    | B | C |
|-----|-------|-------|------|-----|-------|------|------|---|---|
| 2P  | 1.00  | 2.50  | 3.50 | 12P | 11.00 | 12.5 | 13.5 |   |   |
| 3P  | 2.00  | 3.50  | 4.50 | 13P | 12.00 | 13.5 | 14.5 |   |   |
| 4P  | 3.00  | 4.50  | 5.50 | 14P | 13.00 | 14.5 | 15.5 |   |   |
| 5P  | 4.00  | 5.50  | 6.50 | 15P | 14.00 | 15.5 | 16.5 |   |   |
| 6P  | 5.00  | 6.50  | 7.50 | 16P | 15.00 | 16.5 | 17.5 |   |   |
| 7P  | 6.00  | 7.50  | 8.50 | 17P | 16.00 | 17.5 | 18.5 |   |   |
| 8P  | 7.00  | 8.50  | 9.50 | 18P | 17.00 | 18.5 | 19.5 |   |   |
| 9P  | 8.00  | 9.50  | 10.5 | 19P | 18.00 | 19.5 | 20.5 |   |   |
| 10P | 9.00  | 10.50 | 11.5 | 20P | 19.00 | 20.5 | 21.5 |   |   |
| 11P | 10.00 | 11.50 | 12.5 |     |       |      |      |   |   |



PCB LAYOUT(Tolerance:±0.05)



深圳市华德共创科技有限公司

Shenzhen Huade co-create Technology Co.,LTD

TEL : 0755-27111225 FAX : 0755-29940187

| -TOLERANCES-<br>UNLESS OTHERWISE SPECIFIED<br>公差参数表 |       |        |     | TITLE:<br>产品名称: NH1.0带扣卧贴 |                                      |       |      |             |
|---|-------|--------|-----|---------------------------|--------------------------------------|-------|------|-------------|
| X.X   | ±0.30 | X.X°   | ±3° | APPD:<br>核准: 谢亮           | PART NO:<br>产品编号: HDGC1002WRF-S-XP-2 |       |      |             |
| X.XX  | ±0.30 | X.XX°  | ±2° | CHECK:<br>校对: 王建业         | DATE                                 | SCALE | UNIT | CODE NUMBER |
| X.XXX   | ±0.10 | X.XXX° | ±1° | DRAW:<br>绘图: 黄艳兰          | 2019-05-09                           | 1:1   | mm   | A018        |