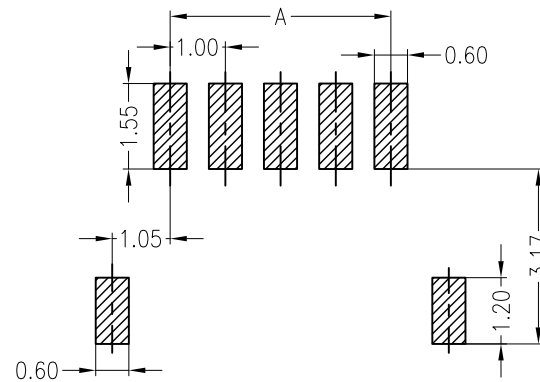
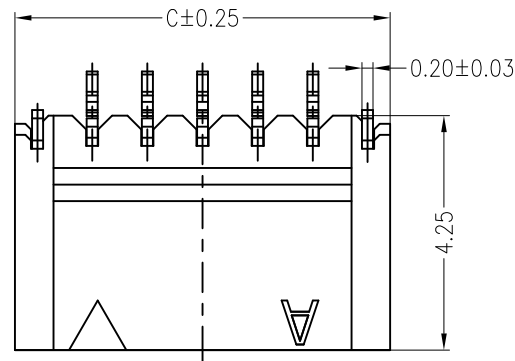


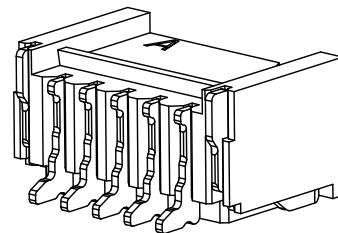
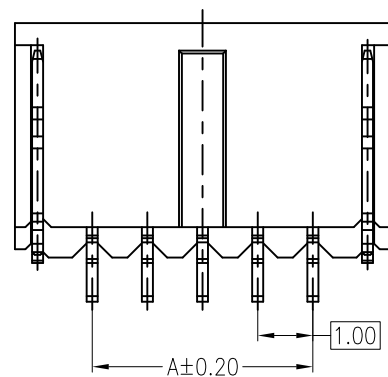
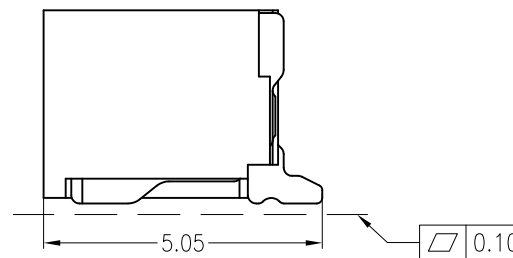
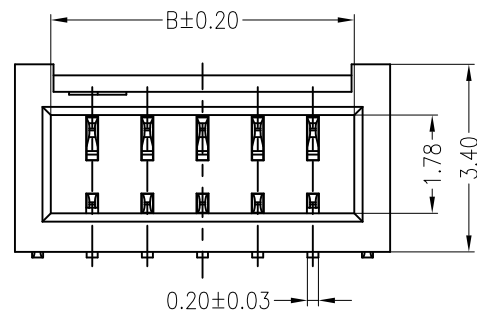
修订 REV	标记 MARK	修改摘要 REVISION DESCRIPTION	签名 SIGNATURE	日期 DATE
AO		NEW RELEASE	黄艳兰	2021-07-19

Specifications:

Poles: 02 to 20  
 Contact resistance:  $\leq 20\text{m}\Omega$   
 Insulation resistance:  $\geq 100\text{M}\Omega$   
 Rated voltage: 125V AC DC  
 Rated current: 1.0A AC DC  
 Withstand Voltage: 500V AC/minute  
 Temperature Range:  $-25^{\circ}\text{C} \sim +85^{\circ}\text{C}$   
 Housing: PA6T UL94V-0, Natural  
 Cap: PA6T UL94V-0, Natural  
 Contacts: Phosphor Bronze/Matte Sn-plated  
 Solder tabs: Phosphor Bronze/Matte Sn-plated



PCB LAYOUT(Tolerance:  $\pm 0.05$ )



PIN	DIM A	DIM B	DIM C	PIN	DIM A	DIM B	DIM C
2P	1.00	2.50	3.80	12P	11.00	12.5	13.8
3P	2.00	3.50	4.80	13P	12.00	13.5	14.8
4P	3.00	4.50	5.80	14P	13.00	14.5	15.8
5P	4.00	5.50	6.80	15P	14.00	15.5	16.8
6P	5.00	6.50	7.80	16P	15.00	16.5	17.8
7P	6.00	7.50	8.80	17P	16.00	17.5	18.8
8P	7.00	8.50	9.80	18P	17.00	18.5	19.8
9P	8.00	9.50	10.8	19P	18.00	19.5	20.8
10P	9.00	10.50	11.8	20P	19.00	20.5	21.8
11P	10.00	11.50	12.8				

**深圳市华德共创科技有限公司**  
 Shenzhen Huade co-create Technology Co.,LTD  
 TEL : 0755-27111225 FAX : 0755-29940187

-TOLERANCES- UNLESS OTHERWISE SPECIFIED 公差参数表						TITLE: 产品名称: NH1.0带扣卧贴			
X.X	$\pm 0.30$	X.X°	$\pm 3^{\circ}$	APPD: 核准:	谢亮	PART NO: 产品编号: HDGC1002WRB-S-XP			
X.XX	$\pm 0.30$	X.XX°	$\pm 2^{\circ}$	CHECK: 校对:	王建业	DATE	SCALE	UNIT	CODE NUMBER
X.XXX	$\pm 0.10$	X.XXX°	$\pm 1^{\circ}$	DRAW: 绘图:	黄艳兰	2021-07-19	1:1	mm	A018