

Halogen Free

RoHS COMPLIANT

产品承认书

SPECIFICATION FOR APPROVED

版本: REV.A2

客户	:	1910
Customer	:	_____
客户料号	:	FJ0841XM
Customer P/N	:	_____
品名	:	RADIAL TYPE CHOKE INDUCTOR
Description	:	_____
产品型号	:	CKPK0812-500uH/M-U2.6-VA
CENKER P/N	:	_____
图纸编号	:	SP-CK112-00049728
Drawing No.	:	_____
产品编号	:	_____
Product code.	:	_____

出图

DRAWING

制表

审核

批准

Prepared By

Checked By

Approved By

文坚明

梁贵传

梁贵传

DATE: 2019/4/18

承认

CUSTOMER APPROVAL

DATE:



深圳市岑科实业有限公司

SHENZHEN CENKER ENTERPRISE LTD.

地址:深圳市龙华区清泉路金博龙工业园C栋

Address: Building No.C Jinbolong Industrial
Estate, Qingquan Road, Longhua District, Shenzhen
P.R.China

TEL:0755-89808755 FAX:0755-27525256



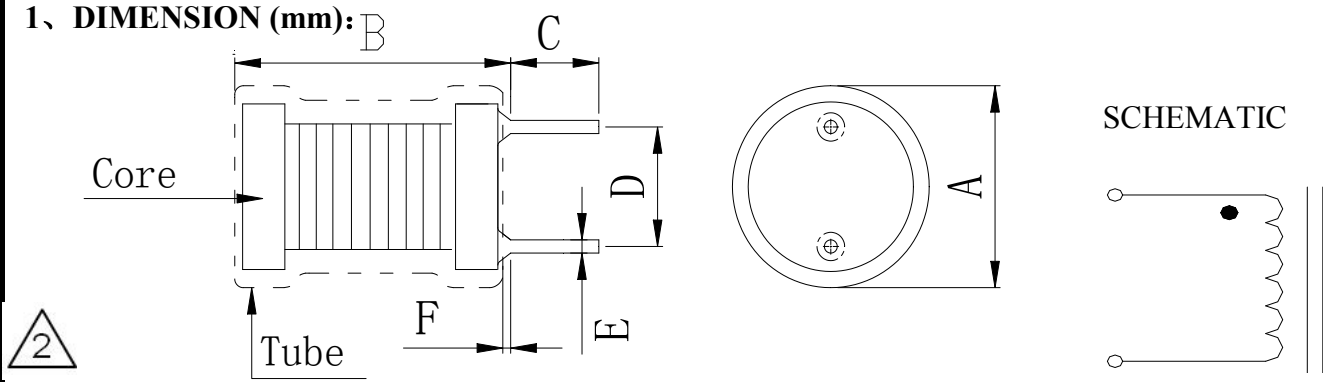
SPECIFICATION FOR APPROVAL

Halogen Free

RoHS COMPLIANT

CUSTOMER	1910	CUSTOMER No.	FJ0841XM	
CENKER P/N	CKPK0812-500uH/M-U2.6-VA	DRAWING No.	SP-CK112-00049728	1/9
ISSUE DATE	2019/4/18	VERSION	A2	

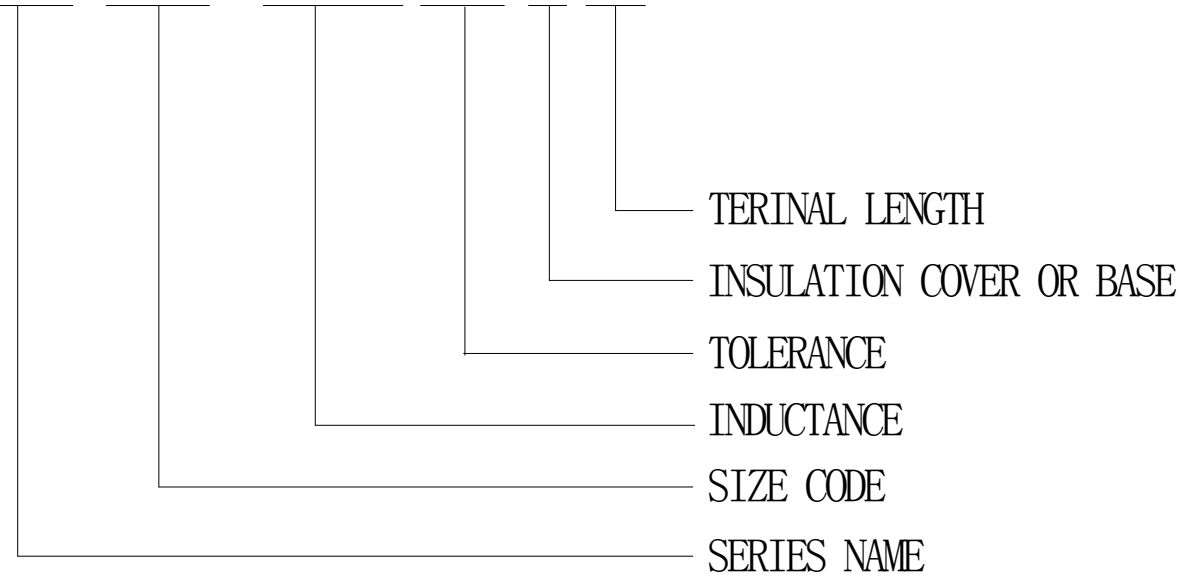
1、 DIMENSION (mm):



NOTE: Process improvement (绕线时, 铜线加凡立水, 绕线后加凡立水含浸产品本体)

A	B	C	D $\triangle 1$	E	F
9.1 Max	15.5 Max	2.6±0.3	5.0±0.3	Φ0.6±0.1	2.0Max

CKPK 0812 -500uH Min-U 2.6 -VA



2、 TEMPERATURE RATING:

Operating Temperature : -25°C ~ +130°C ; Storage Temperature : -25°C ~ +115°C

 深圳市岑科实业有限公司 SHEN ZHEN CENKER ENTERPRISE LTD. TEL:0755-89808755 FAX:0755-27525256	PREPARED	CHECKED	APPROVED
	文坚明	梁贵传	梁贵传

SPECIFICATION FOR APPROVAL**Halogen Free****RoHS COMPLIANT**

CUSTOMER	1910	CUSTOMER No.	FJ0841XM	PAGE
CENKER P/N	CKPK0812-500uH/M-U2.6-VA	DRAWING No.	SP-CK112-00049728	2/9
ISSUE DATE	2019/4/18	VERSION	A2	

3、 ELECTRICAL REQUIREMENTS:

ITEM	SPEC.	TOLERANCE	TEST FREQUENCY	TEST EQUIPMENT
INDUCTANCE	500uH	±20%	1kHz/0.25V	HP-4284A
DCR	0.7Ω	Max.	at 25℃	Keysight34420A
IDC	0.5A	L0A×80% Ref.	1kHz/0.25V	HP-4284A+HP-42841A

4、 MATERIAL LIST:

No.	Material	Specification	Supplier	Remark
1	Core	DR8×12 or equivalent	SUNRISE FERRITE CORES ELECTRONIC CO.,LTD.	
2	Wire	Ø0.3mm×113.5Ts. (2UEW-155) or equivalent	SHANTOU SHENGANG ELECTRICAL INDUSTRIAL CO., LTD.	E239508
3	Solder	Sn99.3-Cu0.7 or equivalent	HuiZhou Chang Sheng METAL PRODUCTS CO.,LTD	
4	Tube	UL Φ8mm X-2 (BLACK)or equivalent	SHENZHEN XINGQI PLASTIC PRODUCE CO.,LTD	E350991
		UL Φ8mm RSFR-HPF (BLACK)or equivalent	SHENZHEN WOER HEAT-SHRINKABLE MATERIAL CO.,LTD	E203950
5	Epoxy	J-600 or equivalent	SHENZHEN CENKER ENTERPRISE LTD.	
6	Pin	CP Φ0.6×17.5mm or equivalent	JIANGXI BAICHUAN ELECTRIC CONDUCTOR CO.,LTD	
7	Varnish	844 or equivalent	JIAXING JIASHENG INSULATING MATERIALS CO LTD	E320847



深圳市岑科实业有限公司
 SHEN ZHEN CENKER ENTERPRISE LTD.
 TEL:0755-89808755 FAX:0755-27525256

PREPARED	CHECKED	APPROVED
文坚明	梁贵传	梁贵传

SPECIFICATION FOR APPROVAL

Halogen Free

RoHS COMPLIANT

PAGE:3/9

CUSTOMER	1910	LOT No.			
CUSTOMER No.	FJ0841XM	QUANTITY	10PCS	DATE	2019/4/18
DRAWING No.	SP-CK112-00049728	DIMENSION(UNIT: mm)			
CENKER P/N	CKPK0812-500uH/M-U2.6-VA				
DESCRIPTION	RADIAL TYPE CHOKE INDUCTOR				
TEST FREQ	1kHz/0.25V				
TEMPERATURE	25 °C				

5. TESTING DATA:

ELECTRONICAL TEST DATA				OREALL DIMENSTON (UNIT: mm)								
	L	IDC 0.5A	DCR	A	B	C	D	E	F			
SPEC	500uH ±20%	L0A×80 % Ref.	0.7Ω Max.	9.1 Max	15.5 Max	2.6±0.3	5.0±0.3	Φ0.6±0.1	2.0Max			
1	462.5	429.2	0.536	8.92	14.67	2.63	5.02	0.59	1.26			
2	459.0	426.0	0.534	8.95	14.68	2.65	5.10	0.58	1.35			
3	459.8	425.3	0.542	8.92	14.75	2.64	5.04	0.59	1.46			
4	461.5	428.3	0.534	8.86	14.67	2.64	5.04	0.59	1.55			
5	462.3	427.6	0.536	8.92	14.73	2.63	5.08	0.58	1.26			
6	463.5	430.1	0.534	8.81	14.71	2.67	5.06	0.57	1.32			
7	462.6	427.9	0.529	8.92	14.71	2.68	5.07	0.57	1.26			
8	463.5	430.1	0.534	8.95	14.65	2.62	5.10	0.59	1.34			
9	462.4	427.7	0.534	8.97	14.71	2.65	5.05	0.57	1.24			
10	458.6	425.6	0.536	8.89	14.67	2.64	5.08	0.59	1.55			
\bar{X}	461.57	427.79	0.535	8.91	14.69	2.65	5.06	0.58	1.36			
R	4.90	4.81	0.013	0.16	0.10	0.06	0.08	0.02	0.32			

TEST EQUIPMENT:

ALL JUDGE

OK NG

L CH-1062A HP-4284A

Q HM2801A HM9481 CJ2851

DCR Keysight34420A

SRF HM9460

IDC HP-4284A + HP-42841 HM-2713-1+HM-2791 LCR



深圳市岑科实业有限公司
SHEN ZHEN CENKER ENTERPRISE LTD.
TEL:0755-89808755 FAX:0755-27525256

PREPARED

CHECKED

APPROVED

文坚明

梁贵传

梁贵传

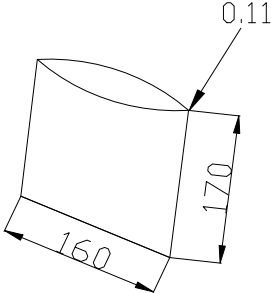
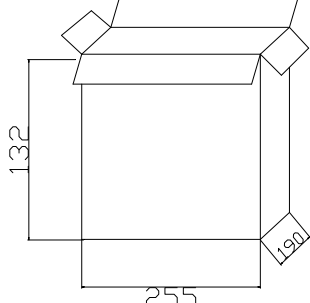
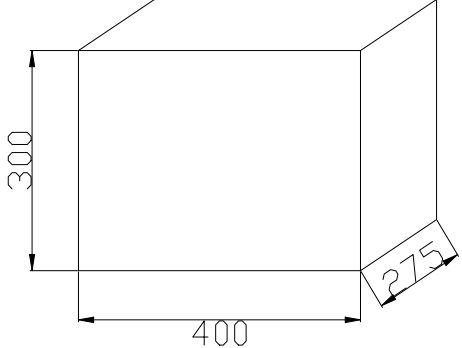
SPECIFICATION FOR APPROVAL

Halogen Free

RoHS COMPLIANT

CUSTOMER	1910	CUSTOMER No.	FJ0841XM	PAGE
CENKER P/N	CKPK0812-500uH/M-U2.6-VA	DRAWING No.	SP-CK112-00049728	4/9
ISSUE DATE	2019/4/18	VERSION	A2	

6、PACKING(mm):

<p>1. PE BAG: 160*170*0.11mm (200PCS/BAG);</p>	
<p>2. Inside the box size: : 255*190*132mm (Loading 10E BAG ,Quantity 2.0KPCS)</p>	
<p>3. Outer box: 400*275*300mm (Loading 4 inner box , Quantity 8.0K/PCS)</p>	



深圳市岑科实业有限公司
SHEN ZHEN CENKER ENTERPRISE LTD.
TEL:0755-89808755 FAX:0755-27525256

PREPARED	CHECKED	APPROVED
----------	---------	----------

文坚明

梁贵传

梁贵传

SPECIFICATION FOR APPROVAL

Halogen Free

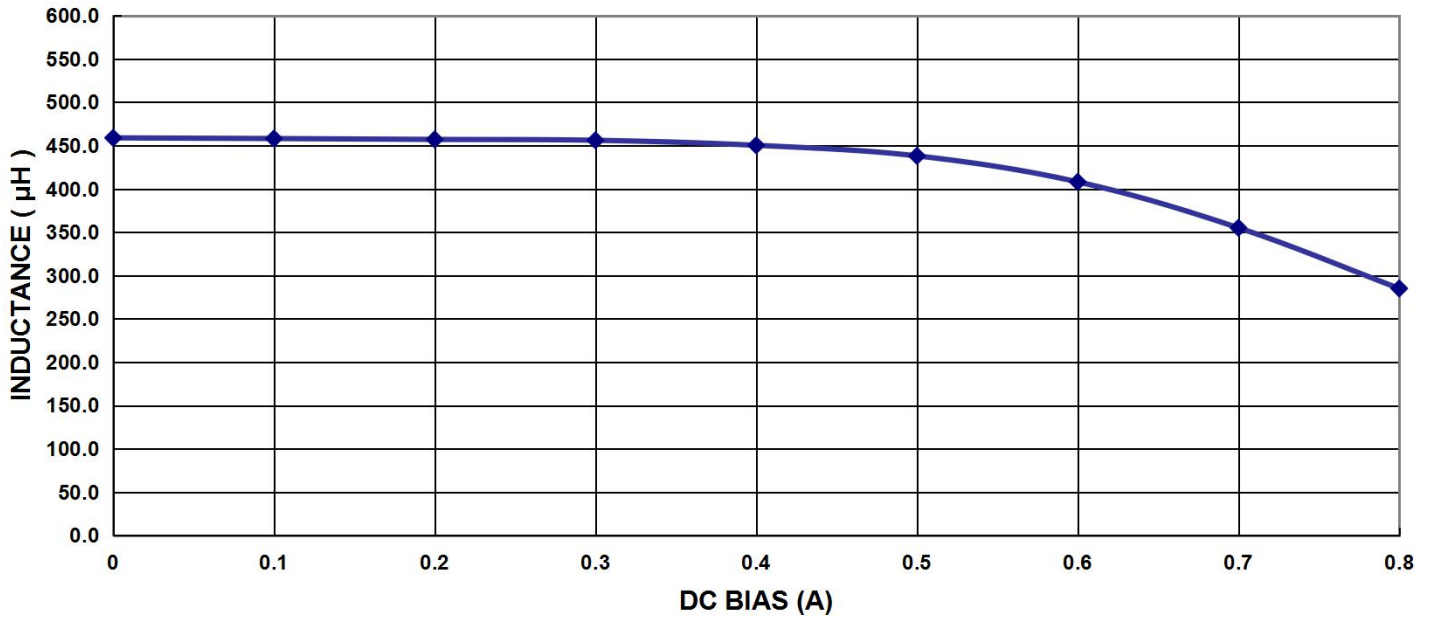
RoHS COMPLIANT

CUSTOMER	1910	CUSTOMER No.	FJ0841XM	PAGE
CENKER P/N	CKPK0812-500uH/M-U2.6-VA	DRAWING No.	SP-CK112-00049728	5/9
ISSUE DATE	2019/4/18	VERSION	A2	

7.INDUCTANCE (μH) VS DC BIAS (A) CURVE

DC BIAS (A)	Inductance (uH)					
0 A	458.8					
0.1 A	458.0	99.8%				
0.2 A	457.0	99.6%				
0.3 A	456.0	99.3%				
0.4 A	450.2	98.1%				
0.5 A	438.0	95.4%				
0.6 A	408.0	88.9%				
0.7 A	355.0	77.3%				
0.8 A	285.0	62.1%				

TESTING CONDITION: 1kHz ,0.25V



深圳市岑科实业有限公司
 SHEN ZHEN CENKER ENTERPRISE LTD.
 TEL:0755-89808755 FAX:0755-27525256

PREPARED

文坚明

CHECKED

梁贵传

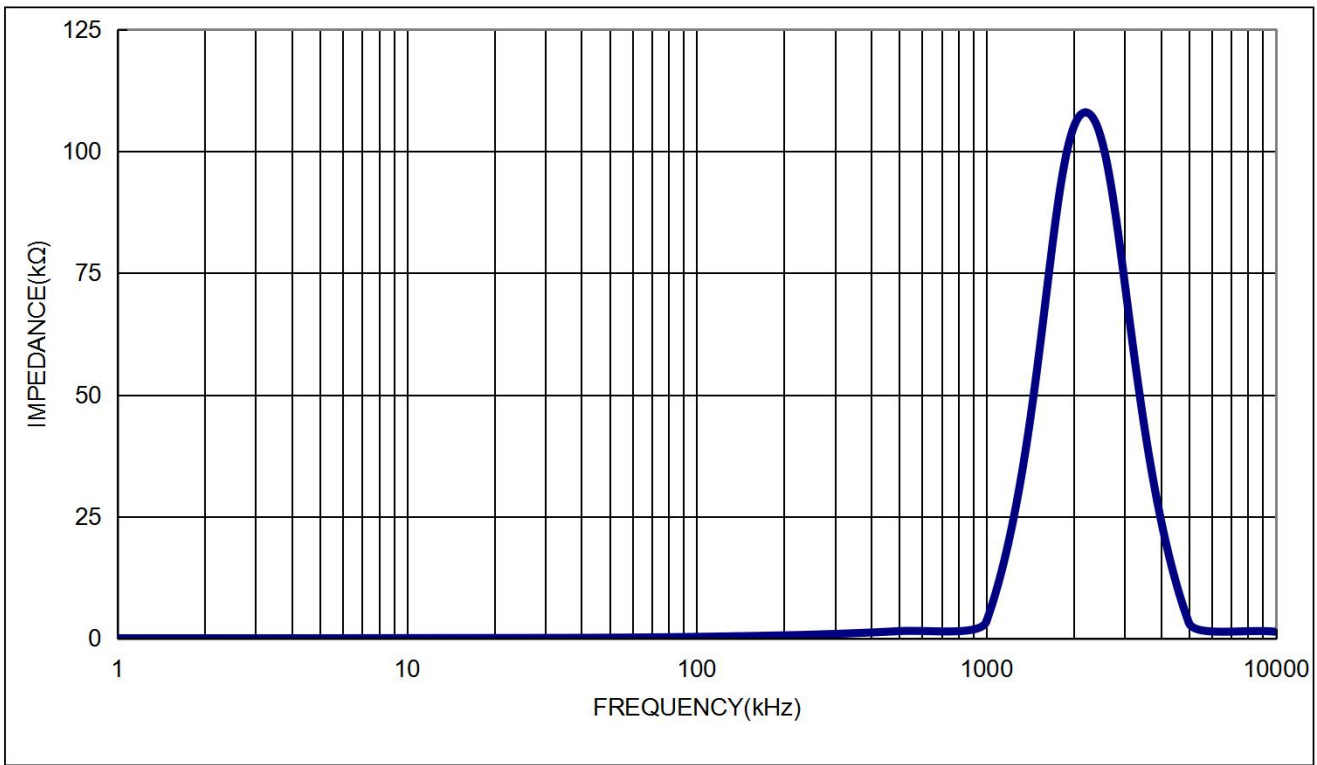
APPROVED

梁贵传

CUSTOMER	1910	CUSTOMER No.	FJ0841XM	PAGE
CENKER P/N	CKPK0812-500uH/M-U2.6-VA	DRAWING No.	SP-CK112-00049728	6/9
ISSUE DATE	2019/4/18	VERSION	A2	

8. IMPEDANCE VS FREQUENCY CURVE

Fequency(kHz)	1	10	100	500	1000	2200	5000	10000
Impedance(kΩ)	0.004	0.03	0.29	1.46	3.446	100.5	3.196	1.329

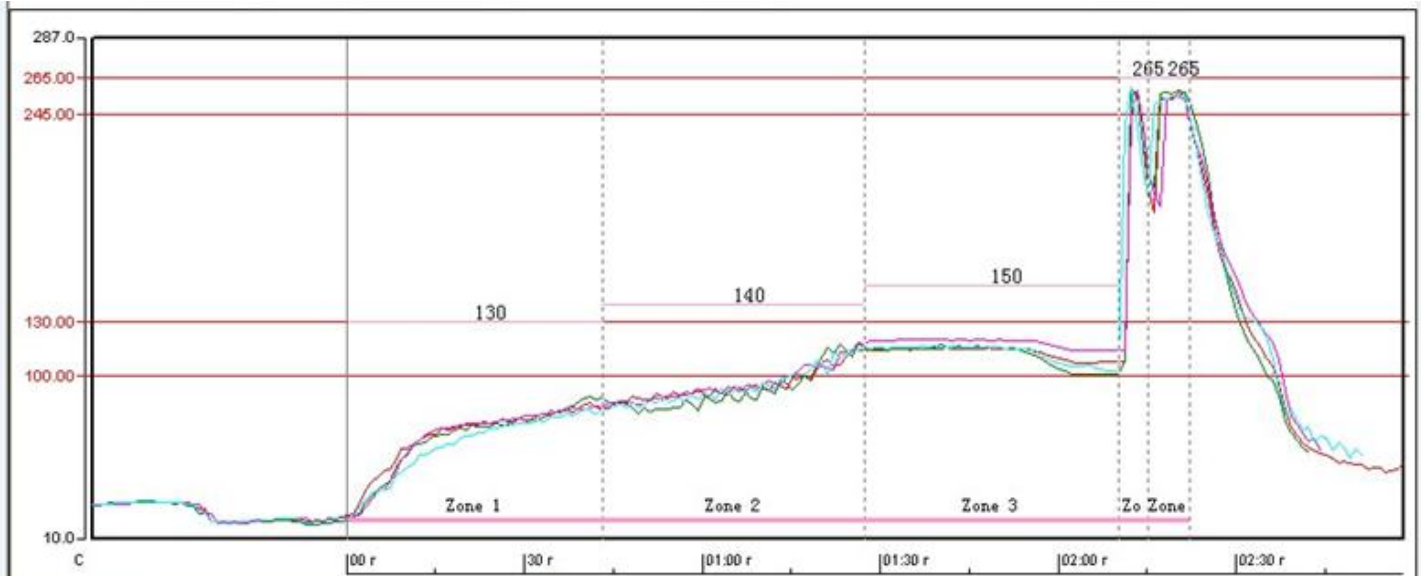


深圳市岑科实业有限公司
 SHEN ZHEN CENKER ENTERPRISE LTD.
 TEL:0755-89808755 FAX:0755-27525256

PREPARED	CHECKED	APPROVED
文坚明	梁贵传	梁贵传

CUSTOMER	1910	CUSTOMER No.	FJ0841XM	PAGE
CENKER P/N	CKPK0812-500uH/M-U2.6-VA	DRAWING No.	SP-CK112-00049728	7/9
ISSUE DATE	2019/4/18	VERSION	A2	

9.Flow (wave) soldering curve



		最大上升率	在最高温度时的时间	最大下降率	最大上升率
			100-130C		
		CHF	IF	C	CHF
1	焊锡波 1 行距	2.708	52.997	256.8	-6.9
3	焊锡波 3 行距	2.794	54.997	258.1	-6.7
4	焊锡波 4 行距	2.705	57.997	258.4	-6.4
	焊锡波 5 行距	2.790	55.997	259.7	-6.6
	预热	0.089	5.000	2.9	0.5
	平均数	2.7493	55.4970	258.25	-6.65
	均方差	0.04941	2.08167	1.190	0.208

速度: 900mm/min
 温区 1: 130
 温区 2: 140
 温区 3: 150
 锡炉: 265

Profile specification:
 Pre-heating: 100-130, Time: ≥30s
 The slope of pre-heating area ≤3,
 The slope of cooling area: 5-7
 Soldering wave temperature: 245-265°C



深圳市岑科实业有限公司
 SHEN ZHEN CENKER ENTERPRISE LTD.
 TEL:0755-89808755 FAX:0755-27525256

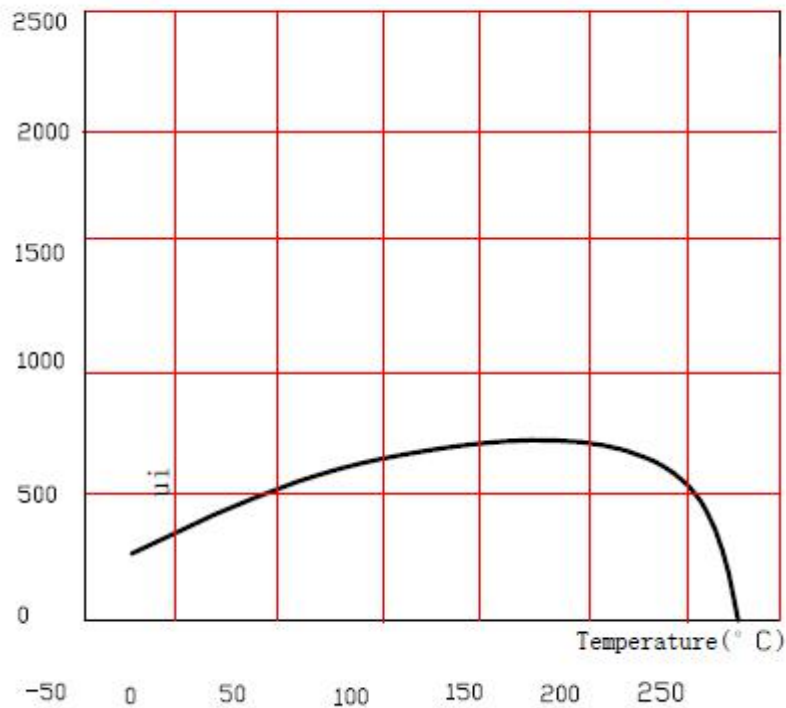
PREPARED	CHECKED	APPROVED
文坚明	梁贵传	梁贵传

CUSTOMER	1910	CUSTOMER No.	FJ0841XM	PAGE
CENKER P/N	CKPK0812-500uH/M-U2.6-VA	DRAWING No.	SP-CK112-00049728	8/9
ISSUE DATE	2019/4/18	VERSION	A2	

10.Product picture



**12.Material of the curve
Curie Temperature**



深圳市岑科实业有限公司
 SHEN ZHEN CENKER ENTERPRISE LTD.
 TEL:0755-89808755 FAX:0755-27525256

PREPARED	CHECKED	APPROVED
文坚明	梁贵传	梁贵传

11.Radial Type Inductor's Reliability Testing Items

GENERAL CHARACTERISTICS				PAGE:9/9	
STANDARD TESTING CONDITIONS:					
UNLESS OTHERWISE SPECIFIED, THE STANDARD RANGE OF ATMOSPHERIC CONDITIONS FOR MEASUREMENTS AND TESTS ARE AS FOLLOWS:AMBIENT TEMPERATURE:15°C~35°C.RELATIVE HUMIDITY: 25%~85%.AIR PRESSURE: 86kPa~106kPa.					
				Version	
				A0	
NO.	Items	Test Methods	Requirements	Quantity	
1	High temperature storage test	Temperature :105°C±2°C Duration Time:96±4 Hours	No significant abnormality in appearance.Deviation relative to initial value: L:Within ±5%	10	
2	Low temperature storage test	Temperature :-25°C±2°C Duration Time:96±4 Hours		10	
3	Humidity test	Temperature :40°C±2°C Humidity :90%~95%RH Duration Time :96±4 Hours		10	
4	Thermal shock test	First -25±5°C for 30±3 minutes, last 85±5°C 30±3 minutes as 1 cycles. Go through 10 cycles.		10	
5	Resistance to soldering heat test	Fix the samples on a 1.6mm thickness PCB,then dip the sample leads into a soldering bath of 260±5°C up to the PCB for 5±1 seconds.		10	
6	Temperature cycling test	Temperature:-10±3°C for 30 minutes; Temperature:25°C for 10 minutes; Temperature:70±3°C for 30 minutes; Temperature:25°C for 10 minutes; Total:5 cycles.		10	
7	Vibration test	The frequency range from 10 to 55 Hz and return to 10 Hz (amplitude of 1.5 mm) shall be traversed in approximately 1 minute. This motion shall be applied of 2 hours in each 3 mutually perpendicular directions(total of 6 hours).		10	
8	Lead terminal strength	A static pulling force of 5N in a direction parallel to the lead terminals for 30±5 seconds.		No terminal breakage or loosening.	10
9	Solder ability test	Immerse the terminal in flux for 5 seconds. Then dip the terminal into a soldering bath of 245±5°C for 2.5±0.5 seconds.		At least 75% of terminal electrode is covered by new solder.	10