

产品承认书

SPECIFICATION FOR APPROVED

版本: REV.A0

客户 : 1917
 Customer : _____
 客户料号 : _____
 Customer P/N : _____
 品名 : RADIAL TYPE CHOKE INDUCTOR
 Description : _____
 产品型号 : CKPK0810-4.7uH/M-U3.5
 CENKER P/N : _____
 图纸编号 : SP-CK112-GXA04628
 Drawing No. : _____
 产品编号 : _____
 Product code. : _____

| 出图 DRAWING | | |
|-------------------|------------------|-------------------|
| 制表 Prepared By | 审核 Checked By | 批准 Approved By |
| 覃玉云 | 梁增武 | 梁贵传 |
| DATE: 2018-12-24 | | |

| 承认 CUSTOMER APPROVAL |
|-------------------------|
| |
| DATE: |

深圳市岑科实业有限公司

SHENZHEN CENKER ENTERPRISE LTD.

地址:深圳市龙华区清泉路金博龙工业园C栋

Address: Building No.C Jinbolong Industrial
 Estate, Qingquan Road, Longhua District, Shenzhen
 P.R.China

TEL:0755-89808755 FAX:0755-27525256

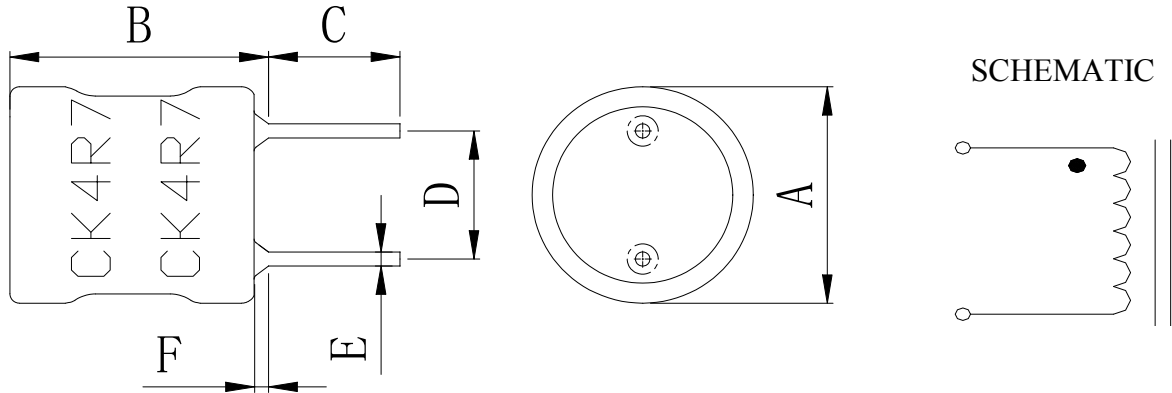


SPECIFICATION FOR APPROVAL

RoHS COMPLIANT

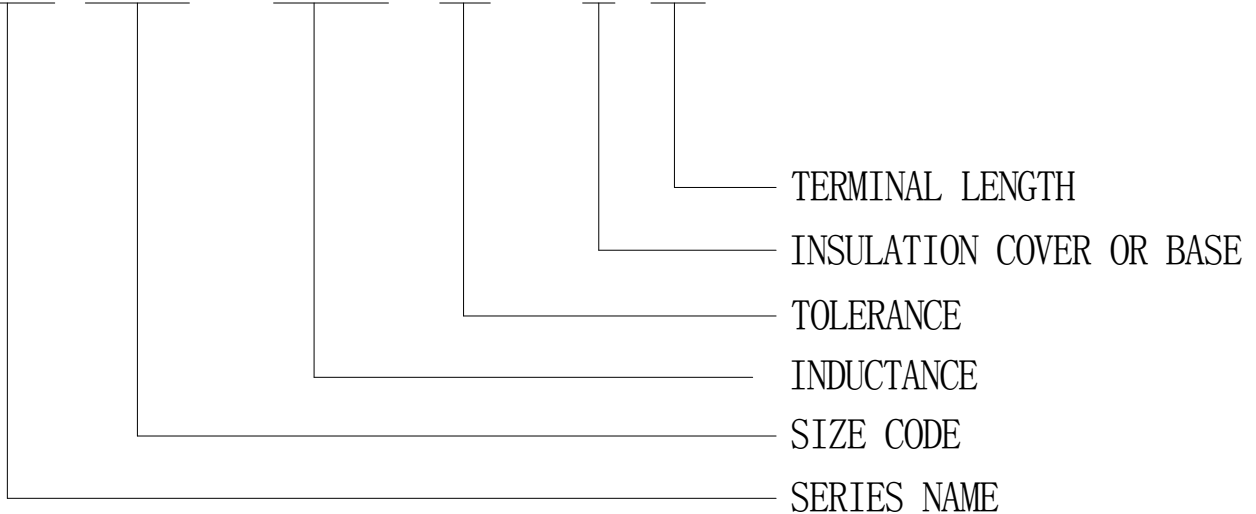
| | | | | |
|------------|-----------------------|--------------|-------------------|------|
| CUSTOMER | 1917 | CUSTOMER No. | | PAGE |
| CENKER P/N | CKPK0810-4.7uH/M-U3.5 | DRAWING No. | SP-CK112-GXA04628 | 1/4 |
| ISSUE DATE | 2018-12-24 | VERSION | A0 | |

1、 DIMENSION (mm):



| A | B | C | D | E | F |
|---------|---------|---------|---------|----------|--------|
| 10.0Max | 13.5Max | 3.5±0.5 | 5.0±0.5 | 0.6±0.05 | 2.5Max |

CKPK 0810 - 4.7uH M - U 3.5



2、 TEMPERATURE RATING:

Operating Temperature : -25°C ~ +85°C ; Storage Temperature : -25°C ~ +85°C

| | | | |
|---|----------|---------|----------|
|  <p>深圳市岑科实业有限公司 SHEN ZHEN CENKER ENTERPRISE LTD. TEL:0755-89808755 FAX:0755-27525256</p> | PREPARED | CHECKED | APPROVED |
| | 覃玉云 | 梁增武 | 梁贵传 |

SPECIFICATION FOR APPROVAL

RoHS COMPLIANT

| | | | | |
|------------|-----------------------|--------------|-------------------|------|
| CUSTOMER | 1917 | CUSTOMER No. | | PAGE |
| CENKER P/N | CKPK0810-4.7uH/M-U3.5 | DRAWING No. | SP-CK112-GXA04628 | 2/4 |
| ISSUE DATE | 2018-12-24 | VERSION | A0 | |

3、ELECTRICAL REQUIREMENTS:

| ITEM | SPEC. | TOLERANCE | TEST FREQUENCY | TEST EQUIPMENT |
|------------|-------|--------------|----------------|--------------------|
| INDUCTANCE | 4.7uH | ±20% | 100kHz/0.25V | HP-4284A |
| DCR | 30mΩ | Max. | at 20°C | Keysight 34420A |
| IDC | 5A | L0A*80% Ref. | 100kHz/0.25V | HP-4284A+HP-42841A |

4、MATERIAL LIST:

| No. | Material | Specification | Supplier | Remark |
|-----|----------|-------------------------------------|---|--------|
| 1 | Core | DR8*10 or equivalent | SUNRISE FERRITE CORES ELECTRONIC CO.,LTD. | |
| 2 | Wire | Ø0.65mm×12.5Ts (2UEW) or equivalent | SHANTOU SHENGANG ELECTRICAL INDUSTRIAL CO.,LTD. | |
| 3 | Solder | Sn99.3-Cu0.7 or equivalent | HuiZhou Chang Sheng METAL PRODUCTS CO.,LTD | |
| 4 | Tube | UL Φ8mm (BLACK) or equivalent | SHENZHEN WOER HEAT-SHRINKABLE MATERIAL CO.,LTD | |
| | | UL Φ8mm (BLACK) or equivalent | SHENZHEN XINGQI PLASTIC PRODUCTS CO.,LTD. | |
| 5 | Epoxy | J-600 or equivalent | SHEN ZHEN CENKER ENTERPRISE LTD. | |
| 6 | Pin | CP Φ0.6*17.5mm or equivalent | JIANGXI BAICHUAN ELECTRIC CONDUCTOR CO.,LTD | |



深圳市岑科实业有限公司
SHEN ZHEN CENKER ENTERPRISE LTD.
TEL:0755-89808755 FAX:0755-27525256

| PREPARED | CHECKED | APPROVED |
|----------|---------|----------|
| 覃玉云 | 梁增武 | 梁贵传 |

SPECIFICATION FOR APPROVAL

RoHS COMPLIANT

| | | | | | |
|--------------|----------------------------|-------------------------|-------|------|------------|
| CUSTOMER | 1917 | LOT No. | | | |
| CUSTOMER No. | | QUANTITY | 10PCS | DATE | 2018-12-24 |
| DRAWING No. | SP-CK112-GXA04628 | DIMENSION(UNIT: mm) | | | |
| CENKER P/N | CKPK0810-4.7uH/M-U3.5 | | | | |
| DESCRIPTION | RADIAL TYPE CHOKE INDUCTOR | | | | |
| TEST FREQ | 100kHz/0.25V | | | | |
| TEMPERATURE | 25 °C | | | | |

5.TESTING DATA:

| ELECTRONICAL TEST DATA | | | | OREALL DIMENSTON (UNIT: mm) | | | | | | | | | |
|------------------------|---------------|------------------|--------------|-----------------------------|---------|---------|---------|----------|--------|--|--|--|--|
| | L | IDC 5A | DCR | A | B | C | D | E | F | | | | |
| SPEC | 4.7uH ±20% | L0A*80 % Ref. | 30mΩ Max. | 10.0Max | 13.5Max | 3.5±0.5 | 5.0±0.5 | 0.6±0.05 | 2.5Max | | | | |
| 1 | 5.10 | 4.67 | 13.30 | 8.72 | 12.90 | 3.49 | 5.08 | 0.59 | 1.84 | | | | |
| 2 | 5.06 | 4.62 | 12.95 | 8.69 | 12.90 | 3.50 | 5.10 | 0.58 | 1.82 | | | | |
| 3 | 5.02 | 4.60 | 13.30 | 8.66 | 12.88 | 3.48 | 5.05 | 0.58 | 1.88 | | | | |
| 4 | 5.10 | 4.67 | 13.35 | 8.68 | 12.88 | 3.52 | 5.09 | 0.58 | 1.82 | | | | |
| 5 | 5.07 | 4.63 | 13.25 | 8.69 | 12.92 | 3.48 | 5.12 | 0.58 | 1.83 | | | | |
| 6 | 5.08 | 4.64 | 13.16 | 8.68 | 12.89 | 3.49 | 5.11 | 0.57 | 1.83 | | | | |
| 7 | 5.10 | 4.66 | 13.28 | 8.69 | 12.87 | 3.50 | 5.11 | 0.58 | 1.81 | | | | |
| 8 | 5.05 | 4.62 | 13.17 | 8.72 | 12.94 | 3.46 | 5.10 | 0.57 | 1.88 | | | | |
| 9 | 5.09 | 4.65 | 13.05 | 8.68 | 12.93 | 3.53 | 5.10 | 0.58 | 1.83 | | | | |
| 10 | 5.07 | 4.63 | 13.12 | 8.67 | 12.92 | 3.53 | 5.05 | 0.59 | 1.84 | | | | |
| \bar{X} | 5.07 | 4.64 | 13.19 | 8.69 | 12.90 | 3.50 | 5.09 | 0.58 | 1.84 | | | | |
| R | 0.08 | 0.07 | 0.40 | 0.06 | 0.07 | 0.07 | 0.07 | 0.02 | 0.07 | | | | |

TEST EQUIPMENT: ALL JUDGE OK NG

L CH-1062A HP-4284A
 Q HM2801A HM9481 CJ2851
 DCR Keysight 34420A
 SRF HM9460
 IDC HP-4284A+HP-42841A HM-2713-1+HM-2791 LCR

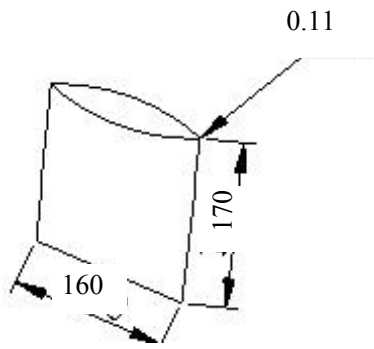
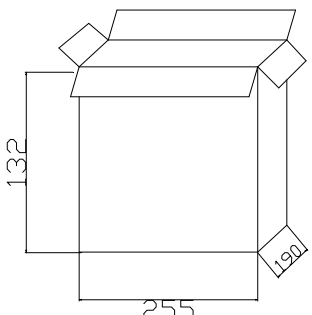
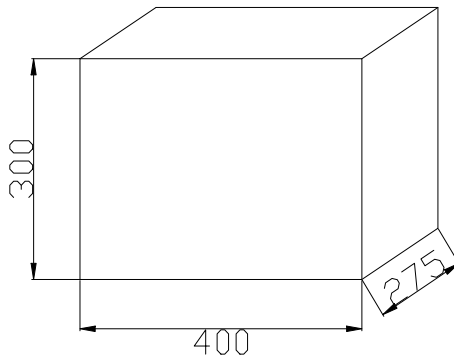
| | | | | |
|---|--|----------|---------|----------|
|  | 深圳市岑科实业有限公司 SHEN ZHEN CENKER ENTERPRISE LTD. TEL:0755-89808755 FAX:0755-27525256 | PREPARED | CHECKED | APPROVED |
| | | 覃玉云 | 梁增武 | 梁贵传 |

SPECIFICATION FOR APPROVAL

RoHS COMPLIANT

| | | | | |
|------------|-----------------------|--------------|-------------------|------|
| CUSTOMER | 1917 | CUSTOMER No. | | PAGE |
| CENKER P/N | CKPK0810-4.7uH/M-U3.5 | DRAWING No. | SP-CK112-GXA04628 | 4/4 |
| ISSUE DATE | 2018-12-24 | VERSION | A0 | |

6、PACKING(mm):

| | |
|--|--|
| <p>1. PE BAG: 160*170*0.11mm (200PCS/BAG);</p> |  |
| <p>2. Inside the box size: 255*190*132mm (Loading 12PE BAG ,Quantity 2.4K/PCS)</p> |  |
| <p>3. Outer box: 400*275*300mm (Loading 4 Inside the box ,Quantity 9.6K/PCS)</p> |  |



深圳市岑科实业有限公司
SHEN ZHEN CENKER ENTERPRISE LTD.
TEL:0755-89808755 FAX:0755-27525256

| PREPARED | CHECKED | APPROVED |
|----------|---------|----------|
| 覃玉云 | 梁增武 | 梁贵传 |