

产品承认书

SPECIFICATION FOR APPROVED

版本: REV.A0

客 户

2440

Customer

客户料号

122005000133

Customer P/N

品 名

RADIAL TYPE CHOKE INDUCTOR

Description

产品型号

CKPK0810-4.4mH/K-U3.2

CENKER P/N

图纸编号

SP-CK112-GXA07126

Drawing No.

产品编号

Product code.

出图

DRAWING

制表

审核

批准

Prepared By

Checked By

Approved By

覃玉云

韦秀华

梁贵传

DATE:

2020/2/21

承认

CUSTOMER APPROVAL

DATE:

深圳市岑科实业有限公司

SHENZHEN CENKER ENTERPRISE LTD.

地址:深圳市龙华区清泉路金博龙工业园C栋

Address: Building No.C Jinbolong Industrial
Estate, Qingquan Road, Longhua District, Shenzhen
P.R.China

TEL: 0755-89808755 FAX: 0755-27525256

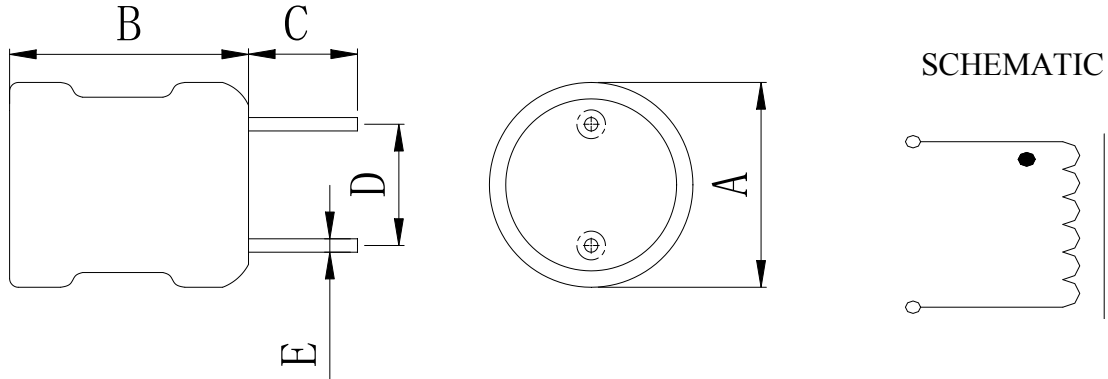


SPECIFICATION FOR APPROVAL

RoHS COMPLIANT

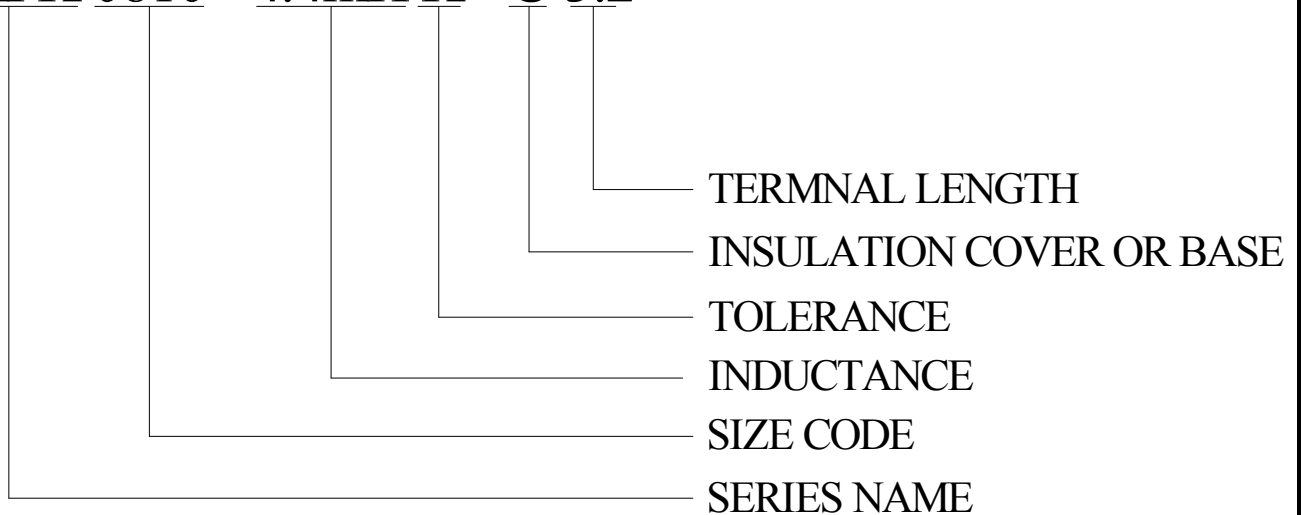
CUSTOMER	2440	CUSTOMER No.	122005000133	PAGE
CENKER P/N	CKPK0810-4.4mH/K-U3.2	DRAWING No.	SP-CK112-GXA07126	1/4
ISSUE DATE	2020/2/21	VERSION	A0	

1、 DIMENSION (mm):



A	B	C	D	E
10.0 Max	14.0Max	3.2±0.5	5.0±0.5	0.6±0.1

CKPK 0810 - 4.4mH K - U 3.2



2、 TEMPERATURE RATING:

Operating Temperature : -25°C ~ +85°C ; Storage Temperature : -25°C ~ +85°C

 <p>深圳市岑科实业有限公司 SHEN ZHEN CENKER ENTERPRISE LTD. TEL:0755-89808755 FAX:0755-27525256</p>	PREPARED	CHECKED	APPROVED
	覃玉云	韦秀华	梁贵传

SPECIFICATION FOR APPROVAL**RoHS COMPLIANT**

CUSTOMER	2440	CUSTOMER No.	122005000133	PAGE
CENKER P/N	CKPK0810-4.4mH/K-U3.2	DRAWING No.	SP-CK112-GXA07126	2/4
ISSUE DATE	2020/2/21	VERSION	A0	

3、 ELECTRICAL REQUIREMENTS:

ITEM	SPEC.	TOLERANCE	TEST FREQUENCY	TEST EQUIPMENT
INDUCTANCE	4.4mH	±10%	1kHz/0.3V	HP-4284A
DCR	11Ω	Max.	at 25°C	Keysight 34420A
IDC	0.23A	L0A×85% Ref.	1kHz/0.3V	HP-4284A+HP-42841A

4、 MATERIAL LIST:

No.	Material	Specification	Supplier	Remark
1	Core	DR8×10 or equivalent	6006	
2	Wire	∅0.14mm×363.5Ts. Ref. (2UEW) or equivalent	6030	
3	Solder	Sn99.3-Cu0.7 or equivalent	6050	
4	Tube	UL ∅8mm(BLACK) or equivalent	6909/6206	
5	Epoxy	J-600 or equivalent	5163	
6	Pin	CP ∅0.6×17.5mm or equivalent	5163	



深圳市岑科实业有限公司
 SHEN ZHEN CENKER ENTERPRISE LTD.
 TEL:0755-89808755 FAX:0755-27525256

PREPARED	CHECKED	APPROVED
覃玉云	韦秀华	梁贵传

SPECIFICATION FOR APPROVAL

RoHS COMPLIANT

PAGE:3/4

CUSTOMER	2440		LOT No.			
CUSTOMER No.	122005000133		QUANTITY	10PCS	DATE	2020/2/21
DRAWING No.	SP-CK112-GXA07126		DIMENSION(UNIT: mm)			
CENKER P/N	CKPK0810-4.4mH/K-U3.2					
DESCRIPTION	RADIAL TYPE CHOKE INDUCTOR					
TEST FREQ	1kHz/0.3V					
TEMPERATURE	25 °C	HUMIDITY				

5. TESTING DATA:

ELECTRONICAL TEST DATA				OREALL DIMENSTON (UNIT: mm)										
	L	IDC 0.23A	DCR	A	B	C	D	E						
SPEC	4.4mH ±10%	L0A×85 % Ref.	11Ω Max.	10.0 Max	14.0Max	3.2±0.5	5.0±0.5	0.6±0.1						
1	4.43	4.23	7.45	8.62	11.97	3.27	5.04	0.58						
2	4.33	4.13	7.41	8.62	11.96	3.19	5.06	0.59						
3	4.41	4.21	7.27	8.62	12.01	3.27	5.03	0.58						
4	4.42	4.22	7.35	8.63	11.93	3.25	5.02	0.58						
5	4.40	4.20	7.41	8.68	11.98	3.25	5.01	0.58						
6	4.36	4.17	7.36	8.67	11.94	3.24	5.03	0.58						
7	4.35	4.15	7.29	8.61	12.00	3.19	5.04	0.58						
8	4.44	4.23	7.40	8.67	12.02	3.27	5.02	0.57						
9	4.43	4.23	7.28	8.60	11.94	3.21	5.02	0.59						
10	4.37	4.16	7.32	8.67	11.97	3.19	5.02	0.57						
\bar{X}	4.39	4.19	7.35	8.64	11.97	3.23	5.03	0.58						
R	0.11	0.10	0.18	0.08	0.09	0.09	0.05	0.02						

TEST EQUIPMENT:

ALL JUDGE

OK NG

L CH-1062A HP-4284A

Q HM2801A HM9481 CJ2851

DCR Keysight 34420A

SRF HM9460

IDC HP-4284A+HP-42841A HM-2713-1+HM-2791 LCR



深圳市岑科实业有限公司

SHEN ZHEN CENKER ENTERPRISE LTD.

TEL:0755-89808755 FAX:0755-27525256

PREPARED

CHECKED

APPROVED

覃玉云

韦秀华

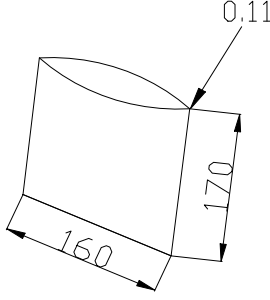
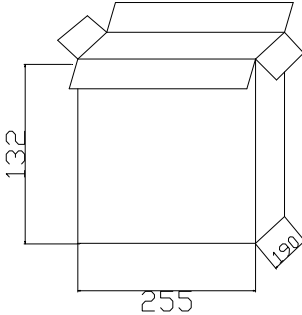
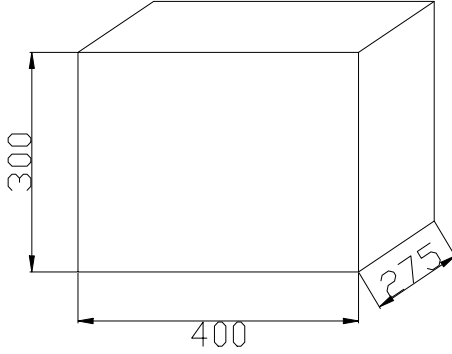
梁贵传

SPECIFICATION FOR APPROVAL

RoHS COMPLIANT

CUSTOMER	2440	CUSTOMER No.	122005000133	PAGE 4/4
CENKER P/N	CKPK0810-4.4mH/K-U3.2	DRAWING No.	SP-CK112-GXA07126	
ISSUE DATE	2020/2/21	VERSION	A0	

6、PACKING(mm):

<p>1. PE BAG: 160*170*0.11mm (200PCS/BAG);</p>	
<p>2. Inside the box size: 255*190*132mm (Loading 12PE BAG ,Quantity 2.4K/PCS)</p>	
<p>3. Outer box: 400*275*300mm (Loading 4 inner box , Quantity 9.6K/PCS)</p>	



深圳市岑科实业有限公司
SHEN ZHEN CENKER ENTERPRISE LTD.
TEL:0755-89808755 FAX:0755-27525256

PREPARED	CHECKED	APPROVED
覃玉云	韦秀华	梁贵传