

产品承认书

SPECIFICATION FOR APPROVED

版本: REV.A0

客户
Customer : 1957

客户料号
Customer P/N : DFDG00218-20-R

品名
Description : RADIAL TYPE CHOKE INDUCTOR

产品型号
CENKER P/N : CKPK0608-850uH/K-U15

图纸编号
Drawing No. : SP-CK112-00044514

产品编号
Product code. :

出图 DRAWING		
制表 Prepared By	审核 Checked By	批准 Approved By
蒋燕萍	蒋燕萍	梁贵传
DATE: 2018-3-13		

承认 CUSTOMER APPROVAL
DATE:

深圳市岑科实业有限公司

SHENZHEN CENKER ENTERPRISE LTD.

地址:深圳市龙华区清泉路金博龙工业园C栋

Address: Building No.C Jinbolong Industrial
Estate, Qingquan Road, Longhua District, Shenzhen
P.R.China

TEL:0755-89808755 FAX:0755-27525256

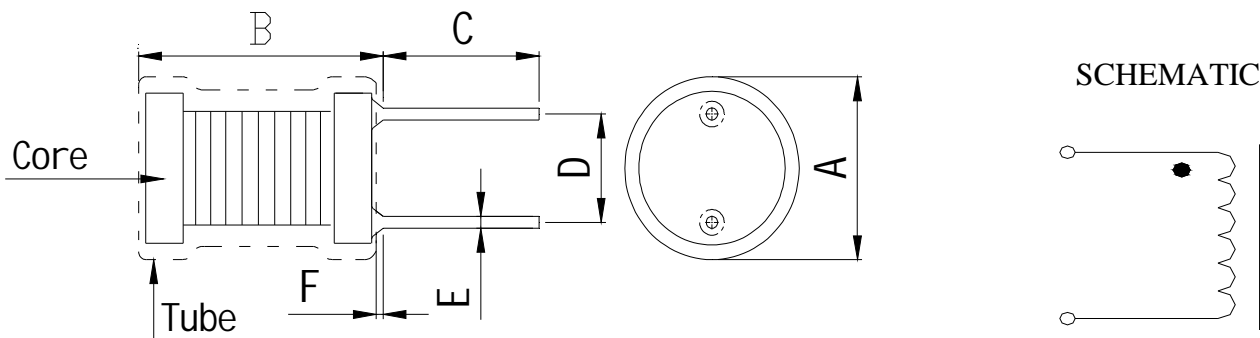


SPECIFICATION FOR APPROVAL

RoHS COMPLIANT

CUSTOMER	1957	CUSTOMER No.	DFDG00218-20-R	PAGE
CENKER P/N	CKPK0608-850uH/K-U15	DRAWING No.	SP-CK112-00044514	1/4
ISSUE DATE	2018-3-13	VERSION	A0	

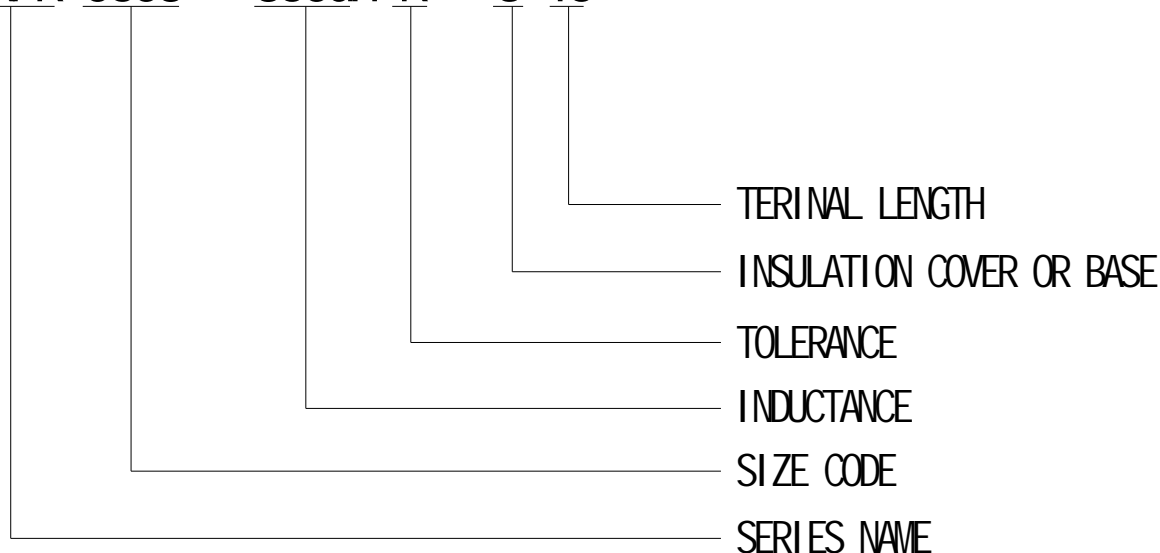
1、 DIMENSION (mm):



NOTE:1. "D" Measured at the position closed to the body
 2. The products need to be varnished

A	B	C	D	E	F
8.0 Max	11.0 Max	15.0±2.0	3.0±0.5	0.6±0.05	2.0 Max

CKPK 0608 - 850uH K - U 15



2、 TEMPERATURE RATING:

Operating Temperature : -40°C ~ +125°C ; Storage Temperature : -40°C ~ +125°C



深圳市岑科实业有限公司
 SHEN ZHEN CENKER ENTERPRISE LTD.
 TEL:0755-89808755 FAX:0755-27525256

PREPARED	CHECKED	APPROVED
蒋燕萍	蒋燕萍	梁贵传

SPECIFICATION FOR APPROVAL

RoHS COMPLIANT

CUSTOMER	1957	CUSTOMER No.	DFDG00218-20-R	PAGE
CENKER P/N	CKPK0608-850uH/K-U15	DRAWING No.	SP-CK112-00044514	2/4
ISSUE DATE	2018-3-13	VERSION	A0	

3、ELECTRICAL REQUIREMENTS:

ITEM	SPEC.	TOLERANCE	TEST FREQUENCY	TEST EQUIPMENT
INDUCTANCE	850uH	±10%	1kHz/0.25V	HP-4284A
DCR	2.6Ω	Max.	at 25℃	Keysight 34420A
IDC	0.15A	L0A×90% Ref.	1kHz/0.25V	HP-4284A+HP-42841A

4、MATERIAL LIST:

No.	Material	Specification	Supplier	Remark
1	Core	NiZn Ferrite DR6×8 SR60	6006	
2	Wire	Φ0.16mm×180.5Ts Ref. (2UEW) or equivalent	6177	155℃
3	Solder	Sn99.3-Cu0.7 or equivalent	6050	
4	Tube	UL Φ6mm(BLACK) or equivalent	6206	
5	Epoxy	J-600 or equivalent	5163	
6	Pin	CP Φ0.6×17.5mm or equivalent	6565	
7	Varnish	844 or equivalent	6906	



深圳市岑科实业有限公司
SHEN ZHEN CENKER ENTERPRISE LTD.
TEL:0755-89808755 FAX:0755-27525256

PREPARED	CHECKED	APPROVED
蒋燕萍	蒋燕萍	梁贵传

SPECIFICATION FOR APPROVAL

RoHS COMPLIANT

PAGE:3/4

CUSTOMER	1957	LOT No.			
CUSTOMER No.	DFDG00218-20-R	QUANTITY	10PCS	DATE	2018-3-13
DRAWING No.	SP-CK112-00044514	DIMENSION(UNIT: mm)			
CENKER P/N	CKPK0608-850uH/K-U15				
DESCRIPTION	RADIAL TYPE CHOKE INDUCTOR				
TEST FREQ	1kHz/0.25V				
TEMPERATURE	25 °C				

5. TESTING DATA:

ELECTRONICAL TEST DATA				OREALL DIMENSTON (UNIT: mm)								
	L	IDC 0.15A	DCR	A	B	C	D	E	F			
SPEC	850uH ±10%	LOA× 90% Ref.	2.6Ω Max.	8.0 Max	11.0 Max	15.0±2.0	3.0±0.5	0.6±0.05	2.0 Max			
1	851.50	809.78	1.96	6.60	9.92	15.29	3.06	0.57	1.16			
2	850.51	809.69	2.01	6.57	9.89	15.35	2.98	0.59	1.15			
3	850.51	809.69	2.02	6.59	9.94	15.27	3.03	0.59	1.05			
4	850.21	808.55	1.98	6.57	9.90	15.36	2.98	0.57	1.15			
5	851.01	809.31	2.02	6.65	9.91	15.31	3.00	0.57	1.12			
6	850.21	807.70	2.03	6.63	9.96	15.33	3.00	0.57	1.05			
7	850.14	808.48	2.05	6.57	9.92	15.29	3.05	0.58	1.16			
8	850.21	809.40	1.98	6.63	9.92	15.29	3.00	0.58	1.21			
9	850.14	809.33	1.96	6.61	9.92	15.28	3.05	0.57	1.14			
10	850.41	810.44	1.98	6.63	9.89	15.28	3.02	0.57	1.12			
\bar{X}	850.49	809.24	2.00	6.61	9.92	15.31	3.02	0.58	1.13			
R	1.36	2.74	0.09	0.08	0.07	0.09	0.08	0.02	0.16			

TEST EQUIPMENT:

ALL JUDGE

OK NG

L CH-1062A HP-4284A

Q HM2801A HM9481 CJ2851

DCR Keysight 34420A

SRF HM9460

IDC HP-4284A+HP-42841A HM-2713-1+HM-2791 LCR



深圳市岑科实业有限公司
SHEN ZHEN CENKER ENTERPRISE LTD.
TEL:0755-89808755 FAX:0755-27525256

PREPARED

蒋燕萍

CHECKED

蒋燕萍

APPROVED

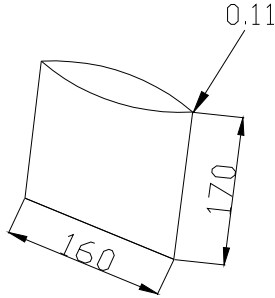
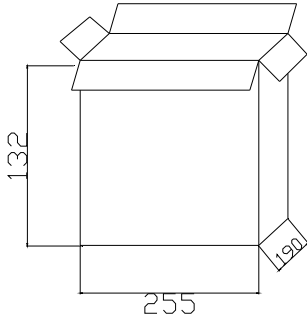
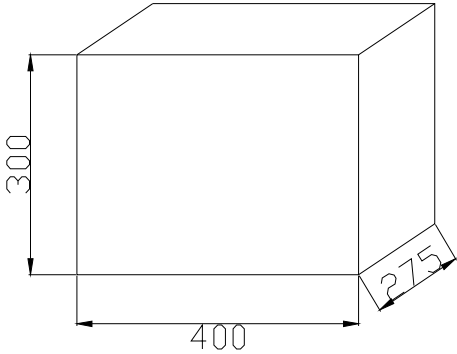
梁贵传

SPECIFICATION FOR APPROVAL

RoHS COMPLIANT

CUSTOMER	1957	CUSTOMER No.	DFDG00218-20-R	PAGE
CENKER P/N	CKPK0608-850uH/K-U15	DRAWING No.	SP-CK112-00044514	4/4
ISSUE DATE	2018-3-13	VERSION	A0	

6、PACKING(mm):

<p>1. PE BAG: 160*170*0.11mm (500PCS/BAG);</p>	
<p>2. Inside the box size: 255*190*132mm (Loading 8PE BAG ,Quantity 4KPCS)</p>	
<p>3. Outer box: 400*275*300mm (Loading 4 inner box , Quantity 16K/PCS)</p>	



深圳市岑科实业有限公司

SHEN ZHEN CENKER ENTERPRISE.LTD

TEL: 0755-89808755 FAX: 0755-27525256

PREPARED	CHECKED	APPROVED
----------	---------	----------

蒋燕萍

蒋燕萍

梁贵传