

# 产品承认书

## SPECIFICATION FOR APPROVED

版本: REV.A0

客户 : 2276  
 Customer :  
 客户料号 : LGB0608-300uH/K  
 Customer P/N :  
 品名 : RADIAL TYPE CHOKE INDUCTOR  
 Description :  
 产品型号 : CKPK0608-300uH/K-U15  
 CENKER P/N :  
 图纸编号 : SP-CK112-GXA02853  
 Drawing No. :  
 产品编号 :  
 Product code. :

出图 DRAWING		
制表 Prepared By	审核 Checked By	批准 Approved By
覃玉云	梁增武	梁贵传
DATE: 2019/2/19		

承认 CUSTOMER APPROVAL
DATE:



深圳市岑科实业有限公司  
 SHENZHEN CENKER ENTERPRISE LTD.

地址:深圳市龙华区清泉路金博龙工业园C栋  
 Address:Building No.C Jinbolong Industrial  
 Estate,Qingquan Road,Longhua District, Shenzhen  
 P.R.China

TEL:0755-89808755 FAX:0755-27525256



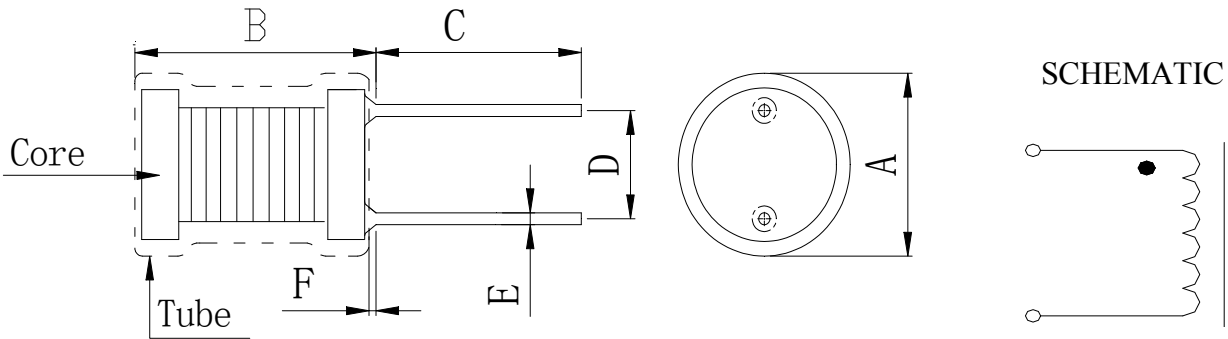


# SPECIFICATION FOR APPROVAL

**RoHS COMPLIANT**

CUSTOMER	2276	CUSTOMER No.	LGB0608-300uH/K	PAGE
CENKER P/N	CKPK0608-300uH/K-U15	DRAWING No.	SP-CK112-GXA02853	1/4
ISSUE DATE	2019/2/19	VERSION	A0	

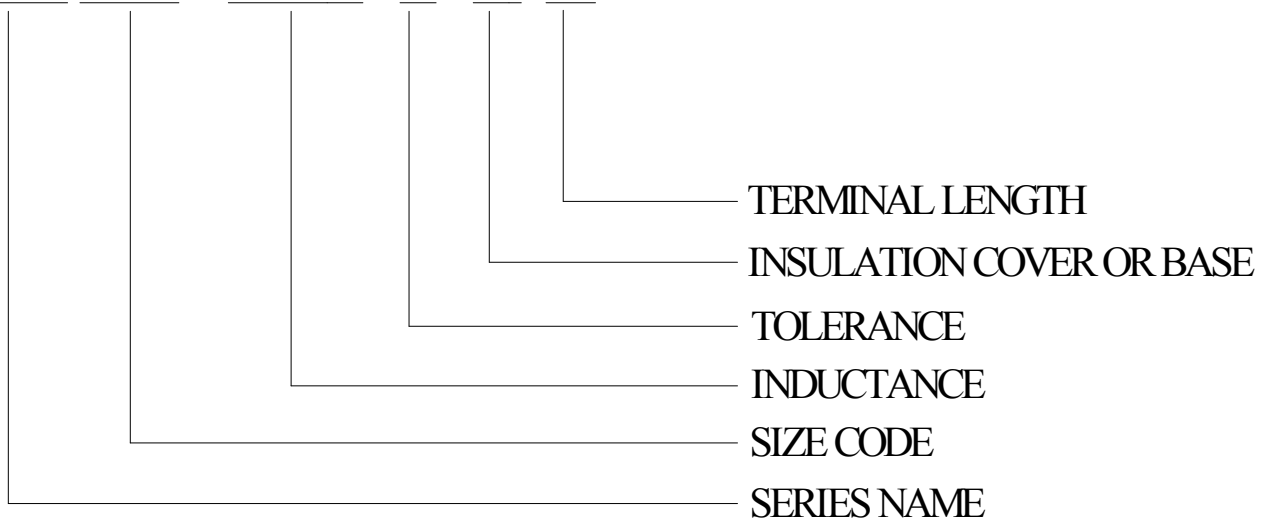
## 1、 DIMENSION (mm):



NOTE: "D" Measured at the position closed to the body

A	B	C	D	E	F
8.0Max	11.0 Max	15.0±2.0	3.0±0.5	0.6±0.05	1.5Max

CKPK 0608    300uH    K    U    15



## 2、 TEMPERATURE RATING:

Operating Temperature : -40°C ~ +85°C ; Storage Temperature : -40°C ~ +85°C

Soldering Profile: 260°C±5; 3~5 Sec

 <p>深圳市岑科实业有限公司 SHEN ZHEN CENKER ENTERPRISE LTD. TEL:0755-89808755 FAX:0755-27525256</p>	PREPARED	CHECKED	APPROVED
	覃玉云	梁增武	梁贵传

# SPECIFICATION FOR APPROVAL

**RoHS COMPLIANT**

CUSTOMER	2276	CUSTOMER No.	LGB0608-300uH/K	PAGE
CENKER P/N	CKPK0608-300uH/K-U15	DRAWING No.	SP-CK112-GXA02853	2/4
ISSUE DATE	2019/2/19	VERSION	A0	

### 3、 ELECTRICAL REQUIREMENTS:

ITEM	SPEC.	TOLERANCE	TEST FREQUENCY	TEST EQUIPMENT
INDUCTANCE	300uH	±10%	1kHz/0.25V	HP-4284A
DCR	1Ω	Max.	at 25°C	Keysight 34420A
IDC	0.35A	L0A*90% Ref.	1kHz/0.25V	HP-4284A+HP-42841A

### 4、 MATERIAL LIST:

No.	Material	Specification	Supplier	Remark
1	Core	DR6×8or equivalent	6006	
2	Wire	2UEW or equivalent	6030	155°C
3	Solder	Sn99.3-Cu0.7 or equivalent	6050	
4	Tube	UL Φ6mm (BLACK) or equivalent	6909	
5	Epoxy	J-600 or equivalent	5163	
6	Pin	CP Φ0.6*17.5mm or equivalent	6565	



深圳市岑科实业有限公司  
SHEN ZHEN CENKER ENTERPRISE LTD.  
TEL:0755-89808755 FAX:0755-27525256

PREPARED	CHECKED	APPROVED
覃玉云	梁增武	梁贵传

# SPECIFICATION FOR APPROVAL

**RoHS COMPLIANT**

PAGE:3/4

CUSTOMER	2276	LOT No.			
CUSTOMER No.	LGB0608-300uH/K	QUANTITY	10PCS	DATE	2019/2/19
DRAWING No.	SP-CK112-GXA02853	DIMENSION(UNIT: mm)			
CENKER P/N	CKPK0608-300uH/K-U15				
DESCRIPTION	RADIAL TYPE CHOKE INDUCTOR				
TEST FREQ	1kHz/0.25V				
TEMPERATURE	25 °C				

## 5. TESTING DATA:

ELECTRONICAL TEST DATA				OREALL DIMENSTON (UNIT: mm)									
	L	IDC 0.35A	DCR	A	B	C	D	E	F				
SPEC	300uH ±10%	LOA*90 % Ref.	1Ω Max.	8.0Max	11.0 Max	15.0±2.0	3.0±0.5	0.6±0.05	1.5Max				
1	305.70	292.86	0.68	6.68	10.05	15.17	3.00	0.58	0.88				
2	308.10	293.31	0.67	6.62	9.96	15.11	3.05	0.59	0.90				
3	309.10	295.19	0.68	6.66	10.01	15.17	3.01	0.58	0.89				
4	305.70	291.64	0.69	6.68	10.01	15.18	3.06	0.59	0.91				
5	303.80	289.52	0.68	6.65	9.99	15.11	2.98	0.58	0.95				
6	306.70	292.59	0.67	6.63	9.99	15.14	2.99	0.58	0.88				
7	307.80	295.18	0.69	6.64	10.03	15.16	3.01	0.59	0.89				
8	304.40	289.79	0.66	6.67	9.97	15.12	3.06	0.58	0.87				
9	307.00	293.49	0.68	6.62	9.98	15.09	3.02	0.57	0.95				
10	306.80	292.69	0.69	6.62	10.01	15.15	3.03	0.59	0.89				
$\bar{X}$	306.51	292.63	0.68	6.65	10.00	15.14	3.02	0.58	0.90				
R	5.30	5.67	0.03	0.06	0.08	0.09	0.08	0.02	0.08				

## TEST EQUIPMENT:

ALL JUDGE

OK  NG

L CH-1062A HP-4284A  
 Q HM2801A HM9481 CJ2851  
 DCR Keysight 34420A CH-502A  
 SRF HM9460  
 IDC HP-4284A+HP-42841A HM-2713-1+HM-2791 LCR



深圳市岑科实业有限公司  
 SHEN ZHEN CENKER ENTERPRISE LTD.  
 TEL:0755-89808755 FAX:0755-27525256

PREPARED

CHECKED

APPROVED

覃玉云

梁增武

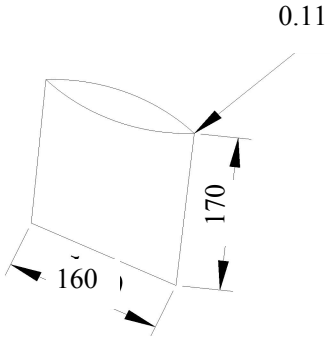
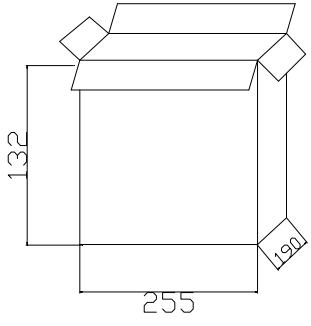
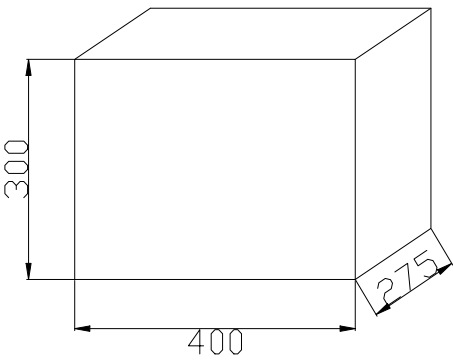
梁贵传

**SPECIFICATION FOR APPROVAL**

**RoHS COMPLIANT**

CUSTOMER	2276	CUSTOMER No.	LGB0608-300uH/K	PAGE 4/4
CENKER P/N	CKPK0608-300uH/K-U15	DRAWING No.	SP-CK112-GXA02853	
ISSUE DATE	2019/2/19	VERSION	A0	

**6、PACKING(mm):**

<p>1. PE BAG: 160*170*0.11mm ( 500PCS/BAG );</p>	
<p>2. Inside the box size: 255*190*132mm ( Loading 8PE BAG ,Quantity4KPCS )</p>	
<p>3. Outer box: 400*275*300mm ( Loading4 inner box , Quantity 16K/PCS )</p>	



深圳市岑科实业有限公司  
SHEN ZHEN CENKER ENTERPRISE LTD.  
TEL:0755-89808755 FAX:0755-27525256

PREPARED	CHECKED	APPROVED
覃玉云	梁增武	梁贵传