

产品承认书

SPECIFICATION FOR APPROVED

版本: REV.A1

客户

2424

Customer

客户料号

23200K13102-H00

Customer P/N

品名

RADIAL TYPE CHOKE INDUCTOR

Description

产品型号

RL0510-131K-FP

Product Model

岑科型号

CKPK0510-130uH/K-U3

CENKER P/N

图纸编号

SP-CK112-GXA06427

Drawing No.

产品编号

Product code.

出图 DRAWING		
制表 Prepared By	审核 Checked By	批准 Approved By
韦春桃	韦秀华	梁贵传
DATE: 2020/1/17		

承认 CUSTOMER APPROVAL
DATE:



深圳市岑科实业有限公司

SHENZHEN CENKER ENTERPRISE LTD.

地址:深圳市龙华区清泉路金博龙工业园 C栋

Address: Building No.C Jinbolong Industrial Estate, Qingquan Road, Longhua District, Shenzhen

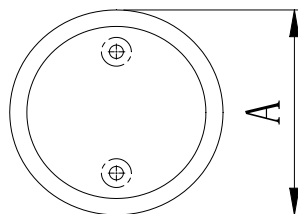
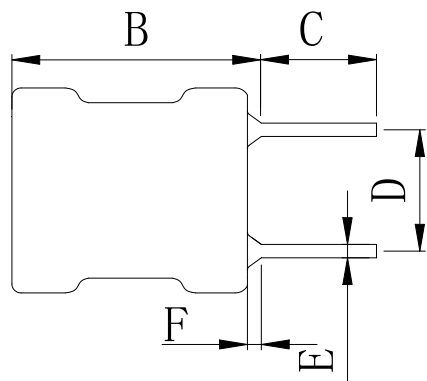
P.R.China

TEL:0755-89808755 FAX:0755-27525256

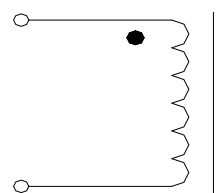


CUSTOMER	2424	CUSTOMER No.	23200K13102-H00	PAGE
CENKER P/N	RL0510-131K-FP	DRAWING No.	SP-CK112-GXA06427	1/5
ISSUE DATE	2020/1/17	VERSION	A1	

1、 DIMENSION (mm):

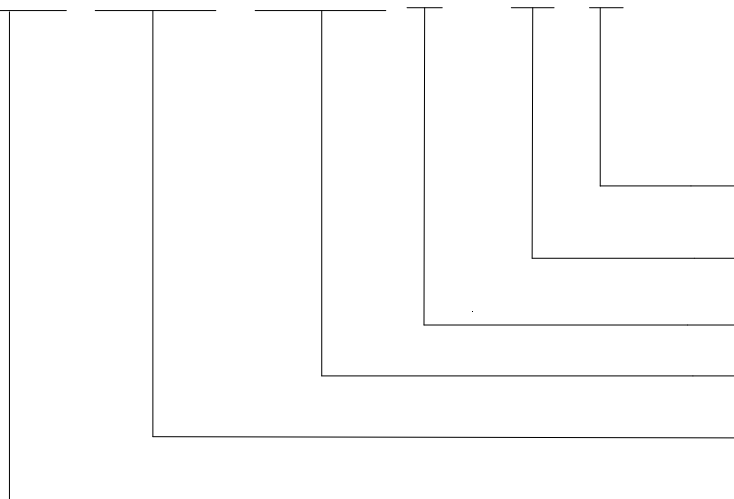


SCHEMATIC



A	B	C	D	E	F
6.5 Max	12.5 Max	3.0±0.4	2.5±0.5	0.6±0.1	2.0Max

CKPK 0510 - 130uH K - U 3



- TERMINAL LENGTH
- INSULATION COVER OR BASE
- TOLERANCE
- INDUCTANCE
- SIZE CODE
- SERIES NAME

2、 TEMPERATURE RATING:

Operating Temperature : -25°C ~ +85°C ; Storage Temperature : -25°C ~ +85°C



深圳市岑科实业有限公司
 SHEN ZHEN CENKER ENTERPRISE LTD.
 TEL:0755-89808755 FAX:0755-27525256

PREPARED	CHECKED	APPROVED
韦春桃	韦秀华	梁贵传

SPECIFICATION FOR APPROVAL**Halogen Free****RoHS COMPLIANT**

CUSTOMER	2424	CUSTOMER No.	23200K13102-H00	PAGE
CENKER P/N	RL0510-131K-FP	DRAWING No.	SP-CK112-GXA06427	2/5
ISSUE DATE	2020/1/17	VERSION	A1	

3、 ELECTRICAL REQUIREMENTS:

ITEM	SPEC.	TOLERANCE	TEST FREQUENCY	TEST EQUIPMENT
INDUCTANCE	130uH	±10%	1kHz/0.25V	HP-4284A
DCR	0.6Ω	Max.	at 25°C	Keysight 34420A
IDC	0.55A	L0A*85% Ref.	1kHz/0.25V	HP-4284A+HP-42841A

4、 MATERIAL LIST:

No.	Material	Specification	Supplier	UL
1	Core	SR60 DR 5*10.2 B2.5 F6 ui600 or equivalent	SUNRISE FERRITE CORES ELECTRONIC CO.,LTD.	
2	Wire	00.25mm×79.5Ts. Ref.2UEW (QA-*/155) or equivalent	YIDA	E344055
3	Solder	Sn99.9 or equivalent	CHANGSHENG	
4	Tube	UL Φ5mm X-2 or equivalent	XINGQI	E350991
		UL Φ5mm RSFR-H or equivalent	WOER	E203950
5	Epoxy	J-600 or equivalent	CENKER	
6	Pin	CP Φ0.6*17.5mm or equivalent	CENKER	



深圳市岑科实业有限公司
SHEN ZHEN CENKER ENTERPRISE LTD.
TEL:0755-89808755 FAX:0755-27525256

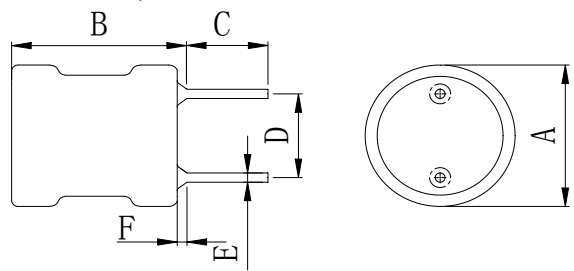
PREPARED	CHECKED	APPROVED
韦春桃	韦秀华	梁贵传

SPECIFICATION FOR APPROVAL

Halogen Free

RoHS COMPLIANT

PAGE:3/5

CUSTOMER	2424	LOT No.			
CUSTOMER No.	23200K13102-H00	QUANTITY	10PCS	DATE	2020/1/17
DRAWING No.	SP-CK112-GXA06427	DIMENSION(UNIT: mm) 			
CENKER P/N	RL0510-131K-FP				
DESCRIPTION	RADIAL TYPE CHOKE INDUCTOR				
TEST FREQ	1kHz/0.25V				
TEMPERATURE	25 °C				

5. TESTING DATA:

ELECTRONICAL TEST DATA				OREALL DIMENSTON (UNIT: mm)									
	L	IDC 0.55A	DCR	A	B	C	D	E	F				
SPEC	130uH ±10%	L0A*85 % Ref.	0.6Ω Max.	6.5 Max	12.5 Max	3.0±0.4	2.5±0.5	0.6±0.1	2.0Max				
1	130.20	120.17	0.32	5.56	11.90	3.02	2.57	0.59	1.45				
2	131.50	121.51	0.33	5.57	11.97	2.97	2.52	0.57	1.47				
3	131.70	121.82	0.31	5.58	12.06	2.96	2.55	0.58	1.46				
4	129.20	119.64	0.32	5.62	12.03	3.05	2.52	0.58	1.44				
5	130.20	120.04	0.33	5.62	12.03	3.02	2.56	0.58	1.46				
6	130.20	120.30	0.32	5.64	12.00	3.07	2.53	0.58	1.44				
7	129.80	119.81	0.32	5.65	12.06	3.08	2.52	0.58	1.49				
8	131.50	121.64	0.33	5.60	12.05	2.98	2.51	0.57	1.44				
9	131.20	121.23	0.32	5.60	12.05	3.05	2.59	0.57	1.41				
10	130.70	120.64	0.31	5.62	12.05	3.06	2.53	0.57	1.47				
\bar{X}	130.62	120.68	0.32	5.61	12.02	3.03	2.54	0.58	1.45				
R	2.50	2.18	0.02	0.09	0.16	0.12	0.08	0.02	0.08				

TEST EQUIPMENT:

ALL JUDGE

OK NG

L CH-1062A HP-4284A
 Q HM2801A HM9481 CJ2851
 DCR Keysight 34420A
 SRF HM9460
 IDC HP-4284A+HP-42841A HM-2713-1+HM-2791 LCR



深圳市岑科实业有限公司
 SHEN ZHEN CENKER ENTERPRISE LTD.
 TEL:0755-89808755 FAX:0755-27525256

PREPARED

CHECKED

APPROVED

韦春桃

韦秀华

梁贵传

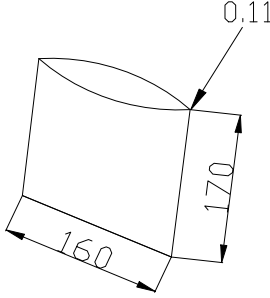
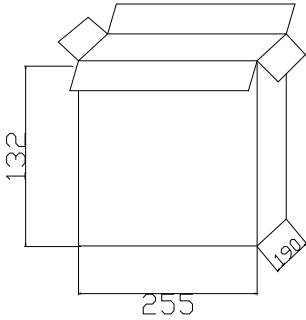
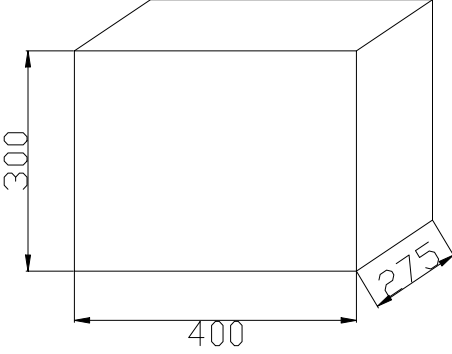
SPECIFICATION FOR APPROVAL

Halogen Free

RoHS COMPLIANT

CUSTOMER	2424	CUSTOMER No.	23200K13102-H00	PAGE 4/5
CENKER P/N	RL0510-131K-FP	DRAWING No.	SP-CK112-GXA06427	
ISSUE DATE	2020/1/17	VERSION	A1	

6、PACKING(mm):

<p>1. PE BAG: 160*170*0.11mm (500PCS/BAG);</p>	
<p>2. Inside the box size: 255*190*132mm (Loading 10PE BAG ,Quantity5K/PCS)</p>	
<p>3. Outer box: 400*275*300mm (Loading 4 inner box , Quantity 20K/PCS)</p>	



深圳市岑科实业有限公司
SHEN ZHEN CENKER ENTERPRISE LTD.
TEL:0755-89808755 FAX:0755-27525256

PREPARED	CHECKED	APPROVED
韦春桃	韦秀华	梁贵传

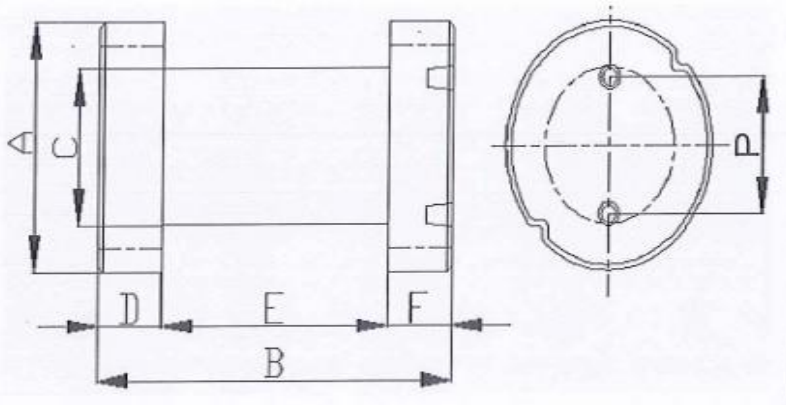
SPECIFICATION FOR APPROVAL

Halogen Free

RoHS COMPLIANT

CUSTOMER	2424	CUSTOMER No.	23200K13102-H00	PAGE
CENKER P/N	RL0510-131K-FP	DRAWING No.	SP-CK112-GXA06427	5/5
ISSUE DATE	2020/1/17	VERSION	A1	

磁芯尺寸图Magnetic core size chart



A	5.00 ± 0.20	mm
B	10.2 ± 0.40	mm
C	2.50 ± 0.20	mm
D	2.00 ± 0.15	mm
E	6.20 ± 0.20	mm
F	2.00 ± 0.15	mm
P	2.50 ± 0.30	mm



深圳市岑科实业有限公司
 SHEN ZHEN CENKER ENTERPRISE LTD.
 TEL:0755-89808755 FAX:0755-27525256

PREPARED	CHECKED	APPROVED
韦春桃	韦秀华	梁贵传



OBMW2.E344055
Magnet Wire - Component

Page Bottom

Magnet Wire - Component

See General Information for Magnet Wire - Component

DONG GUAN YIDA INDUSTRIAL CO LTD
NANSHE DEVELOPMENT DISTRICT
CHASHAN TOWN
DONGGUAN, GUANGDONG 523391 CHINA

E344055


Material Designation	Mark Dsg	Base Coat	Top Coat	ANSI Type	Temp Class
xEI/AIW(AL)/220, Q(ZY/XY)L-x/220	xEI/AIW(AL)/220, Q(ZY/XY)L-x/220	Polyester-imide	Polyamide-imide	MW 35-A	220
		Polyester-imide	Polyamide-imide	MW 73-A	220
xEI/AIW/200, Q(ZY/XY)-x/200	xEI/AIW/200, Q(ZY/XY)-x/200	Polyester-imide	Polyamide-imide	MW 35-C	200[#]
		Polyester-imide	Polyamide-imide	MW 73-C	200[#]
xEI/AIW/220, Q(ZY/XY)-x/220	xEI/AIW/220, Q(ZY/XY)-x/220	Polyester-imide	Polyamide-imide	MW 37-C	220
xEIW/180, QZY-x/180	xEIW/180, QZY-x/180	Polyester-imide	-	MW 30-C	180[#]
xPEW/155, QZ-x/155	xPEW/155, QZ-x/155	Polyester	-	MW 5-C	155[#]
xSEIW/180, QZYH-x/180	xSEIW/180, QZYH-x/180	Polyester-imide	-	MW 77-C	180
xSPEW/155, QZH-x/155	xSPEW/155, QZH-x/155	Polyester-imide	-	MW 26-C	155[#]
xUEW/130, QA-x/130	xUEW/130, QA-x/130	Polyurethane	-	MW 75-C	130[#]
xUEW/155, QA-x/155	xUEW/155, QA-x/155	Polyurethane	-	MW 79-C	155[#]
xUEW/180, QA-x/180	xUEW/180, QA-x/180	Polyurethane	-	MW 82-C	180

Material Designation	Mark Dsg	Base Coat	Top Coat	Bond Coat	ANSI/Conductor Type	Temp Class
QZ-x/130	QZ-x/130	Polyester-imide	-	-	-	130[#]
QZL-x/130	QZL-x/130	Polyester-imide	-	-	Al	130[#]
xEI/AIW(AL)/200, Q(ZY/XY)L-x/200	xEI/AIW(AL)/200, Q(ZY/XY)L-x/200	Polyester-imide	Polyamide-imide	-	Al	200[#]
xEIW(AL)/180, QZYL-x/180	xEIW(AL)/180, QZYL-x/180	Polyester-imide	-	-	Al	180[#]
xEIW(AL)/200, QZYL-x/200	xEIW(AL)/200, QZYL-x/200	Polyester-imide	-	-	Al	200

xEIW/200, QZY-x/200	xEIW/200, QZY-x/200	Polyester-imide	-	-	-	200
xPEW(AL)/155, QZL-x/155	xPEW(AL)/155, QZL-x/155	Polyester-imide	-	-	Al	155[#]
xSEIW(AL)/180, QZYHL-x/180	xSEIW(AL)/180, QZYHL-x/180	Polyester-imide	-	-	Al	180
xSPEW(AL)/155, QZHL-x/155	xSPEW(AL)/155, QZHL-x/155	Polyester-imide	-	-	Al	155[#]
xUEW(AL)/130, QAL-x/130	xUEW(AL)/130, QAL-x/130	Polyurethane	-	-	Al	130[#]
xUEW(AL)/155, QAL-x/155	xUEW(AL)/155, QAL-x/155	Polyurethane	-	-	Al	155[#]
xUEW(AL)/180, QAL-x/180	xUEW(AL)/180, QAL-x/180	Polyurethane	-	-	Al	180

[#] - The magnet wire may perform better than the rating reflects and may not be suitable for insulation system, varnish or end-product testing. Further consideration is necessary prior to its use in testing.

x - May be replaced by 0, 1, 2, 3 to indicate coating thickness.

Marking: Company name, material designation or marked designation and the Recognized Component Mark,  on the shipping spool label or smallest unit container in which the product is packaged.

Last Updated on 2016-04-02

[Questions?](#)

[Print this page](#)

[Terms of Use](#)

[Page Top](#)

◆ 2016 UL LLC

The appearance of a company's name or product in this database does not in itself assure that products so identified have been manufactured under UL's Follow-Up Service. Only those products bearing the UL Mark should be considered to be Certified and covered under UL's Follow-Up Service. Always look for the Mark on the product.

UL permits the reproduction of the material contained in the Online Certification Directory subject to the following conditions: 1. The Guide Information, Assemblies, Constructions, Designs, Systems, and/or Certifications (files) must be presented in their entirety and in a non-misleading manner, without any manipulation of the data (or drawings). 2. The statement "Reprinted from the Online Certifications Directory with permission from UL" must appear adjacent to the extracted material. In addition, the reprinted material must include a copyright notice in the following format: "© 2016 UL LLC".

YDPU8.E203950 Tubing, Extruded Insulating Certified for Canada - Component

[Page Bottom](#)

Tubing, Extruded Insulating Certified for Canada - Component

[See General Information for Tubing, Extruded Insulating Certified for Canada - Component](#)

SHENZHEN WOER HEAT-SHRINKABLE MATERIAL CO LTD

E203950

Xinwei Industrial Park, Woer Mansion
Nanshan District, Xili
Shenzhen, Guangdong 518052 CHINA

Cat. No.	Max V, rms	Max Oper Temp, C	Col Recognized	Oil-resistance Class	VW-1 Rated #
Flexible Heat-Shrinkable Polyolefin Tubing					
RSFR	600	125	All except Clear	None	\$
WKZM-x-yz	600	125	White	None	No
RSFR-H	600	125	All except Clear	None	Yes
RSFR(CB)	300	125	All except Clear	None	Yes
RSFR-HPF	600	125	All except Clear	None	Yes
Not Heat-Shrinkable PTFE Tubing					
WF	600	200	Natural	None	Yes
Heat-Shrinkable Polyolefin Tubing with Meltable Liner					
SBRS	600	125	All except Clear	None	Yes
Not Heat-Shrinkable Standard Wall Silicone Tubing					
WST-600	600	150	White	None	@

x-yz - x represents expanded ID, yz represents any alpha and/or numeric combination - for internal client code.

- Tubing is considered to comply with the optional VW-1 flammability requirements only if it is so marked for tubing authorized below.

@ - VW-1 rated for internal diameter sizes 6.50 - 15.00 mm only.

\$ - VW-1 rated for black color only.

Marking: Company name or file number "E203950", catalog number, voltage rating, temperature rating in degrees C, inside diameter (before and after recovery for heat shrinkable tubing), date of manufacture (or traceable code)

and the Recognized Component Mark for Canada  on tags attached to both ends of the tubing, or printed on the shipping spool label or smallest unit container in which the product is packaged.

[Last Updated](#) on 2014-03-03

[Questions?](#)

[Print this page](#)

[Terms of Use](#)

[Page Top](#)

© 2014 UL LLC

When the UL Leaf Mark is on the product, or when the word "Environment" is included in the UL Mark, please search the [UL Environment database](#) for additional information regarding this product's certification.

The appearance of a company's name or product in this database does not in itself assure that products so identified have been manufactured under UL's Follow-Up Service. Only those products bearing the UL Mark should be considered to be Certified and covered under UL's Follow-Up Service. Always look for the Mark on the product.

UL permits the reproduction of the material contained in the Online Certification Directory subject to the following

conditions: 1. The Guide Information, Assemblies, Constructions, Designs, Systems, and/or Certifications (files) must be presented in their entirety and in a non-misleading manner, without any manipulation of the data (or drawings). 2. The statement "Reprinted from the Online Certifications Directory with permission from UL" must appear adjacent to the extracted material. In addition, the reprinted material must include a copyright notice in the following format: "© 2014 UL LLC".



YDPU2.E350991 Tubing, Extruded Insulating - Component

[Page Bottom](#)

Tubing, Extruded Insulating - Component

[See General Information for Tubing, Extruded Insulating - Component](#)**SHENZHEN XINGQI PLASTIC PRODUCTS CO LTD**

E350991

Bldg 3, 2Nd Fl, Side A
Dejicheng Industry Park Hongao Village
New Guangming District
Shenzhen, Guangdong 518000 CHINA

Cat. No.	Max V, rms	Max Oper Temp, °C	Col Recognized	Oil-resistance Class*	VW-1 Rated#
Flexible Heat Shrinkable Polyolefin tubing.					
X-2	600	125	Black	—	Yes

* Tubing is considered to comply with the optional oil resistant requirements only if it is so marked.

Tubing is considered to comply with the optional VW-1 flammability requirements only if it is so marked.

Marking: Company name or "E350991" or tradename "XINGQI", catalog designation, inside diameter (before and after recovery for heat-shrinkable tubing), voltage rating, temperature rating in degrees C and date of manufacture to be printed on tags attached to both ends of the tubing or on the shipping spool label or smallest unit container in which the product is packaged.

[Last Updated](#) on 2012-02-14[Questions?](#)[Print this page](#)[Terms of Use](#)[Page Top](#)

◆ 2015 UL LLC

When the UL Leaf Mark is on the product, or when the word "Environment" is included in the UL Mark, please search the [UL Environment database](#) for additional information regarding this product's certification.

The appearance of a company's name or product in this database does not in itself assure that products so identified have been manufactured under UL's Follow-Up Service. Only those products bearing the UL Mark should be considered to be Certified and covered under UL's Follow-Up Service. Always look for the Mark on the product.

UL permits the reproduction of the material contained in the Online Certification Directory subject to the following conditions: 1. The Guide Information, Assemblies, Constructions, Designs, Systems, and/or Certifications (files) must be presented in their entirety and in a non-misleading manner, without any manipulation of the data (or drawings). 2. The statement "Reprinted from the Online Certifications Directory with permission from UL" must appear adjacent to the extracted material. In addition, the reprinted material must include a copyright notice in the following format: "© 2015 UL LLC".