

PTN3944

Multi-channel PCIe 4.0 linear equalizer

Rev. 1.1 — 10 June 2021

Product data sheet

1 General description

PTN3944 is a high-performance multi-channel (x4) linear equalizer that is optimized for PCIe 4.0, UPI, and similar high-speed interfaces.

PTN3944 addresses high-speed signal quality enhancement requirements for implementation of PCIe and UPI interfaces[1].

The device provides programmable linear equalization, output swing linearity control by pin strapping or I²C control to improve signal integrity and enable channel extension by reducing Inter-Symbol Interference (ISI). The equalizer supports use across a variety of channel conditions.

PTN3944 is powered from a 1.8 V supply. It is available in a small high performance HWFLGA36 package.

2 Features

- Supports PCIe Gen1 (2.5 Gbps) x4, Gen2 (5 Gbps) x4, Gen3 (8 Gbps) x4, and Gen4 (16 Gbps) x4
 - Peaking gain up to 18.3 dB at 8 GHz
 - Output swing linearity control: 500 mV_{ppd} to 950 mV_{ppd}
 - Flat gain of +0.7 dB or -0.7 dB
- Configurable via I²C interface (supports 16 slave addresses)
- Supports maximum voltage limit (V_{voltage_jump}) to align to the latest system platform capabilities
- Integrated termination resistors provide impedance matching on both transmit and receive sides
- RX equalizers on all high-speed channels to compensate for signal attenuation
- Good linearity over the frequency band (DC to Nyquist Frequency) and input voltage dynamic range
- Differential input/output return loss performance < -15 dB up to 8 GHz
- Flow-through pin-out to ease PCB layout and minimize crosstalk effects
 - Very low crosstalk: DDNEXT < -60 dB up to 8 GHz
 - Very low crosstalk: DDFEXT < -50 dB up to 8 GHz
- Low active current consumption for output swing linearity control of 950 mV_{ppd}
 - Single channel: 62 mA (typ)
 - Two channels: 125 mA (typ)
 - Four channels: 250 mA (typ)
- Power Supply 1.7 V to 1.9 V
- Small high performance HWFLGA36 package
- ESD HBM 1.5 kV, CDM 1 kV
- Operating temperature range -20 °C to +85 °C



3 Applications

- Servers
- Data centers
- AI/ML hardware accelerators
- Hub or dock devices
- Edge mobile computing devices

4 Ordering information

Table 1. Ordering information

Type number	Topside marking	Package		
		Name	Description	Version
PTN3944EW	44	HWFLGA36	plastic thermal enhanced very very thin fine-pitch land grid array package	SOT1948-1

4.1 Ordering options

Table 2. Ordering options

Type number	Orderable part number	Package	Packing method	Minimum order quantity	Temperature
PTN3944EW	PTN3944EWY	HWFLGA36	REEL 13" Q1 DP	7000	T _{amb} = -20 °C to 85 °C

5 Functional diagram

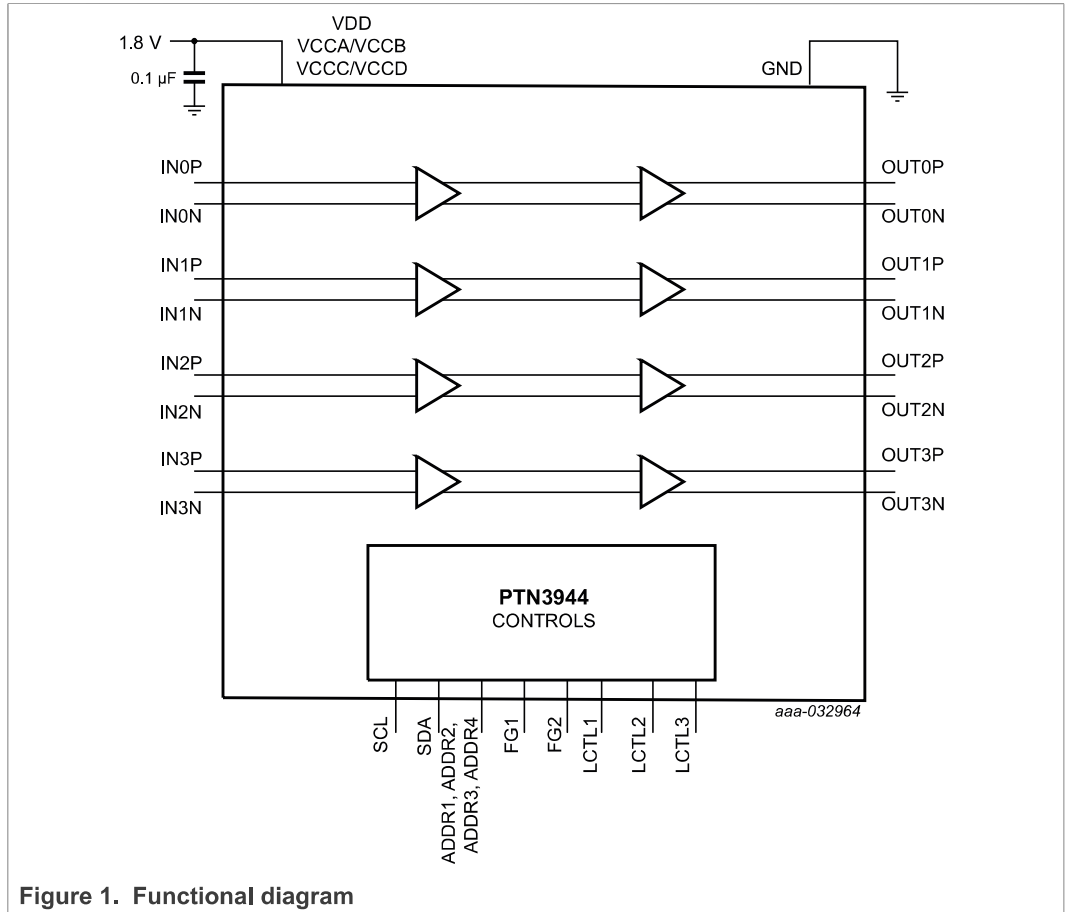


Figure 1. Functional diagram

6 Pinning information

6.1 Pinning

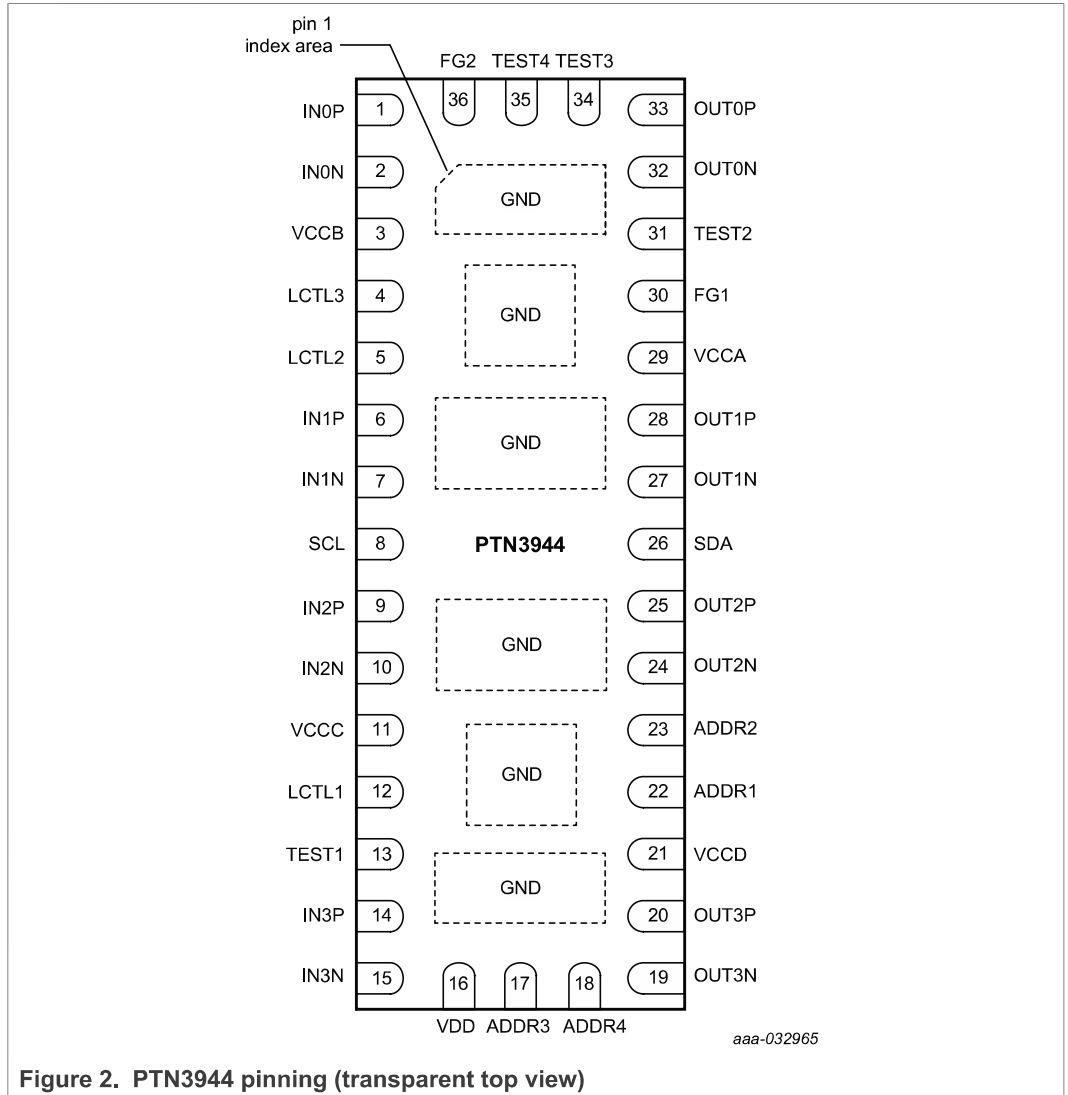


Figure 2. PTN3944 pinning (transparent top view)

6.2 Pin description

Table 3. Pin description

Symbol	Pin	Type	Description
1	IN0P	Self-biasing differential input/output	Differential signal high-speed input/output. IN0P makes a differential pair with IN0N. The associated output TX pair is OUT0P and OUT0N.
2	IN0N		
3	VCCB	Power pins for high-speed paths	These dedicated power pins for high-speed differential pairs provide good signal integrity and isolation
11	VCCC		
21	VCCD		
29	VCCA		

Table 3. Pin description...continued

Symbol	Pin	Type	Description
4	LCTL3	Ternary Input	Ternary Input for controlling Output Linear Swing on the downstream side of the chip. Refer to Table 6 for details
12	LCTL1	Ternary input	LCTL1 and LCTL2 are Peaking setting pins for inputs on upstream side of the chip. Refer to Table 4 and Table 5 for details
5	LCTL2		
6	IN1P	Self-biasing differential input	Differential signal from high-speed RX path. IN1P makes a differential pair with IN1N. The associated TX output pair is OUT1P and OUT1N
7	IN1N		
8	SCL	Open Drain input	When operating in I ² C mode, this pin is slave I ² C clock pin, and external pull-up resistor to I ² C supply (1.8 V or 3.3 V) is required. If I ² C is not used, then this pin could be connected to 1.8 V or to GND. Do not leave floating.
9	IN2P	Self-biasing differential input	Differential signal from high-speed RX path. IN2P makes a differential pair with IN2N. The associated TX output pair is OUT2P and OUT2N
10	IN2N		
13	TEST1	Reserved test pin	Reserved for test purpose only. Must be connected to GND in the system application
14	IN3P	Self-biasing differential input/output	Differential signal high-speed input/output. IN3P makes a differential pair with IN3N. The associated output TX pair is OUT3P and OUT3N.
15	IN3N		
16	VDD	Power	1.8 V Supply for I ² C and digital blocks
17	ADDR3	Binary input	I ² C slave address selection pin in I ² C mode controls bit [4]
18	ADDR4	Binary input	I ² C slave address selection pin in I ² C mode controls bit [6]
19	OUT3N	Self-biasing differential input/output	Differential signal high-speed input/output. OUT3P makes a differential pair with OUT3N. The associated output/ input pair is IN3P and IN3N.
20	OUT3P		
22	ADDR1	Quaternary Input	I ² C slave address selection pin in I ² C mode
23	ADDR2	Binary input	I ² C Slave address extension input
30	FG1	Ternary input	Flat Gain control static input 1
24	OUT2N	Self-biasing differential output	Differential signal of high-speed TX path. OUT2P makes a differential pair with OUT2N. The associated RX input pair is IN2N and IN2P
25	OUT2P		
26	SDA	Binary open drain input/output	When PTN3944 is operating in I ² C mode, this pin is slave I ² C Data pin, and external pull-up resistor to I ² C supply (1.8 V or 3.3 V) is required. If I ² C is not used, then this pin could be connected to 1.8 V or to GND. Do not leave floating.
27	OUT1N	Self-biasing differential output	Differential signal of high-speed TX path. OUT1P makes a differential pair with OUT1N. The associated RX input pair is IN1P and IN1N
28	OUT1P		
31	TEST2	Reserved test pin	Reserved for test purpose only. Must be connected to GND in the system application
32	OUT0N	Self-biasing differential input/output	Differential signal high-speed input/output. OUT0P makes a differential pair with OUT0N. The associated input pair is IN0P and IN0N.
33	OUT0P		
34	TEST3	Reserved test pin	Reserved for test purpose only. Must be connected to GND in the system application

Table 3. Pin description...continued

Symbol	Pin	Type	Description
35	TEST4	Reserved test pin	Reserved for test purpose only. Must be connected to GND in the system application
36	FG2	Ternary input	Flat Gain control static input 2
Center pads	GND		These six center pads must be connected to GND plane for both electrical grounding and thermal relief

7 Functional description

7.1 PCIe operation

PTN3944 supports PCIe speeds at 2.5 Gbps, 5 Gbps, 8 Gbps, and 16 Gbps with receiver equalization and linearity control. The receive equalization gain and linearity level are configured either via I²C register settings or pin strapping (LCTL[3:1], FG[2:1]).

- Active state wherein device is fully operational. In this state, PCIe connection exists and the Receive Termination remains active. PTN3944 supports entering into Deep standby state using an I²C register write.

PTN3944 uses lane count information for configuring the transmitters and receivers. It is possible that only a subset of lanes gets selected and remaining lanes are not active. Depending on the number of lanes selected, PTN3944 is configured to operate with the selected lane count thereby saving power consumption on unused lanes. This can be configured via I²C.

7.2 Linear equalizer control

PTN3944 allows for programming of equalization and linearity levels on a per channel basis. Peaking gain is referenced to the maximum data rate (or Nyquist channel) in that channel. Linearity (Output swing control) is set based on selected input source signal amplitude, Tx preset, and expected channel attenuation.

7.2.1 Power-on operational mode

After Power On Reset (POR) initialization, the device goes into PCIe mode of operation.

7.2.2 Channel settings

PTN3944 can be configured via GPIO or using the I²C interface. The I²C interface allows many more settings to be configured. The ternary channel condition or GPIO inputs LCTL1, LCTL2, LCTL3, FG1 and FG2 are enabled and sampled at POR. The detected values from these ternary inputs are then used to initialize the I²C registers. After entry into I²C mode, changes to the ternary channel conditions are ignored and subsequent writes of I²C values overwrite the sampled ternary input values. Once the ternary inputs have been sampled during Mode detection, there is no mechanism to reinitialize the I²C registers to the sampled values except an I²C write. When a software reset is issued, I²C register values get reset to the stored value of the ternary inputs sampled at power-up.

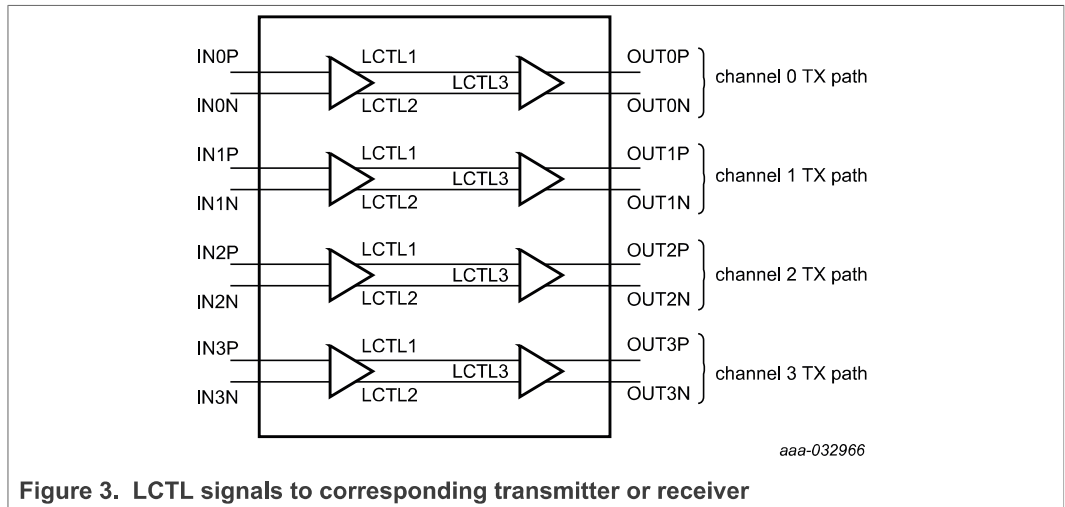


Table 4 and Table 5 will be expanded to cover gain values at different link rates of PCIe.

Table 4. LCTL[2:1] Channel configurations: Flat gain setting of 0.7 dB (typical)

Peaking Gain is the equalization gain at specific frequency relative to absolute gain at 10 MHz and for Flat Gain setting of 0.7 dB (typical)

I ² C register value <3:0>	LCTL2	LCTL1	Unit	Gain at 10 MHz	100 MHz	1.35 GHz	2.5 GHz	4 GHz	6.75 GHz	8 GHz
0000	LOW	OPEN	dB	0.8	0	-0.3	-0.2	0.1	1.1	1.7
0001	OPEN	LOW	dB	0.8	0	-0.2	0.0	0.3	1.5	2.2
0010			dB	0.8	0	0	0.2	0.6	2.0	2.9
0011	HIGH	HIGH	dB	0.8	0.1	0.2	0.5	1.1	2.9	4.0
0100			dB	0.8	0.1	0.4	0.8	1.5	3.6	4.9
0101	HIGH	OPEN	dB	0.8	0.1	0.9	1.5	2.5	5.2	6.8
0110			dB	0.8	0.1	1.1	1.9	3.1	6.1	7.8
0111	HIGH	LOW	dB	0.8	0.1	1.7	2.7	4.3	7.8	9.7
1000			dB	0.8	0.2	2.3	3.6	5.5	9.5	11.6
1001	OPEN	HIGH	dB	0.8	0.2	2.6	4.0	6.1	10.3	12.4
1010			dB	0.8	0.1	3.1	4.8	7.1	11.6	13.9
1011	LOW	HIGH	dB	0.8	0.1	3.5	5.3	7.8	12.6	15.0
1100			dB	0.9	0.1	3.8	5.7	8.3	13.3	15.8
1101	OPEN	OPEN	dB	0.9	0.1	4.1	6.1	8.9	14.1	16.6
1110			dB	0.9	0.1	4.1	6.1	8.9	14.1	16.6
1111	LOW	LOW	dB	0.9	0.2	4.1	6.1	8.9	14.2	16.6

Table 5. LCTL[2:1] Channel configurations: Flat gain setting of -0.7 dB (typical)

Peaking Gain is the equalization gain at specific frequency relative to absolute gain at 10 MHz and for Flat Gain setting of -0.7 dB (typical)

I ² C register value <3:0>	LCTL2	LCTL1	Unit	Gain at 10 MHz	100 MHz	1.35 GHz	2.5 GHz	4 GHz	6.75 GHz	8 GHz
0000	LOW	OPEN	dB	-0.7	0	-0.1	0.4	1.2	2.6	3.4
0001	OPEN	LOW	dB	-0.8	0	0.1	0.6	1.5	3.1	4.0
0010			dB	-0.8	0	0.3	0.9	1.8	3.7	4.7
0011	HIGH	HIGH	dB	-0.8	0.1	0.6	1.3	2.4	4.6	5.8
0100			dB	-0.8	0.1	0.8	1.7	2.9	5.3	6.6
0101	HIGH	OPEN	dB	-0.8	0.1	1.4	2.5	4.0	7.0	8.5
0110			dB	-0.9	0.1	1.7	3.0	4.7	7.9	9.6
0111	HIGH	LOW	dB	-0.9	0.2	2.5	3.9	5.9	9.6	11.5
1000			dB	-0.9	0.2	3.2	4.9	7.2	11.3	13.3
1001	OPEN	HIGH	dB	-0.9	0.2	3.5	5.3	7.8	12.0	14.2
1010			dB	-0.8	0.2	4.1	6.1	8.8	13.4	15.6
1011	LOW	HIGH	dB	-0.8	0.2	4.6	6.7	9.5	14.4	16.7
1100			dB	-0.8	0.2	4.9	7.2	10.0	15.1	17.5
1101	OPEN	OPEN	dB	-0.7	0.2	5.2	7.6	10.6	15.8	18.3
1110			dB	-0.7	0.2	5.2	7.6	10.6	15.8	18.3
1111	LOW	LOW	dB	-0.7	0.2	5.2	7.6	10.6	15.8	18.3

Table 6. LCTL3 channel configuration

I ² C Register Value	LCTL3	Output linear swing (OLS) -1 dB compression point
0		500 mV _{ppd}
1	OPEN	650 mV _{ppd}
2	LOW	800 mV _{ppd}
3	HIGH	950 mV _{ppd}

Table 7. Channel flat gain control using FG1 and FG2 pins

FG2	FG1	Flat gain in dB of individual channels - I ² C offset register 0x03, bits [3:0]			
		Ch0	Ch1	Ch2	Ch3
LOW	LOW	+0.7	+0.7	+0.7	+0.7
LOW	OPEN	+0.7	+0.7	+0.7	-0.7
LOW	HIGH	+0.7	+0.7	-0.7	+0.7
OPEN	LOW	+0.7	+0.7	-0.7	-0.7

Table 7. Channel flat gain control using FG1 and FG2 pins ...continued

FG2	FG1	Flat gain in dB of individual channels - I ² C offset register 0x03, bits [3:0]			
		Ch0	Ch1	Ch2	Ch3
OPEN	OPEN	+0.7	-0.7	+0.7	+0.7
OPEN	HIGH	+0.7	-0.7	-0.7	+0.7
HIGH	LOW	-0.7	+0.7	+0.7	+0.7
HIGH	OPEN	-0.7	-0.7	+0.7	+0.7
HIGH	HIGH	-0.7	-0.7	-0.7	-0.7

7.2.3 I²C configurability

PTN3944 has an I²C register interface that enables system integrator to program register settings suitable as per application needs. After power on reset, the device reads the ADDR1 and ADDR2 pins for determining the I²C Slave Address. PTN3944 provides up to eight I²C Slave address combinations based on Quaternary (ADDR1) and Binary (ADDR2) pin settings, and they are summarized in [Table 8](#).

Table 8. I²C slave address options

ADDR4	ADDR3	ADDR2	ADDR1	7-Bit I ² C Slave Address	Address (Hex)
Pin state	Pin state	Pin state	Pin state		
LOW	LOW	LOW	Connected to 1.8 V directly	0100011	0x23
LOW	LOW	LOW	Connected to 1.8 V with 56 kΩ (±10%) pull-up resistor	0100010	0x22
LOW	LOW	LOW	Connected to 1.8 V with 200 kΩ (±10%) pull-up resistor	0100001	0x21
LOW	LOW	LOW	Connected to GND directly	0100000	0x20
LOW	LOW	HIGH	Connected to 1.8 V directly	0101011	0x2B
LOW	LOW	HIGH	Connected to 1.8 V with 56 kΩ (±10%) pull-up resistor	0101010	0x2A
LOW	LOW	HIGH	Connected to 1.8 V with 200 kΩ (±10%) pull-up resistor	0101001	0x29
LOW	LOW	HIGH	Connected to GND directly	0101000	0x28
LOW	HIGH	LOW	Connected to 1.8 V directly	0110011	0x33
LOW	HIGH	LOW	Connected to 1.8 V with 56 kΩ (±10%) pull-up resistor	0110010	0x32
LOW	HIGH	LOW	Connected to 1.8 V with 200 kΩ (±10%) pull-up resistor	0110001	0x31
LOW	HIGH	LOW	Connected to GND directly	0110000	0x30
LOW	HIGH	HIGH	Connected to 1.8 V directly	0111011	0x3B
LOW	HIGH	HIGH	Connected to 1.8 V with 56 kΩ (±10%) pull-up resistor	0111010	0x3A
LOW	HIGH	HIGH	Connected to 1.8 V with 200 kΩ (±10%) pull-up resistor	0111001	0x39
LOW	HIGH	HIGH	Connected to GND directly	0111000	0x38
HIGH	LOW	LOW	Connected to 1.8 V directly	1100011	0x63
HIGH	LOW	LOW	Connected to 1.8 V with 56 kΩ (±10%) pull-up resistor	1100010	0x62
HIGH	LOW	LOW	Connected to 1.8 V with 200 kΩ (±10%) pull-up resistor	1100001	0x61
HIGH	LOW	LOW	Connected to GND directly	1100000	0x60
HIGH	LOW	HIGH	Connected to 1.8 V directly	1101011	0x6B

Table 8. I²C slave address options...continued

ADDR4	ADDR3	ADDR2	ADDR1	7-Bit I ² C Slave Address	Address (Hex)
Pin state	Pin state	Pin state	Pin state		
HIGH	LOW	HIGH	Connected to 1.8 V with 56 kΩ (±10%) pull-up resistor	1101010	0x6A
HIGH	LOW	HIGH	Connected to 1.8 V with 200 kΩ (±10%) pull-up resistor	1101001	0x69
HIGH	LOW	HIGH	Connected to GND directly	1101000	0x68
HIGH	HIGH	LOW	Connected to 1.8 V directly	1110011	0x73 ^[1]
HIGH	HIGH	LOW	Connected to 1.8 V with 56 kΩ (±10%) pull-up resistor	1110010	0x72 ^[1]
HIGH	HIGH	LOW	Connected to 1.8 V with 200 kΩ (±10%) pull-up resistor	1110001	0x71 ^[1]
HIGH	HIGH	LOW	Connected to GND directly	1110000	0x70 ^[1]
HIGH	HIGH	HIGH	Connected to 1.8 V directly	1111011	0x7B ^[1]
HIGH	HIGH	HIGH	Connected to 1.8 V with 56 kΩ (±10%) pull-up resistor	1111010	0x7A ^[1]
HIGH	HIGH	HIGH	Connected to 1.8 V with 200 kΩ (±10%) pull-up resistor	1111001	0x79 ^[1]
HIGH	HIGH	HIGH	Connected to GND directly	1111000	0x78 ^[1]

[1] Reserved I²C address, not recommended for use.

7.2.4 I²C registers

The system integrator must program the registers of the device for proper operation. Further, it is expected that the system integrator performs I²C configuration after power-on and before data transport is initiated over the link. If such an operation is attempted during normal operation, the device may not behave as specified.

Table 9. I²C registers and description

Register offset	Register name	Bits	POR default value	Description
0x00 Read Only	Chip ID	7:0	b'00001111	Chip ID Number
0x01 Read Only	Chip Revision	7:4	b'1010	Chip base layer version
		3:0	b'0001	Chip metal layer version
0x02	Reserved	7:0	b'0000 0000	

Table 9. I²C registers and description...continued

Register offset	Register name	Bits	POR default value	Description
0x03	Flat gain control			Flat gain control setting for each high speed data channel. The flat gain is specified at 100 MHz
		7:6	b'00	Reserved
		5	b'0	Always set to 0
		4	b'0	Always set to 0
		3	based on FG1/FG2	Channel 0 flat gain control 0 = flat gain of +0.7 dB 1 = flat gain of -0.7 dB
		2	based on FG1/FG2	Channel 1 flat gain control 0 = flat gain of +0.7 dB 1 = flat gain of -0.7 dB
		1	based on FG1/FG2	Channel 2 flat gain control 0 = flat gain of +0.7 dB 1 = flat gain of -0.7 dB
		0	based on FG1/FG2	Channel 3 flat gain control 0 = flat gain of +0.7 dB 1 = flat gain of -0.7 dB
0x04 Read/Write	PCIe operation	7:3	b'00000	Always set to 0
		2:0	b' 011	000 = Enforce part to go into deep power saving state 011 = Enforce part to be active
0x05 Read/Write	Device reset	7:1	b'0001010	Reserved
		0	b'0	Device Reset bit. This is a self-clearing bit, and reading this register will always return 0. <ul style="list-style-type: none"> Writing a '1' to this register will soft reset the device including I²C register contents and internal digital logic states, while the chip continuing to operate under I²C mode. After soft reset, chip will be in deep power saving state. Writing a '0' does not have any effect.
0x06 Read/Write	link control and status	7:5	b'000	Reserved
		4	b'0	Always set to 0
		3:2	b'11	Operating channel count <ul style="list-style-type: none"> 0: None 1: one channel 2: two channels 3: four channels
		1:0	b'00	Always set to 00
0x07 Read/Write	Channel 0 Control_1 Register	7:4	b'00	Reserved
		3:0	LCTL1, LCTL2	Channel 0 link Equalization gain. Refer to Peaking gain settings (Table 4 and Table 5) in Section 7.2.2 and for more details.

Table 9. I²C registers and description...continued

Register offset	Register name	Bits	POR default value	Description
0x08 Read/Write	Channel 0 Control_2 Register	7:2	b'0000 00	Reserved
		1:0	LCTL3	Channel 0 output signal swing linearity (-1 dB compression point) <ul style="list-style-type: none"> • 0: 500 mV_{ppd} • 1: 650 mV_{ppd} • 2: 800 mV_{ppd} • 3: 950 mV_{ppd}
0x09 Read/Write	Channel 1 Control_1 Register	7:4	b'0000	Reserved
		3:0	LCTL1, LCTL2	Channel 1 link Equalization gain. Refer to Peaking gain settings (Table 4 and Table 5) in Section 7.2.2 for more details.
0x0A Read/Write	Channel 1 Control_2 Register	7:2	b'0000 00	Reserved
		1:0	LCTL3	Channel 1 output signal swing linearity (-1 dB compression point) <ul style="list-style-type: none"> • 0: 500 mV_{ppd} • 1: 650 mV_{ppd} • 2: 800 mV_{ppd} • 3: 950 mV_{ppd}
0x0B Read/Write	Channel 2 Control_1 Register	7:4	b'0000	Reserved
		3:0	LCTL1, LCTL2	Channel 2 link Equalization gain. Refer to Peaking gain settings (Table 4 and Table 5) in Section 7.2.2 for more details.
0x0C Read/Write	Channel 2 Control_2 Register	7:2	b'0000 00	Reserved
		1:0	LCTL3	channel 2 output signal swing linearity (-1 dB compression point) <ul style="list-style-type: none"> • 0: 500 mV_{ppd} • 1: 650 mV_{ppd} • 2: 800 mV_{ppd} • 3: 950 mV_{ppd}
0x0D Read/Write	Channel 3 Control_1 Register	7:4	b'0000	Reserved
		3:0	LCTL1, LCTL2	Channel 3 link Equalization gain. Refer to Peaking gain settings (Table 4 and Table 5) in Section 7.2.2 for more details.
0x0E Read/Write	Channel 3 Control_2 Register	7:2	b'0000 00	Reserved
		1:0	LCTL3	channel 3 output signal swing linearity (-1 dB compression point) <ul style="list-style-type: none"> • 0: 500 mV_{ppd} • 1: 650 mV_{ppd} • 2: 800 mV_{ppd} • 3: 950 mV_{ppd}
0x0F to 0x18	Reserved	7:0	b'0000 0000	Always set to 0
0x19 to 0xFF	Reserved			Reserved for NXP Internal use only; Do not write to these registers

7.2.5 I²C read/write operations

PTN3944 supports programming of the registers through the I²C interface. Reading/writing the registers must be done according to protocols defined in UM10204[2].

PTN3944 supports programming of the registers through the I²C interface. Reading/writing the registers must be done according to the following sequences.

The read sequence contains two phases:

- Command phase
- Data phase

7.2.5.1 Single byte register reads/writes

The command phase is an I²C write to PTN3944 that contains a single data byte. The LS bit indicates if the command that is being executed will read or write data from/to the device. The other 7 bits are the device slave address. The single data byte followed is the register offset that is used to indicate which register address is being accessed (read or written). The data phase is a second I²C transaction that starts with 7-bit slave address, with LS bit set to 1 indicating a read operation, followed by an 8-bit data read back from the device register address.

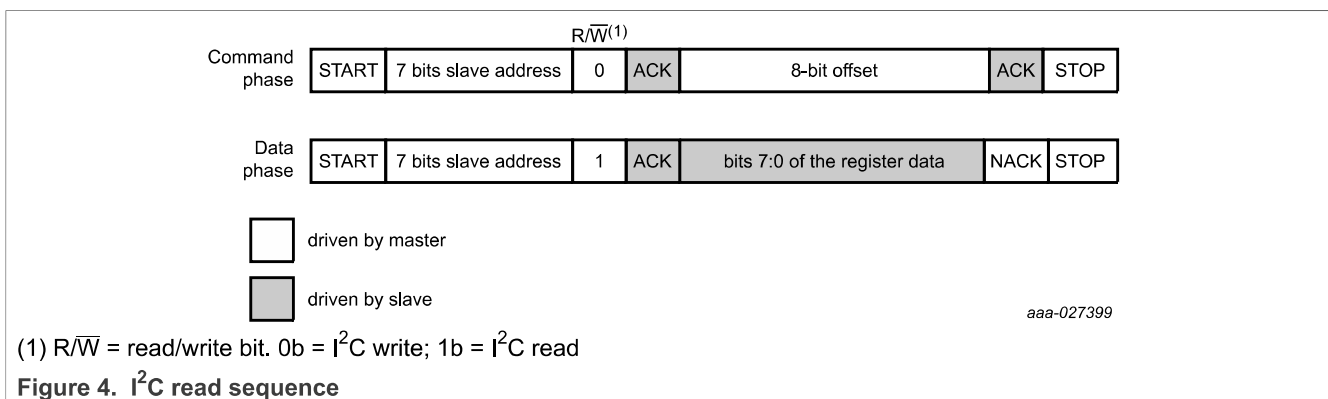
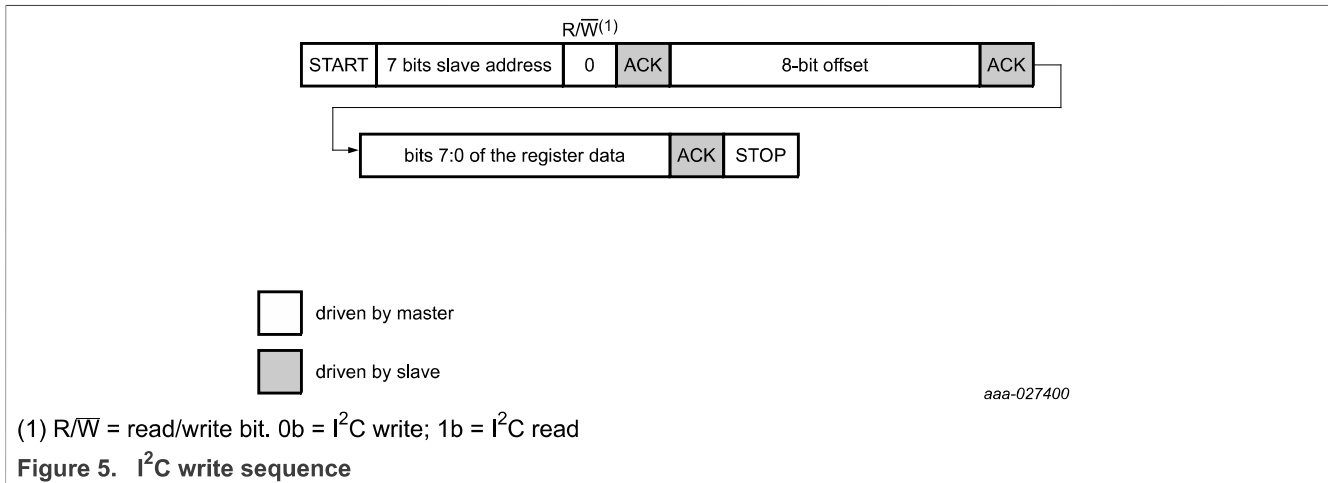


Figure 4. I²C read sequence

The write sequence starts with 7-bit slave address, with LS bit set to 0 indicating a write access. The next byte is the register offset that is used to indicate which device register address is being written to. The last byte is the 8-bit register data that will be written to the device register address.



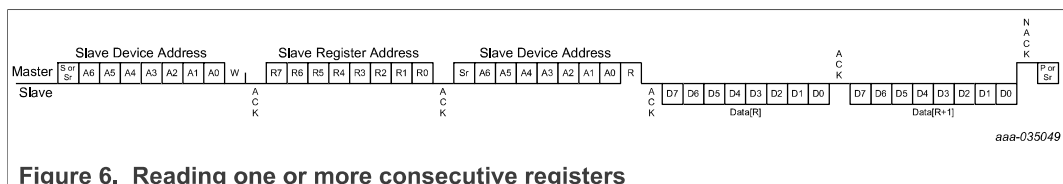
7.2.5.2 Multi-byte register reads/writes

Reading one or more registers

The slave recognizes the following procedure as a request to read one or more registers:

1. Master asserts START condition or repeated-START condition
2. Master addresses PTN3944's slave address with R/W bit set as "Write"
3. Slave acknowledges the request by asserting ACK
4. Master writes the desired starting register address
5. Slave acknowledges the register address with ACK, even if the register address is not part of the defined register map
6. Master issues a repeated-START condition
7. Master addresses PTN3944's slave address with R/W bit set as "Read"
8. In the following clock pulses, the slave clocks out the value of the requested register
9. If master wishes to read the next consecutive register, it issues an ACK and then provides another set of clock pulses, whereby the slave supplies the value of the next register. As long as the master continues to issue ACK and supplies additional clock pulses, the slave continues to supply the value of consecutive registers. If the master attempts to read consecutive registers that do not exist in the defined register space the slave returns undefined data value of 0xFF
10. When the master does not wish to read additional consecutive registers, it supplies a NACK in response to the final register value it wishes to read and then issues a STOP or repeated-START condition.

Figure 6 provides an illustrative example where the master chooses to read from two consecutive registers starting with register "R".



Writing one or more registers

The slave recognizes the following procedure as a request to write to one or more registers.

8 Limiting values

Stresses beyond those listed under absolute maximum ratings may cause permanent damage to the device. These are stress ratings only and functional operation of the device at these or any conditions beyond those indicated under recommended operating conditions is not implied. Exposure to absolute-maximum-rated conditions for extended periods may affect device reliability.

In accordance with the Absolute Maximum Rating System (IEC 60134).

Table 10. Limiting values

Symbol	Parameter	Conditions	Min	Typ	Max	Unit	Unique Identifier
$V_{DD}^{[1]}$	Supply voltage	1.8 V digital supply voltage	-0.5		+2.2	V	LTC-VOL-PRIO1-001
$V_{CCXX}^{[1]}$	Supply voltage for high-speed lanes	VCCA, VCCB, VCCC, VCCD	-0.5		+2.2	V	LTC-VOL-PRIO1-002
$V_I^{[1]}$	Input voltage	SCL, SDA, LCTL1, LCTL2, LCTL3, FG1, FG2, ADDR1, ADDR2, ADDR3, and ADDR4 pins	-0.5		+3.6	V	LTC-VOL-PRIO1-005
		High-speed pins	-0.5		+2.5	V	LTC-VOL-PRIO1-006
T_{stg}	Storage temperature		-65		+150	°C	LTC-TMP-PRIO1-007
V_{esd}	Electro Static Discharge	HBM ^[2] for High-speed	1500			V	LTC-VOL-PRIO1-008
		HBM for other control pins	1500			V	LTC-VOL-PRIO1-009
		CDM ^[3] for High-speed	1000			V	LTC-VOL-PRIO1-010
		CDM for other control pins	1000			V	LTC-VOL-PRIO1-011
$R_{th(j-a)}$	Thermal resistance from junction to ambient environment	JEDEC still air test environment		40.6		°C/W	LTC-RES-PRIO2-012
$R_{th(j-c)}$	Thermal resistance from junction to case			16.8		°C/W	LTC-RES-PRIO2-013
$R_{th(j-b)}$	Thermal resistance from junction to board	FR4 PCB material and with center pad soldered with recommended solder pad structure		19.7		°C/W	LTC-RES-PRIO2-014

[1] All voltage values, except differential voltages, are with respect to network ground terminal.

[2] Human Body Model: ANSI/EOS/ESD-S5.1-1994, standard for ESD sensitivity testing, Human Body Model – Component level; Electrostatic Discharge Association, Rome, NY, USA.

[3] Charged Device Model: ANSI/EOS/ESD-S5.3-1-1999, standard for ESD sensitivity testing, Charged Device Model – Component level; Electrostatic Discharge Association, Rome, NY, USA

9 Recommended operating conditions

Over operating free-air temperature range (unless otherwise noted). Typical values are specified for 1.8 V and 25 °C operating temperature.

Table 11. Operating conditions

Symbol	Parameter	Conditions	Min	Typ	Max	Unit	Unique Identifier
V _{DD}	Supply voltage	1.8 V Digital Supply voltage	1.7	1.8	1.9	V	ROC-VOL-PRIO1-001
V _{CC}	Supply voltage for high-speed lanes	VCCA, VCCB, VCC, VCCD	1.7	1.8	1.9	V	ROC-VOL-PRIO1-002
V _I	Input voltage	SCL, SDA, LCTL1, LCTL2, LCTL3, FG1 and FG2 pins	-0.3		+3.6	V	ROC-VOL-PRIO1-003
		ADDR1, ADDR2, ADDR3, and ADDR4 pins	-0.3		V _{DD}	V	ROC-VOL-PRIO1-004
		High-speed Data pins	-0.3		V _{CC} +0.3	V	ROC-VOL-PRIO1-005
V _{SYS}	Power supply voltage for GPIO control signals		1.7		3.6	V	ROC-VOL-PRIO1-006
	Power supply voltage for I ² C signals		1.08		3.6	V	ROC-VOL-PRIO1-007
T _{amb}	Ambient temperature	Operating in free air	-20	-	+85	°C	ROC-TMP-PRIO1-008

10 Characteristics

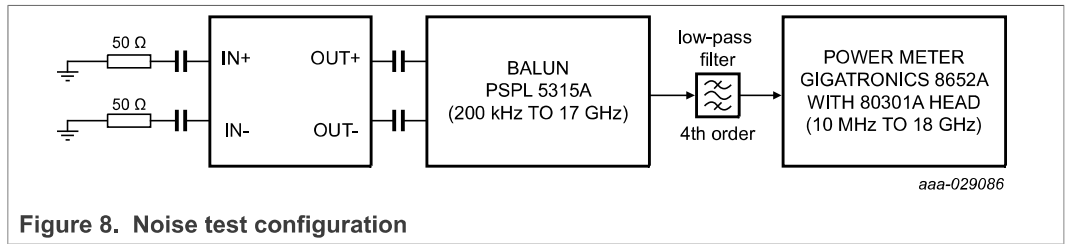
10.1 Device characteristics

Table 12. Device characteristics

Symbol	Parameter	Conditions	Min	Typ	Max	Unit	Unique Identifier
V _{GND_VCC} noise	Noise voltage from DUT (50 Hz to 1 MHz) GND noise/bounce with VCC as the reference point	DUT only and No bypass cap during testing Test recommendations: Battery powered DUT with VCC pin as the reference power plan and measure the GND pin ground bounce. Measured by power rail probe.		18		mV _{pp}	DEV-VOL-PRIO2-001
	Noise voltage (1 MHz to 10 MHz)			18		mV _{pp}	DEV-VOL-PRIO2-002
	Noise voltage (10 MHz to 5 GHz)				10	mV _{pp}	DEV-VOL-PRIO1-003
CMRR	Common Mode Rejection Ratio $\Delta(V_{cm,rx})/\Delta(V_{out_diff})$	10 MHz to 1 GHz		30		dB	DEV-DB-PRIO2-004
PSRR	Power Supply Rejection Ratio $\Delta(V_{CC})/\Delta(V_{out_diff})$	10 MHz to 200 MHz		41		dB	DEV-DB-PRIO2-005
t _{Startup}	Start-up time	Between supply voltage exceeding 1.4 V until sampling of channel configuration control pins	-		3	ms	DEV-TIM-PRIO1-006
t _{PD}	Differential Propagation Delay	Differential propagation delay between 50 % level at input and output pins		70	90	ps	DEV-TIM-PRIO1-011
G _p	Peaking gain (compensation at 8 GHz, with respect to gain at 10 MHz; sinusoidal input of 100 mV _{ppd})	LCTL[2:1] = Open; Open; (Table 5)		18.3		dB	DEV-DB-PRIO2-075
G _{p,var}	Peaking gain variation over G _p at 8 GHz		-1.5		+1.5	dB	DEV-DB-PRIO1-076
G _f	Flat gain at 10 MHz	Flat gain disabled (Table 7)		-0.7		dB	DEV-DB-PRIO2-077
		Flat gain enabled (Table 7)		+0.7		dB	DEV-DB-PRIO2-078
G _{f,var}	Flat gain variation over G _f at 10 MHz		-1.2	-	+1.2	dB	DEV-DB-PRIO1-079
OLS _{10M}	-1 dB compression point of output linear swing at 10 MHz	LCTL3 = I ² C (based on I ² C register settings)		504		mV _{pp}	DEV-VOL-PRIO2-080
		LCTL3 = Open (Table 6)		646		mV _{pp}	DEV-VOL-PRIO2-081
		LCTL3 = 0 (Table 6)		810		mV _{pp}	DEV-VOL-PRIO2-082
		LCTL3 = 1 (Table 6)		923		mV _{pp}	DEV-VOL-PRIO2-083
OLS _{4G}	-1 dB compression point of output linear swing at 4 GHz	LCTL3 = I ² C (based on I ² C register settings)		458		mV _{pp}	DEV-VOL-PRIO2-084
		LCTL3 = Open (Table 6)		613		mV _{pp}	DEV-VOL-PRIO2-085
		LCTL3 = 0 (Table 6)		754		mV _{pp}	DEV-VOL-PRIO2-086
		LCTL3 = 1 (Table 6)		917		mV _{pp}	DEV-VOL-PRIO2-087
OLS _{8G}	-1 dB compression point of output linear swing at 8 GHz	LCTL3 = I ² C (based on I ² C register settings)		560		mV _{pp}	DEV-VOL-PRIO2-088
		LCTL3 = Open (Table 6)		712		mV _{pp}	DEV-VOL-PRIO2-089

Table 12. Device characteristics...continued

Symbol	Parameter	Conditions	Min	Typ	Max	Unit	Unique Identifier
		LCTL3 = 0 (Table 6)		860		mV _{pp}	DEV-VOL-PRIO2-090
		LCTL3 = 1 (Table 6)		1014		mV _{pp}	DEV-VOL-PRIO2-091
V _{noise_in}	Input referred noise	100 MHz to 15 GHz; Peaking gain of 8.4 dB (FGx = -0.7 dB) at 8 GHz and OLS 950 mV _{ppd}		0.8		mV _{rms}	DEV-VOL-PRIO2-035
		100 MHz to 15 GHz; Peaking gain of 14.7 dB (FGx = -0.7 dB) at 8 GHz and OLS 950 mV _{ppd}		1.0		mV _{rms}	DEV-VOL-PRIO2-036
V _{noise_out}	Output referred noise	100 MHz to 15 GHz; Peaking gain of 8.5 dB (FGx = -0.7 dB) at 8 GHz and OLS 950 mV _{ppd}		2.0		mV _{rms}	DEV-VOL-PRIO2-037
		100 MHz to 15 GHz; Peaking gain of 15.6 dB (FGx = -0.7 dB) at 8 GHz and OLS 950 mV _{ppd}		2.0		mV _{rms}	DEV-VOL-PRIO2-038
I _{DD}	Supply current All four channels are active	-1 dB compression point at 950 mV _{ppd}		250	270	mA	DEV-CUR-PRIO1-044
		-1 dB compression point at 800 mV _{ppd}		225	260	mA	DEV-CUR-PRIO1-045
		-1 dB compression point at 650 mV _{ppd}		200	240	mA	DEV-CUR-PRIO1-046
		-1 dB compression point at 500 mV _{ppd}		190	230	mA	DEV-CUR-PRIO1-047
	Supply current two channels are active	-1 dB compression point at 950 mV _{ppd}		125	140	mA	DEV-CUR-PRIO1-048
		-1 dB compression point at 800 mV _{ppd}		110	130	mA	DEV-CUR-PRIO1-049
		-1 dB compression point at 650 mV _{ppd}		115	120	mA	DEV-CUR-PRIO1-050
		-1 dB compression point at 500 mV _{ppd}		100	120	mA	DEV-CUR-PRIO1-051
	Supply current One channel is active	-1 dB compression point at 950 mV _{ppd}		62	75	mA	DEV-CUR-PRIO1-052
		-1 dB compression point at 800 mV _{ppd}		57	70	mA	DEV-CUR-PRIO1-053
		-1 dB compression point at 650 mV _{ppd}		52	65	mA	DEV-CUR-PRIO1-054
		-1 dB compression point at 500 mV _{ppd}		47	60	mA	DEV-CUR-PRIO1-055
DDNEXT	Near end cross talk for adjacent high-speed channels	at 8 GHz		-60		dB	DEV-DB-PRIO2-092
DDFEXT	Far end cross talk	at 8 GHz highest peaking gain			-50	dB	DEV-DB-PRIO2-093



10.2 Input AC/DC characteristics

Table 13. Input AC/DC characteristics

Symbol	Parameter	Conditions	Min	Typ	Max	Unit	Unique Identifier
C _{ac_coupling}	AC coupling capacitance		176		265	nF	INC-CAP-PRIO1-016
T _{Discharge}	Discharge time				250	ms	INC-TIM-PRIO1-003
R _{in-DC}	Input DC common mode impedance		21		34	Ω	INC-RES-PRIO1-004
V _{RX-CM-AC-PP}	RX AC common mode voltage tolerance	A single tone test at 120 MHz is deemed to be an adequate stress test			300	mV _{pp}	INC-VOL-PRIO1-005
V _{RX-CM-PP1}	RX AC common mode voltage tolerance	A single tone test at 400 MHz is deemed to be an adequate stress test			100	mV _{pp}	INC-VOL-PRIO1-006
R _{IN-DIFF-DC}	DC Differential Impedance		90		131	Ω	INC-RES-PRIO1-007
V _{IP-DC-CM}	DC biasing/common mode voltage	Biasing on all SuperSpeed pins		1.8		V	INC-VOL-PRIO2-008
V _{voltage_jump}	Maximum voltage jump on left side pins (measured before AC coupling capacitors)	Applicable during power-on/power-off, transition from low power to active state and vice versa	-0.3		+1.0	V	INC-VOL-PRIO1-009
Z _{IN-HIGH-IMP-DC-POS}	DC Input High Impedance; V _{DD} > 0 during Reset or power down	DC common-mode input impedance when output of redriver is not terminated and V _{DD} between 1.7 V and 1.9 V.	10			kΩ	INC-RES-PRIO1-010
V _{RX-DIFF-PP}	Input voltage (peak to peak differential signal)		45		1200	mV _{ppd}	INC-VOL-PRIO1-012
RL _{DD11, IN}	Input differential mode Return Loss	10 MHz to 12 GHz		15		dB	INC-DB-PRIO2-014
RL _{CC11, IN}	Input common mode Return Loss	10 MHz to 12 GHz		12		dB	INC-DB-PRIO2-015

10.3 Output AC/DC characteristics

Table 14. Output AC/DC characteristics

Symbol	Parameter	Conditions	Min	Typ	Max	Unit	Unique Identifier
R _{OP-DC}	Output DC common mode Impedance		21		34	Ω	OUC-RES-PRIO1-001
R _{OP-DIFF-DC}	Output Differential Impedance		89		131	Ω	OUC-RES-PRIO1-002
V _{OP-DC-CM}	DC biasing/common mode voltage	1 dB Compression point at 950 mV		1.2		V	OUC-VOL-PRIO2-003
		1 dB Compression point at 800 mV		1.3		V	OUC-VOL-PRIO2-004
		1 dB Compression point at 650 mV		1.4		V	OUC-VOL-PRIO2-005
		1 dB Compression point at 500 mV		1.5		V	OUC-VOL-PRIO2-006
V _{TX-CM-AC-PP_ACTIVE}	Output AC Common mode output voltage in active state	Device input fed with differential signal			20	mV _{pp}	OUC-VOL-PRIO1-007
V _{TX-IDLE-DIFF-AC-pp}	Output AC differential output voltage	When link is in electrical idle			10	mV _{ppd}	OUC-VOL-PRIO1-008
V _{voltage_jump}	Maximum voltage jump on right side pins (measured after AC coupling capacitors)	Applicable during power-on/power-off, transition from low power to active state and vice versa	-0.3		1.0	V	OUC-VOL-PRIO1-009
V _{DETECT}	Voltage change allowed during USB receiver detection	Positive voltage swing to sense the receiver termination detection			600	mV	OUC-VOL-PRIO1-010
RL _{DD11, OP}	Output differential mode Return Loss	10 MHz to 12 GHz		18		dB	OUC-DB-PRIO2-011
RL _{CC11, OP}	Output common mode Return Loss	10 MHz to 12 GHz		12		dB	OUC-DB-PRIO2-012

All S-parameter measurements are with respect to 100 Ω differential impedance reference and 50 Ω single-ended impedance reference.

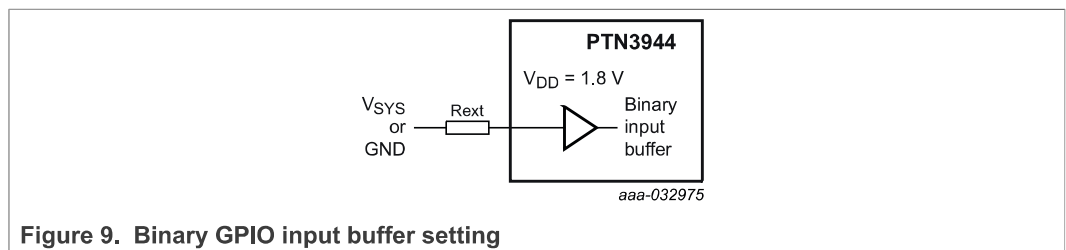


Figure 9. Binary GPIO input buffer setting

10.4 Ternary control characteristics for LCTL[1, 2, 3] and FG[2:1] pins

Table 15. Ternary control input characteristics (external system voltage $V_{SYS} = 1.7\text{ V to }3.6\text{ V}$)

Symbol	Parameter	Conditions	Min	Typ	Max	Unit	Unique Identifier
V_{IH}	High level voltage	External pull-up 1 k Ω resistor to V_{SYS}	$0.8 \cdot V_{DD}$		V_{SYS}	V	TER-VOL-PRIO1-001
V_{IM}	Unconnected or open condition		$0.35 \cdot V_{DD}$		$0.45 \cdot V_{DD}$	V	TER-VOL-PRIO1-002
V_{IL}	Low level voltage	External pull-down 1 k Ω resistor to GND			$0.15 \cdot V_{DD}$	V	TER-VOL-PRIO1-003
I_{IL}	Leakage current when pin is not active	$V_{DD} = 1.8\text{ V}$, pull-up resistor connected to $V_{SYS} = 3.6\text{ V}$			15	μA	TER-CUR-PRIO1-004
		$V_{DD} = 1.8\text{ V}$, pull-up resistor connected to $V_{SYS} = 1.8\text{ V}$			1	μA	TER-CUR-PRIO1-005
	Leakage current when pin is active	$V_{DD} = 1.8\text{ V}$, pull-up resistor connected to $V_{SYS} = 3.6\text{ V}$			80	μA	TER-CUR-PRIO1-006
		$V_{DD} = 1.8\text{ V}$, pull-up resistor connected to $V_{SYS} = 1.8\text{ V}$	-25		35	μA	TER-CUR-PRIO1-007
I_{bck}	Back current sunk from pin to powered down supply	$V_{DD} = 0$, $V_{SYS} = 3.6\text{ V}$			20	μA	TER-CUR-PRIO1-008
R_{pu}	Internal pull-up resistance			120		k Ω	TER-RES-PRIO2-009
R_{pd}	Internal pull-down resistance			80		k Ω	TER-RES-PRIO2-010
C_{pin}	Maximum allowed capacitance at the pin				10	pF	TER-CAP-PRIO1-011

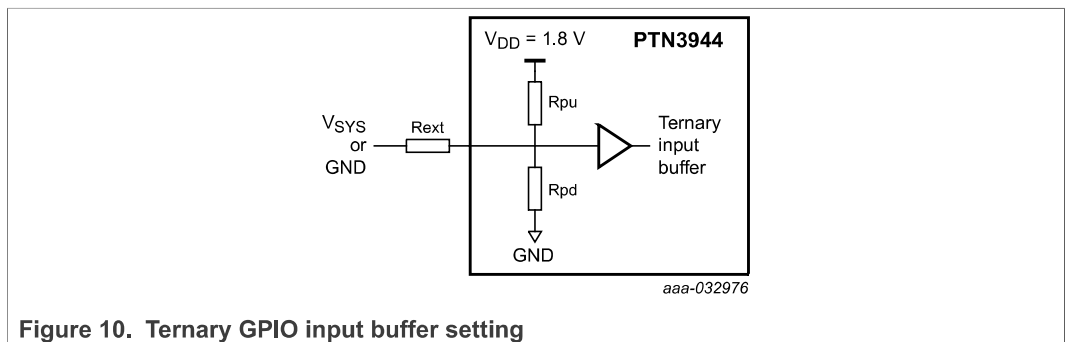


Figure 10. Ternary GPIO input buffer setting

10.5 Binary control characteristics ADDR2, ADDR3, and ADDR4 pins

Table 16. Binary control characteristics ADDR2, ADDR3, and ADDR4 pins (external system voltage $V_{SYS} = 1.7\text{ V}$ to 3.6 V)

Symbol	Parameter	Conditions	Min	Typ	Max	Unit	Unique Identifier
V_{IH}	High level voltage	ADDR3, ADDR4	$0.7 \cdot V_{DD}$	-	V_{SYS}	V	BIN-VOL-PRIO1-001
		ADDR2	$0.7 \cdot V_{DD}$	-	V_{SYS}	V	BIN-VOL-PRIO1-003
V_{IL}	Low level voltage	ADDR3, ADDR4			$0.3 \cdot V_{DD}$	V	BIN-VOL-PRIO1-002
		ADDR2			$0.22 \cdot V_{DD}$	v	BIN-VOL-PRIO1-004
I_{IL}	Leakage current		-1		+4	μA	BIN-CUR-PRIO1-007

10.6 Quaternary control characteristics for ADDR1 pin

Table 17. Quaternary control input characteristics

Symbol	Parameter	Conditions	Min	Typ	Max	Unit	Unique Identifier
V _{IH1}	High level voltage	Pin connected to V _{DD}	0.9*V _{DD}		V _{DD} +0.3	V	QAT-VOL-PRIO1-001
V _{IH2}	High level voltage	R _{ext} = 56 kΩ (10 % resistor) pull-up to V _{DD}	0.575*V _{DD}		0.725*V _{DD}	V	QAT-VOL-PRIO1-002
V _{IM}	Voltage at unconnected/ open condition	R _{ext} = 200 kΩ (10 % resistor) pull-up to V _{DD}	0.275*V _{DD}		0.425*V _{DD}	V	QAT-VOL-PRIO1-003
V _{IL}	Low level voltage	Pin connected to GND			0.1*V _{DD}	V	QAT-VOL-PRIO1-004
I _{IL}	Leakage current at the pin	Pin voltage = 3.6 V			20	μA	QAT-CUR-PRIO1-005
I _{bck}	Back current sunk from pin to powered down supply	V _{DD} = 0; Pin voltage = 3.6 V			20	μA	QAT-CUR-PRIO1-006
R _{pd}	Internal pull-down resistance			105		kΩ	QAT-RES-PRIO2-007
C _{pin}	Maximum allowed capacitance at the pin				10	pF	QAT-CAP-PRIO1-008

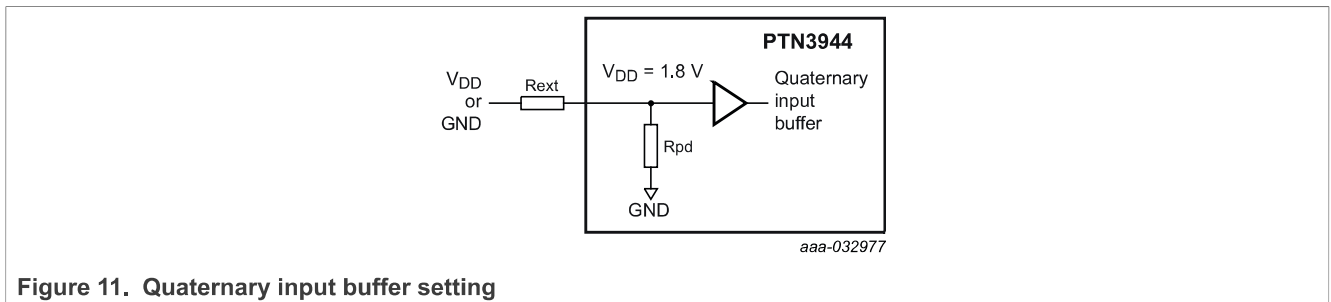


Figure 11. Quaternary input buffer setting

10.7 I²C AC/DC characteristicsTable 18. I²C interface; AC/DC characteristics for SCL and SDA pins

Symbol	Parameter	Conditions	Min	Typ	Max	Unit	Unique Identifier
F _{I2C}	I ² C Clock frequency		0		1000	kHz	SER-FRQ-PRIO1-001
V _{IH}	HIGH-level Input voltage		1.19		3.6	V	SER-VOL-PRIO1-002
V _{IL}	LOW-level Input voltage				0.57	V	SER-VOL-PRIO1-003
V _{hys}	Hysteresis of Schmitt trigger inputs	V _{pullup} < 3.6 V	0.095			V	SER-VOL-PRIO1-004
V _{OL}	LOW-level output voltage at 2mA sink current	V _{pullup} < 3.6 V	0		0.4	V	SER-VOL-PRIO1-005
I _{OL}	LOW-level output current	VOL =0.4 V; Standard and Fast modes	3			mA	SER-CUR-PRIO1-006
		VOL =0.4 V; Fast mode plus	20			mA	SER-CUR-PRIO1-007
		VOL =0.6 V; Fast mode	6			mA	SER-CUR-PRIO1-008
I _{IL}	LOW-level input current	Pin voltage - 0.1* V _{pullup} to 0.9*V _{pullup, max}	-10		10	μA	SER-CUR-PRIO1-009
C _I	Capacitance of I/O pin				10	pF	SER-CAP-PRIO1-010
t _{HD,STA}	Hold time (repeated) START condition	Fast mode plus; After this period, the first clock pulse is generated	0.26			μs	SER-TIM-PRIO1-011
t _{LOW}	LOW period of I ² C clock	Fast mode plus	0.5			μs	SER-TIM-PRIO1-012
t _{HIGH}	HIGH period of I ² C clock	Fast mode plus	0.26			μs	SER-TIM-PRIO1-013
T _{SU,STA}	Setup time (repeated) START condition	Fast mode plus	0.26			μs	SER-TIM-PRIO1-014
T _{HD,DAT}	Data Hold time	Fast mode plus	0			μs	SER-TIM-PRIO1-015
T _{SU,DAT}	Data Setup time	Fast mode plus	50			ns	SER-TIM-PRIO1-016
T _r	Rise time of I ² C_SCL and I ² C_SDA signals	Fast mode plus	-		120	ns	SER-TIM-PRIO1-017
T _f	Fall time of I ² C_SCL and I ² C_SDA signals	Fast mode plus	-		120	ns	SER-TIM-PRIO1-018
T _{SU,STO}	Setup time for STOP condition	Fast mode plus	0.26			μs	SER-TIM-PRIO1-019
t _{BUF}	Bus free time between STOP and START condition	Fast mode plus	0.5			μs	SER-TIM-PRIO1-020
t _{VD,DAT}	Data valid time	Fast mode plus			0.45	μs	SER-TIM-PRIO1-021
t _{VD,ACK}	Data valid acknowledge time	Fast mode plus			0.45	μs	SER-TIM-PRIO1-022
t _{SP}	Pulse width of spikes that must be suppressed by input filter		0		50	ns	SER-TIM-PRIO1-023

Note: V_{pullup} is external pull-up voltage on SCL and SDA pins. The voltage can be up to 3.3 V from another power supply.

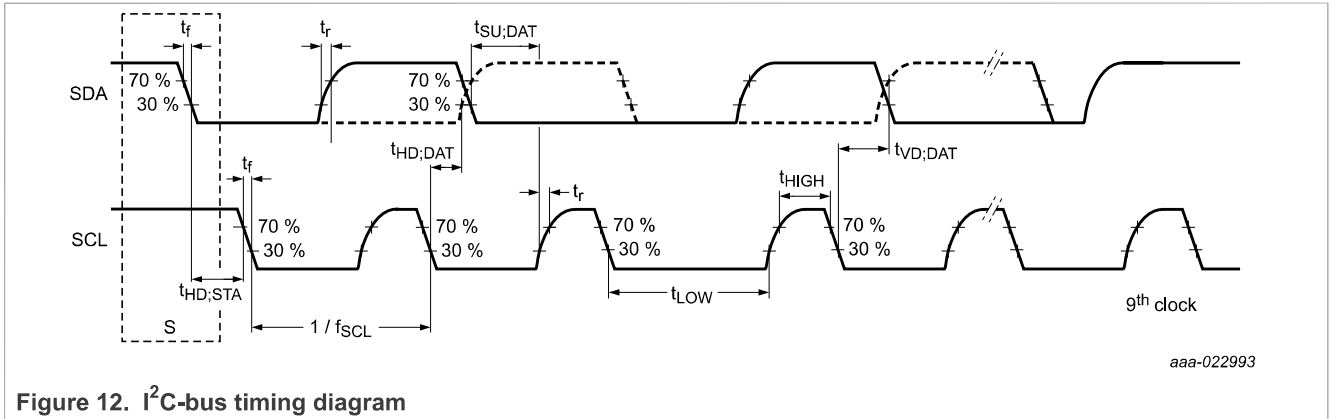
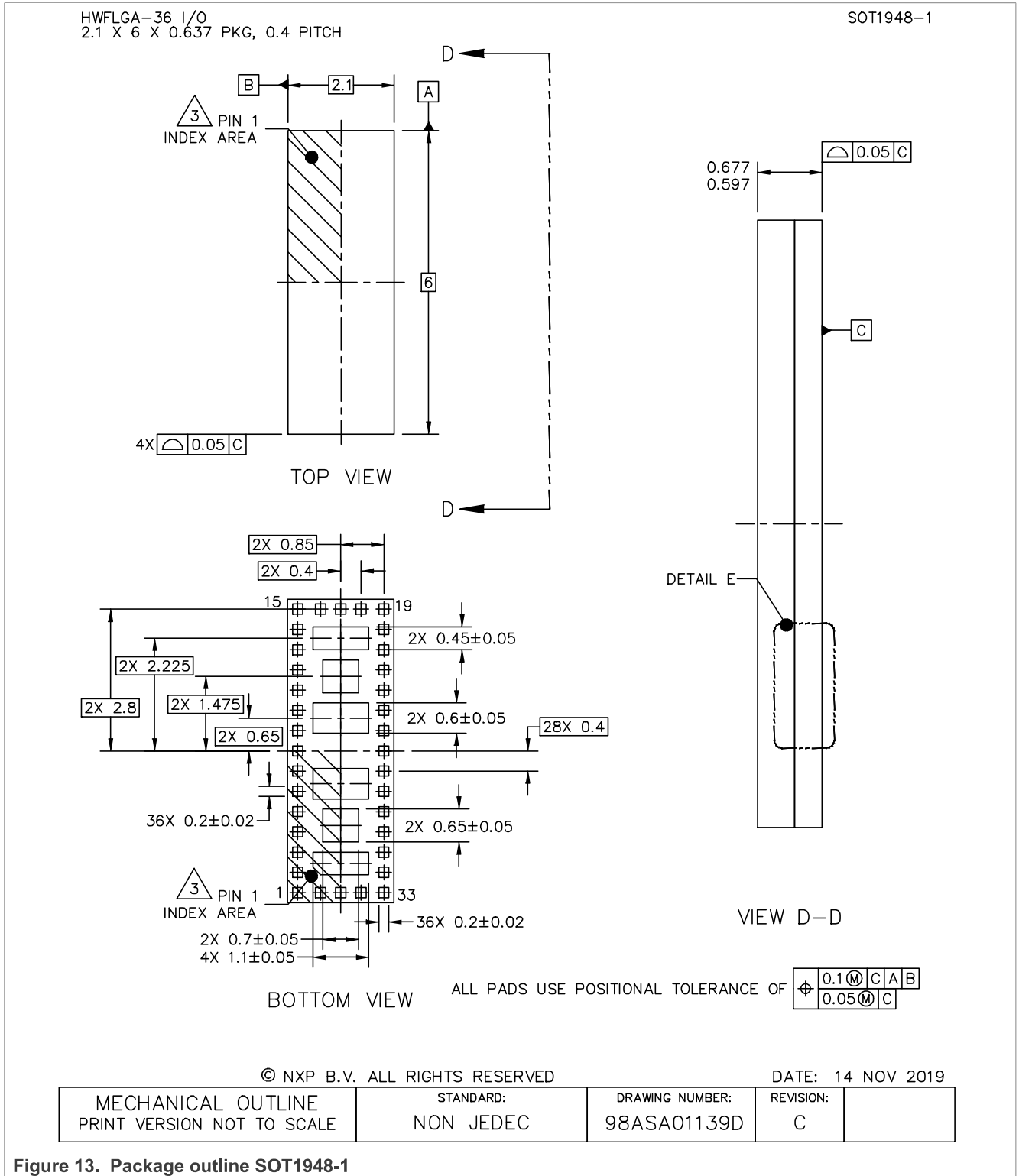


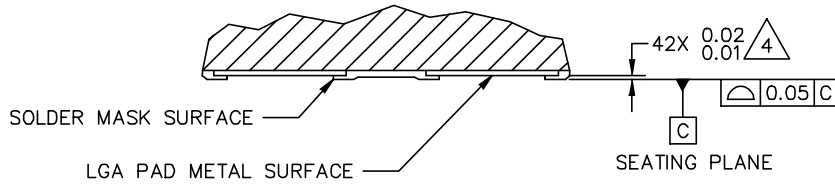
Figure 12. I²C-bus timing diagram

11 Package outline



HWFLGA-36 I/O
2.1 X 6 X 0.637 PKG, 0.4 PITCH

SOT1948-1



DETAIL E
VIEW ROTATED 90° CW

© NXP B.V. ALL RIGHTS RESERVED

DATE: 14 NOV 2019

MECHANICAL OUTLINE PRINT VERSION NOT TO SCALE	STANDARD: NON JEDEC	DRAWING NUMBER: 98ASA01139D	REVISION: C	
--	------------------------	--------------------------------	----------------	--

Figure 14. Package outline dt HWFLGA36 (SOT1948-1)

HWFLGA-36 I/O
2.1 X 6 X 0.637 PKG, 0.4 PITCH

SOT1948-1

NOTES:

1. ALL DIMENSIONS ARE IN MILLIMETERS.
2. DIMENSIONING AND TOLERANCING PER ASME Y14.5M-1994.

3. PIN 1 CONFIGURATION MAY VARY.

4. DIMENSION APPLIES TO ALL LEADS.

© NXP B.V. ALL RIGHTS RESERVED

DATE: 14 NOV 2019

MECHANICAL OUTLINE PRINT VERSION NOT TO SCALE	STANDARD: NON JEDEC	DRAWING NUMBER: 98ASA01139D	REVISION: C	
--	------------------------	--------------------------------	----------------	--

Figure 15. Package outline note HWFLGA36 (SOT1948-1)

12 Packing information

12.1 SOT1948-1; HWFLGA36; reel dry pack, SMD, 13" Q1 standard product orientation ordering code (12NC) ending 019

12.1.1 Dimensions and quantities

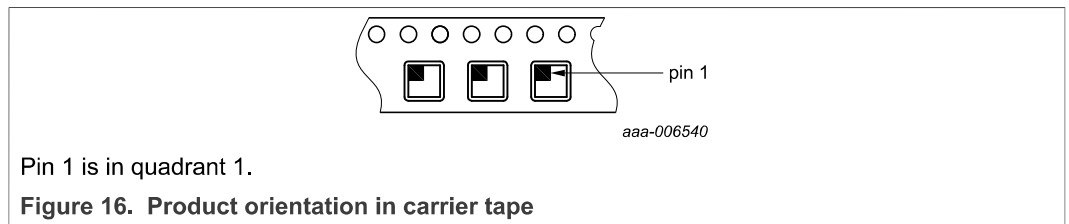
Table 19. Dimensions and quantities

Reel dimensions d × w (mm) ^[1]	SPQ/PQ (pcs) ^[2]	Reels per box
330 × 12	7000	1

[1] d = reel diameter; w = tape width.

[2] Packing quantity dependent on specific product type. View ordering and availability details at [NXP order portal](#), or contact your local NXP representative.

12.1.2 Product orientation



12.1.3 Carrier tape dimensions

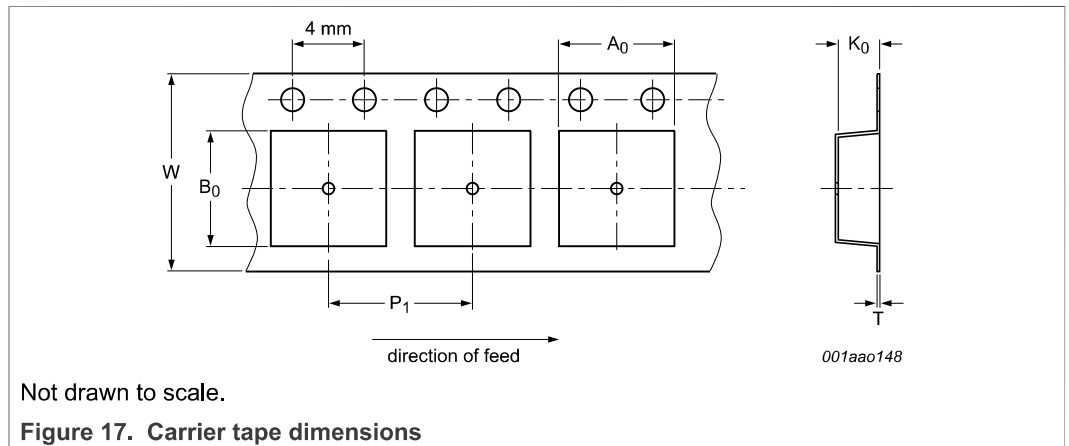
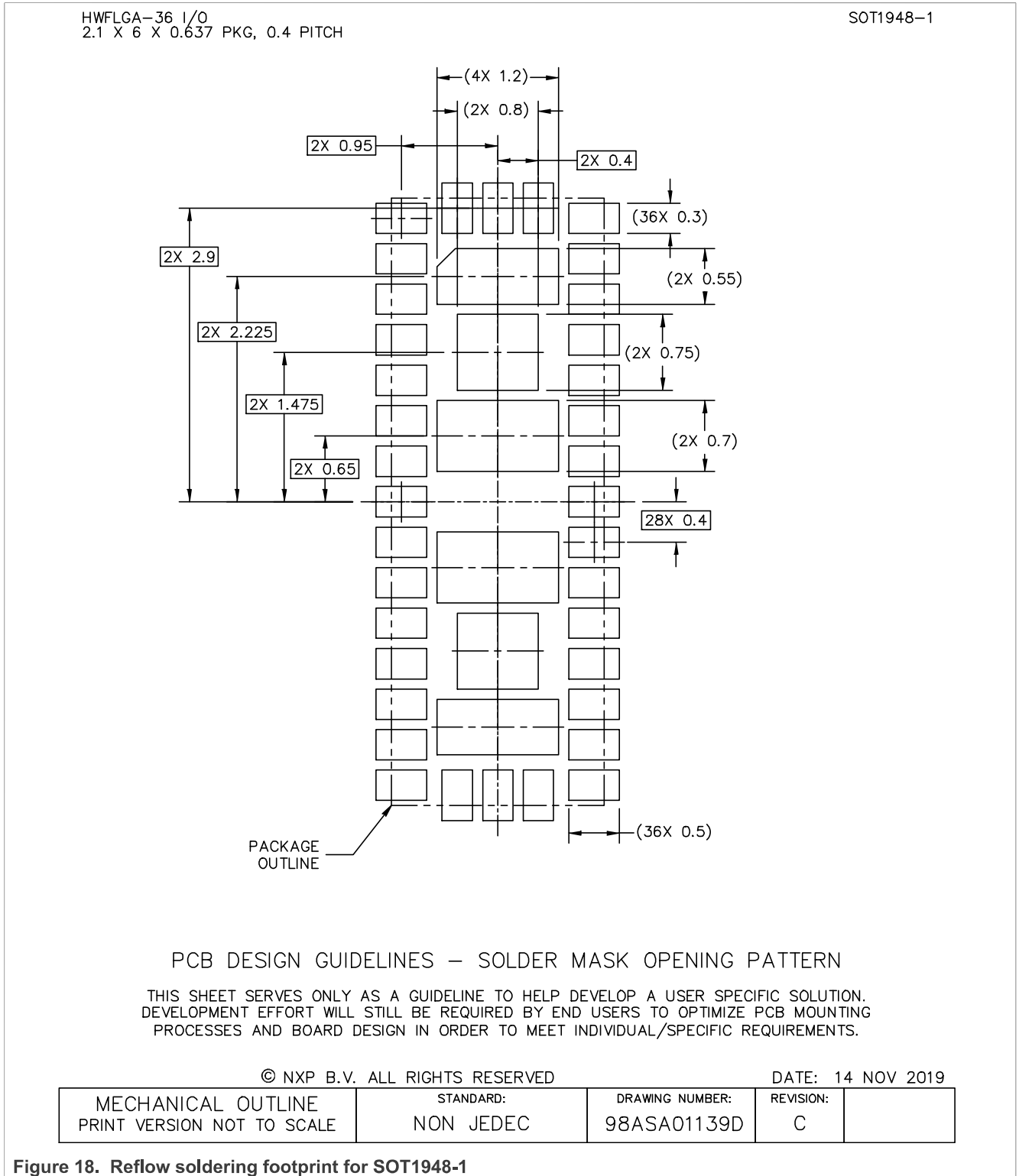


Table 20. Carrier tape dimensions

In accordance with IEC 60286-3/EIA-481.

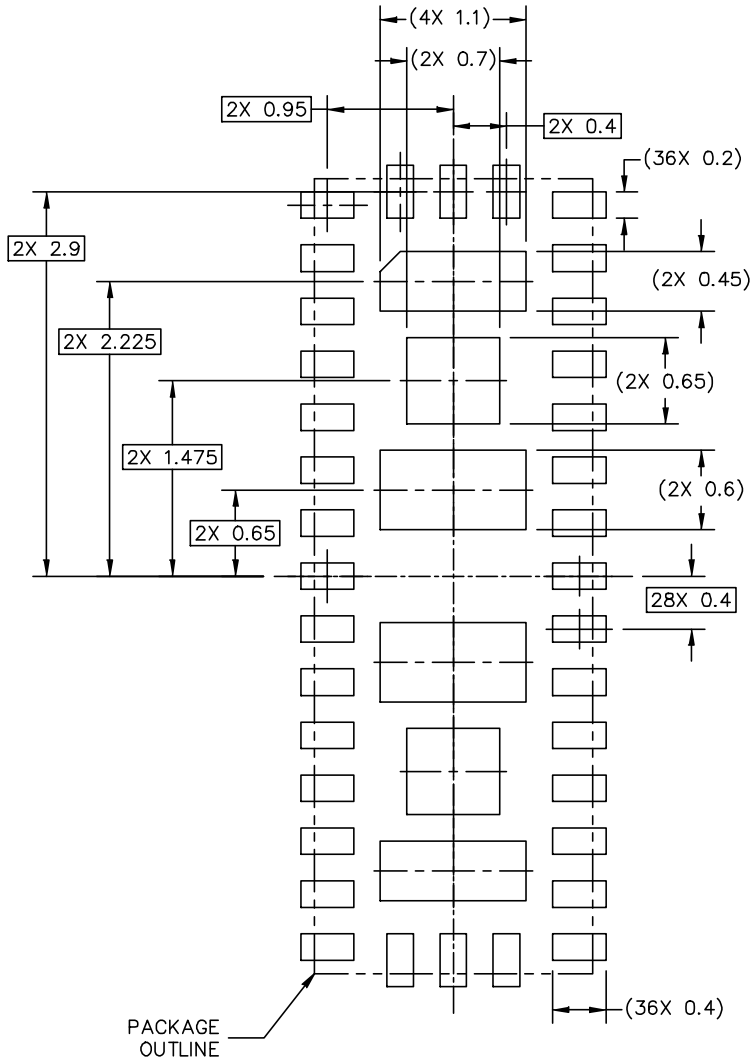
A ₀ (mm)	B ₀ (mm)	K ₀ (mm)	T (mm)	P ₁ (mm)	W (mm)
2.30 ± 0.05	6.30 ± 0.05	0.85 +.1/-0.05	0.30 ± 0.05	8 ± 0.1	12 +0.3/-0.1

13 Soldering



HWFLGA-36 I/O
2.1 X 6 X 0.637 PKG, 0.4 PITCH

SOT1948-1



PCB DESIGN GUIDELINES – I/O PADS AND SOLDERABLE AREA

THIS SHEET SERVES ONLY AS A GUIDELINE TO HELP DEVELOP A USER SPECIFIC SOLUTION. DEVELOPMENT EFFORT WILL STILL BE REQUIRED BY END USERS TO OPTIMIZE PCB MOUNTING PROCESSES AND BOARD DESIGN IN ORDER TO MEET INDIVIDUAL/SPECIFIC REQUIREMENTS.

© NXP B.V. ALL RIGHTS RESERVED

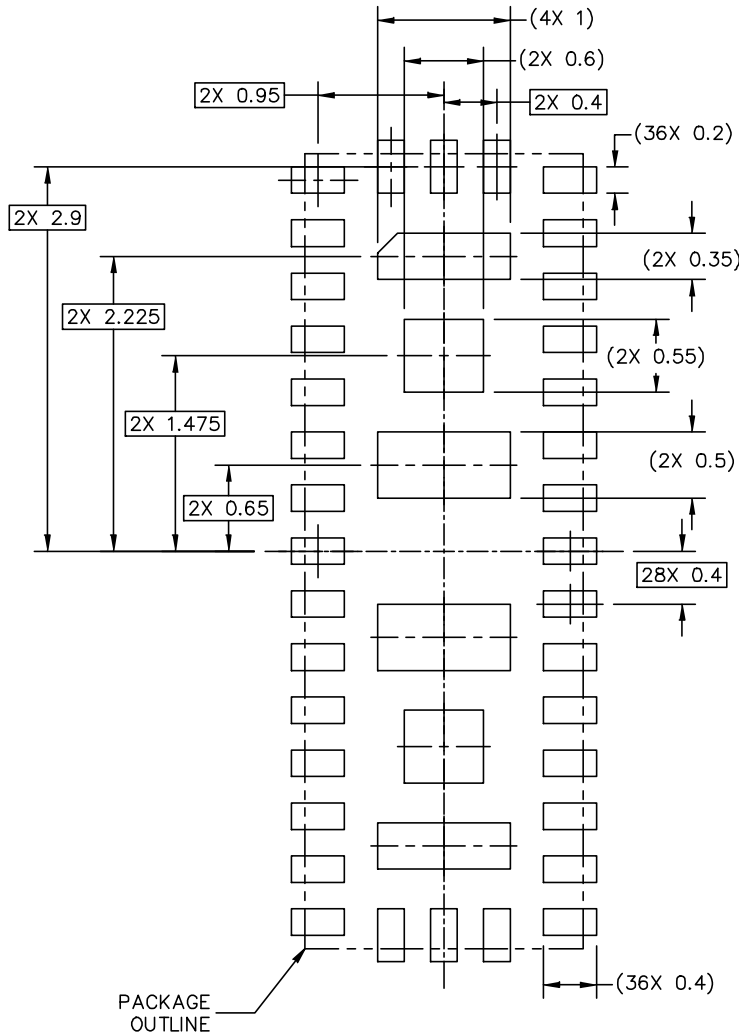
DATE: 14 NOV 2019

MECHANICAL OUTLINE PRINT VERSION NOT TO SCALE	STANDARD: NON JEDEC	DRAWING NUMBER: 98ASA01139D	REVISION: C	
--	------------------------	--------------------------------	----------------	--

Figure 19. Reflow soldering footprint part2 for HWFLGA36 (SOT1948-1)

HWFLGA-36 I/O
2.1 X 6 X 0.637 PKG, 0.4 PITCH

SOT1948-1



RECOMMENDED STENCIL THICKNESS 0.1

PCB DESIGN GUIDELINES – SOLDER PASTE STENCIL

THIS SHEET SERVES ONLY AS A GUIDELINE TO HELP DEVELOP A USER SPECIFIC SOLUTION. DEVELOPMENT EFFORT WILL STILL BE REQUIRED BY END USERS TO OPTIMIZE PCB MOUNTING PROCESSES AND BOARD DESIGN IN ORDER TO MEET INDIVIDUAL/SPECIFIC REQUIREMENTS.

© NXP B.V. ALL RIGHTS RESERVED

DATE: 14 NOV 2019

MECHANICAL OUTLINE PRINT VERSION NOT TO SCALE	STANDARD: NON JEDEC	DRAWING NUMBER: 98ASA01139D	REVISION: C	
--	------------------------	--------------------------------	----------------	--

Figure 20. Reflow soldering footprint part3 for HWFLGA36 (SOT1948-1)

14 Abbreviations

Table 21. Abbreviations

Acronym	Description
CDM	Charged Device Model
DS	Downstream
Gbps	Giga bits per second
HBM	Human Body Model
NC	No Connect
PCIe	Peripheral Component Interconnect Express
Rx	Receiver
SI	Signal Integrity
TX	Transmitter
UPI	Ultra Path Interconnect
US	Upstream

15 References

- [1] PCI Express Base Specification, Revision 4.0 Version 1.0, Sep 27, 2017
- [2] UM10204, "I²C-bus specification and user manual"; NXP Semiconductors, Rev 6, April 4, 2014

16 Revision history

Table 22. Revision history

Document ID	Release Date	Data sheet status	Change notice	Supersedes
PTN3944 v1.1	20210610	Product data sheet	-	PTN3944 v1.0
Modifications:	<ul style="list-style-type: none">• Corrected Figure 1			
PTN3944 v1.0	20210607	Product data sheet	-	-

17 Legal information

17.1 Data sheet status

Document status ^{[1][2]}	Product status ^[3]	Definition
Objective [short] data sheet	Development	This document contains data from the objective specification for product development.
Preliminary [short] data sheet	Qualification	This document contains data from the preliminary specification.
Product [short] data sheet	Production	This document contains the product specification.

- [1] Please consult the most recently issued document before initiating or completing a design.
- [2] The term 'short data sheet' is explained in section "Definitions".
- [3] The product status of device(s) described in this document may have changed since this document was published and may differ in case of multiple devices. The latest product status information is available on the Internet at URL <http://www.nxp.com>.

17.2 Definitions

Draft — A draft status on a document indicates that the content is still under internal review and subject to formal approval, which may result in modifications or additions. NXP Semiconductors does not give any representations or warranties as to the accuracy or completeness of information included in a draft version of a document and shall have no liability for the consequences of use of such information.

Short data sheet — A short data sheet is an extract from a full data sheet with the same product type number(s) and title. A short data sheet is intended for quick reference only and should not be relied upon to contain detailed and full information. For detailed and full information see the relevant full data sheet, which is available on request via the local NXP Semiconductors sales office. In case of any inconsistency or conflict with the short data sheet, the full data sheet shall prevail.

Product specification — The information and data provided in a Product data sheet shall define the specification of the product as agreed between NXP Semiconductors and its customer, unless NXP Semiconductors and customer have explicitly agreed otherwise in writing. In no event however, shall an agreement be valid in which the NXP Semiconductors product is deemed to offer functions and qualities beyond those described in the Product data sheet.

17.3 Disclaimers

Limited warranty and liability — Information in this document is believed to be accurate and reliable. However, NXP Semiconductors does not give any representations or warranties, expressed or implied, as to the accuracy or completeness of such information and shall have no liability for the consequences of use of such information. NXP Semiconductors takes no responsibility for the content in this document if provided by an information source outside of NXP Semiconductors. In no event shall NXP Semiconductors be liable for any indirect, incidental, punitive, special or consequential damages (including - without limitation - lost profits, lost savings, business interruption, costs related to the removal or replacement of any products or rework charges) whether or not such damages are based on tort (including negligence), warranty, breach of contract or any other legal theory. Notwithstanding any damages that customer might incur for any reason whatsoever, NXP Semiconductors' aggregate and cumulative liability towards customer for the products described herein shall be limited in accordance with the Terms and conditions of commercial sale of NXP Semiconductors.

Right to make changes — NXP Semiconductors reserves the right to make changes to information published in this document, including without limitation specifications and product descriptions, at any time and without

notice. This document supersedes and replaces all information supplied prior to the publication hereof.

Suitability for use — NXP Semiconductors products are not designed, authorized or warranted to be suitable for use in life support, life-critical or safety-critical systems or equipment, nor in applications where failure or malfunction of an NXP Semiconductors product can reasonably be expected to result in personal injury, death or severe property or environmental damage. NXP Semiconductors and its suppliers accept no liability for inclusion and/or use of NXP Semiconductors products in such equipment or applications and therefore such inclusion and/or use is at the customer's own risk.

Applications — Applications that are described herein for any of these products are for illustrative purposes only. NXP Semiconductors makes no representation or warranty that such applications will be suitable for the specified use without further testing or modification. Customers are responsible for the design and operation of their applications and products using NXP Semiconductors products, and NXP Semiconductors accepts no liability for any assistance with applications or customer product design. It is customer's sole responsibility to determine whether the NXP Semiconductors product is suitable and fit for the customer's applications and products planned, as well as for the planned application and use of customer's third party customer(s). Customers should provide appropriate design and operating safeguards to minimize the risks associated with their applications and products. NXP Semiconductors does not accept any liability related to any default, damage, costs or problem which is based on any weakness or default in the customer's applications or products, or the application or use by customer's third party customer(s). Customer is responsible for doing all necessary testing for the customer's applications and products using NXP Semiconductors products in order to avoid a default of the applications and the products or of the application or use by customer's third party customer(s). NXP does not accept any liability in this respect.

Limiting values — Stress above one or more limiting values (as defined in the Absolute Maximum Ratings System of IEC 60134) will cause permanent damage to the device. Limiting values are stress ratings only and (proper) operation of the device at these or any other conditions above those given in the Recommended operating conditions section (if present) or the Characteristics sections of this document is not warranted. Constant or repeated exposure to limiting values will permanently and irreversibly affect the quality and reliability of the device.

Terms and conditions of commercial sale — NXP Semiconductors products are sold subject to the general terms and conditions of commercial sale, as published at <http://www.nxp.com/profile/terms>, unless otherwise agreed in a valid written individual agreement. In case an individual agreement is concluded only the terms and conditions of the respective agreement shall apply. NXP Semiconductors hereby expressly objects to applying the customer's general terms and conditions with regard to the purchase of NXP Semiconductors products by customer.

No offer to sell or license — Nothing in this document may be interpreted or construed as an offer to sell products that is open for acceptance or the grant, conveyance or implication of any license under any copyrights, patents or other industrial or intellectual property rights.

Quick reference data — The Quick reference data is an extract of the product data given in the Limiting values and Characteristics sections of this document, and as such is not complete, exhaustive or legally binding.

Export control — This document as well as the item(s) described herein may be subject to export control regulations. Export might require a prior authorization from competent authorities.

Non-automotive qualified products — Unless this data sheet expressly states that this specific NXP Semiconductors product is automotive qualified, the product is not suitable for automotive use. It is neither qualified nor tested in accordance with automotive testing or application requirements. NXP Semiconductors accepts no liability for inclusion and/or use of non-automotive qualified products in automotive equipment or applications. In the event that customer uses the product for design-in and use in automotive applications to automotive specifications and standards, customer (a) shall use the product without NXP Semiconductors' warranty of the product for such automotive applications, use and specifications, and (b) whenever customer uses the product for automotive applications beyond NXP Semiconductors' specifications such use shall be solely at customer's own risk, and (c) customer fully indemnifies NXP Semiconductors for any liability, damages or failed product claims resulting from customer design and use of the product for automotive applications beyond NXP Semiconductors' standard warranty and NXP Semiconductors' product specifications.

Translations — A non-English (translated) version of a document is for reference only. The English version shall prevail in case of any discrepancy between the translated and English versions.

Security — Customer understands that all NXP products may be subject to unidentified or documented vulnerabilities. Customer is responsible for the design and operation of its applications and products throughout their lifecycles to reduce the effect of these vulnerabilities on customer's applications and products. Customer's responsibility also extends to other open and/or proprietary technologies supported by NXP products for use in customer's applications. NXP accepts no liability for any vulnerability. Customer should regularly check security updates from NXP and follow up appropriately. Customer shall select products with security features that best meet rules, regulations, and standards of the intended application and make the ultimate design decisions regarding its products and is solely responsible for compliance with all legal, regulatory, and security related requirements concerning its products, regardless of any information or support that may be provided by NXP. NXP has a Product Security Incident Response Team (PSIRT) (reachable at PSIRT@nxp.com) that manages the investigation, reporting, and solution release to security vulnerabilities of NXP products.

17.4 Trademarks

Notice: All referenced brands, product names, service names and trademarks are the property of their respective owners.

NXP — wordmark and logo are trademarks of NXP B.V.

Tables

Tab. 1.	Ordering information	2	Tab. 13.	Input AC/DC characteristics	22
Tab. 2.	Ordering options	2	Tab. 14.	Output AC/DC characteristics	23
Tab. 3.	Pin description	4	Tab. 15.	Ternary control input characteristics (external system voltage VSYS = 1.7 V to 3.6 V)	24
Tab. 4.	LCTL[2:1] Channel configurations: Flat gain setting of 0.7 dB (typical)	8	Tab. 16.	Binary control characteristics ADDR2, ADDR3, and ADDR4 pins (external system voltage VSYS = 1.7 V to 3.6 V)	25
Tab. 5.	LCTL[2:1] Channel configurations: Flat gain setting of -0.7 dB (typical)	9	Tab. 17.	Quaternary control input characteristics	26
Tab. 6.	LCTL3 channel configuration	9	Tab. 18.	I2C interface; AC/DC characteristics for SCL and SDA pins	27
Tab. 7.	Channel flat gain control using FG1 and FG2 pins	9	Tab. 19.	Dimensions and quantities	32
Tab. 8.	I2C slave address options	10	Tab. 20.	Carrier tape dimensions	32
Tab. 9.	I2C registers and description	11	Tab. 21.	Abbreviations	36
Tab. 10.	Limiting values	17	Tab. 22.	Revision history	38
Tab. 11.	Operating conditions	18			
Tab. 12.	Device characteristics	19			

Figures

Fig. 1.	Functional diagram	3	Fig. 13.	Package outline SOT1948-1	29
Fig. 2.	PTN3944 pinning (transparent top view)	4	Fig. 14.	Package outline dt HWFLGA36 (SOT1948-1)	30
Fig. 3.	LCTL signals to corresponding transmitter or receiver	8	Fig. 15.	Package outline note HWFLGA36 (SOT1948-1)	31
Fig. 4.	I2C read sequence	14	Fig. 16.	Product orientation in carrier tape	32
Fig. 5.	I2C write sequence	15	Fig. 17.	Carrier tape dimensions	32
Fig. 6.	Reading one or more consecutive registers	15	Fig. 18.	Reflow soldering footprint for SOT1948-1	33
Fig. 7.	Writing one or more consecutive registers	16	Fig. 19.	Reflow soldering footprint part2 for HWFLGA36 (SOT1948-1)	34
Fig. 8.	Noise test configuration	21	Fig. 20.	Reflow soldering footprint part3 for HWFLGA36 (SOT1948-1)	35
Fig. 9.	Binary GPIO input buffer setting	23			
Fig. 10.	Ternary GPIO input buffer setting	24			
Fig. 11.	Quaternary input buffer setting	26			
Fig. 12.	I2C-bus timing diagram	28			

Contents

1	General description	1
2	Features	1
3	Applications	2
4	Ordering information	2
4.1	Ordering options	2
5	Functional diagram	3
6	Pinning information	4
6.1	Pinning	4
6.2	Pin description	4
7	Functional description	7
7.1	PCIe operation	7
7.2	Linear equalizer control	7
7.2.1	Power-on operational mode	7
7.2.2	Channel settings	7
7.2.3	I2C configurability	10
7.2.4	I2C registers	11
7.2.5	I2C read/write operations	14
7.2.5.1	Single byte register reads/writes	14
7.2.5.2	Multi-byte register reads/writes	15
8	Limiting values	17
9	Recommended operating conditions	18
10	Characteristics	19
10.1	Device characteristics	19
10.2	Input AC/DC characteristics	22
10.3	Output AC/DC characteristics	23
10.4	Ternary control characteristics for LCTL[1, 2, 3] and FG[2:1] pins	24
10.5	Binary control characteristics ADDR2, ADDR3, and ADDR4 pins	25
10.6	Quaternary control characteristics for ADDR1 pin	26
10.7	I2C AC/DC characteristics	27
11	Package outline	29
12	Packing information	32
12.1	SOT1948-1; HWFLGA36; reel dry pack, SMD, 13" Q1 standard product orientation ordering code (12NC) ending 019	32
12.1.1	Dimensions and quantities	32
12.1.2	Product orientation	32
12.1.3	Carrier tape dimensions	32
13	Soldering	33
14	Abbreviations	36
15	References	37
16	Revision history	38
17	Legal information	39

Please be aware that important notices concerning this document and the product(s) described herein, have been included in section 'Legal information'.

© NXP B.V. 2021.

All rights reserved.

For more information, please visit: <http://www.nxp.com>

For sales office addresses, please send an email to: salesaddresses@nxp.com

Date of release: 10 June 2021
Document identifier: PTN3944