

## - 规格书 -

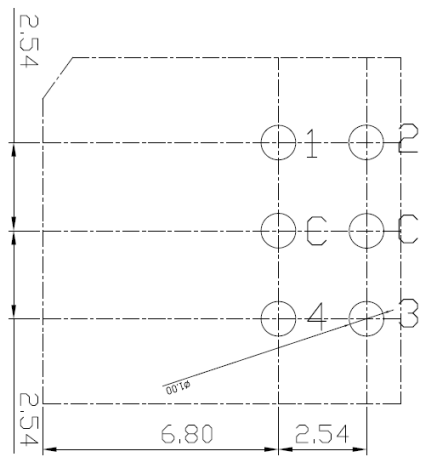
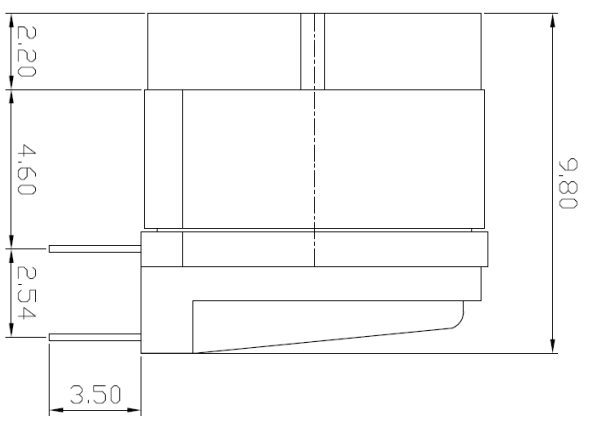
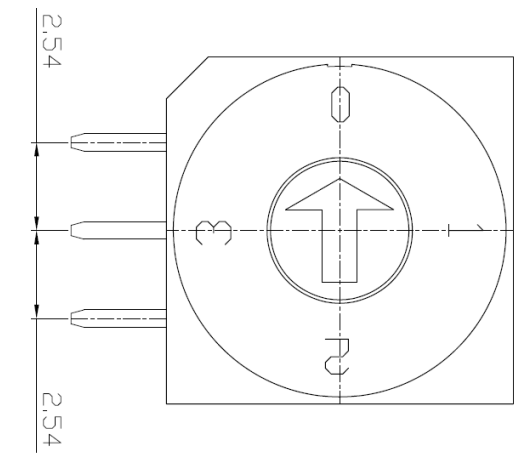
产品型号: MED-04H1

产品名称: 旋转编码开关

# SM SWITCH CO., LTD

Add : 江苏省无锡市新吴区弘毅路8号金帛座706室  
韩国京畿道富川市三鹤路22号富川科技园103-506栋  
TEL : +86-510-8591-9217  
H. P : 138-6177-3466  
E-mail : SMSWITCH@SIMAOKJ.COM  
Web : WWW.SIMAOKJ.CN

MARK	DATE	REMARKS
△		
△		



P.C.B DIMENSION

POSITION	Decimal			
	0	1	2	3
4	•	•		•
3	•	•		
2		•	•	
1			•	
0				•

APPD	CHKD	D'SGD	TITLE	<b>ROTARY DIP SWITCH</b> MED-04H1 SM SWITCH CO., LTD.
YD WANG	J.S. KIM	H.S. LEE	MODEL NO.	
			REV. A	



ROTARY DIP SWITCH  
SPECIFICATION

Rev. A  
P:1/4

**1. Style:**

This specification describes "Rotary Switch" mainly used as signal switch of electric devices with the general requirements of mechanical and electrical characteristics.

1.1 Operating / Storage Temperature Range : -40℃ ~ +85℃

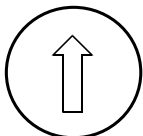
**2. Current Range:**

2.1 None-Switching : 200mA, 42V

2.2 Switching : 150mA, 42V

**3. Type of Actuation : Rotating**

**4. Test Sequence :**

<b>E L E C T R I C  P E R F O R M A N C E</b>	ITEM	DESCRIPTION	TEST CONDITIONS	REQUIREMENTS
	1	Visual Examination	By visual examination check without any out pressure & testing.	There shall be no defects that affect the serviceability of the product
	2	Contact Resistance	① To be measured between the two terminals associated with each switch pole ② Measurements shall be made with a 1kHz shall current contact resistance meter	80mΩ max
	3	Insulation Resistance	250V DC, 1minute ±5seconds	100MΩ min
	4	Dielectric withstanding Voltage	250V AC(50Hz or 60Hz)shall be applied between all the adjacent terminal and between the terminal and the frame For 1 minute	There shall be no breakdown or flash over
5	Operation Force	Applied in the direction of operation 	700gf/cm. max	



## ROTARY DIP SWITCH SPECIFICATION

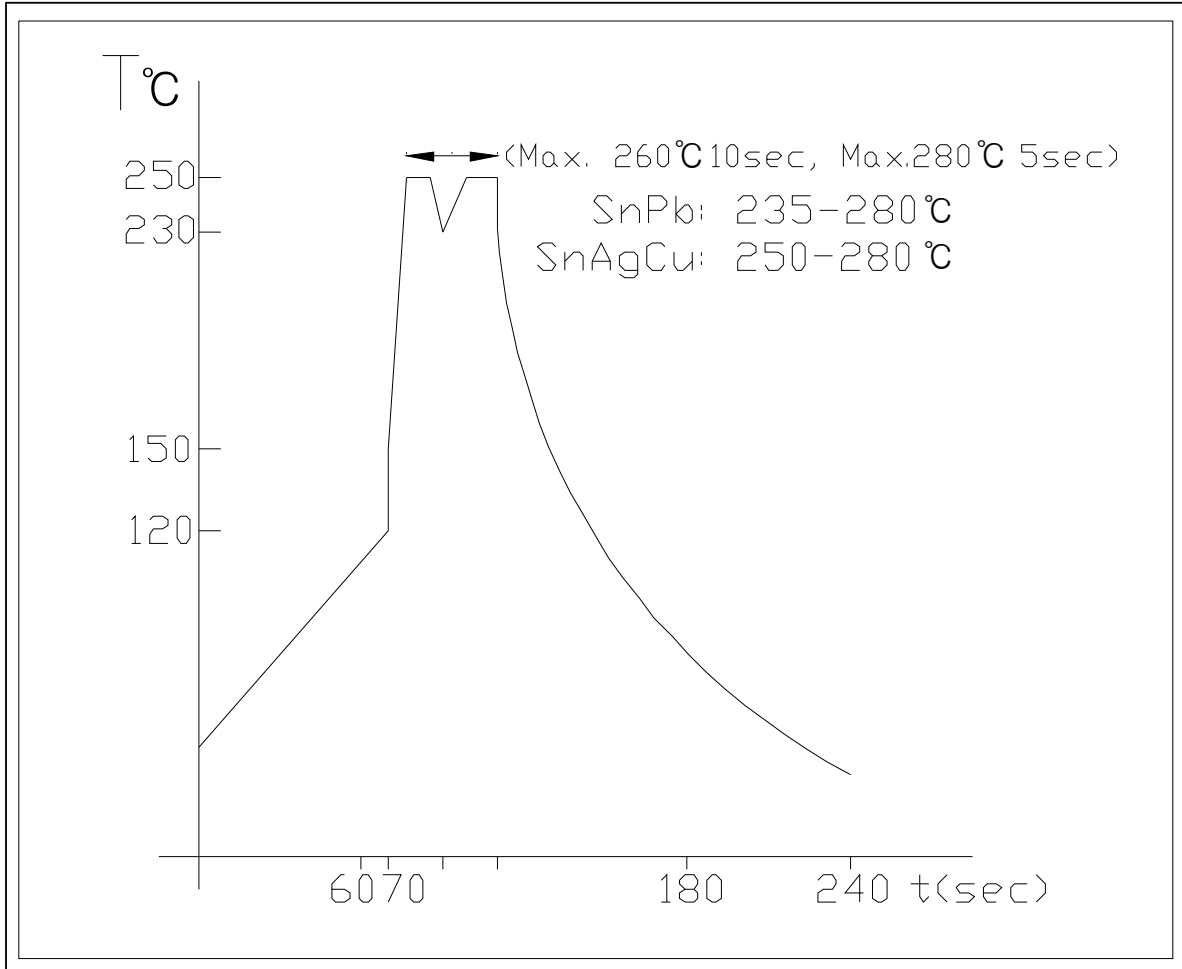
Rev. A  
P: 2/4

M A C H I N  P E R F O R M A N C E	6	Operation Life	<p>Measurements shall be made following the test set forth below:</p> <ul style="list-style-type: none"><li>1)150mA, 42V DC resistive load</li><li>2)Rate of operation: 15~20 cycles/ minute</li><li>3)Step of operation: 10,000 steps</li></ul>	<ul style="list-style-type: none"><li>1)As shown in item 3,4</li><li>2)Contact Resistance: 200mΩ max</li><li>3)Final-after test</li></ul>
	7	Resistance Low Temperature	<p>Following the test set forth below the sample shall be left in normal temperature and humidity conditions for an hour before measurements are made:</p> <ul style="list-style-type: none"><li>1)Temperature: -40℃ ±3℃</li><li>2)Time: 96 hours</li></ul>	As shown in item 2~5
	8	Resistance High Temperature	<p>Following the test set forth below the sample shall be left in normal temperature and humidity conditions for an hour before measurements are made:</p> <ul style="list-style-type: none"><li>1)Temperature: 85℃ ±2℃</li><li>2)Time: 96 hours</li></ul>	<ul style="list-style-type: none"><li>1)As shown in item 3~5</li><li>2)Contact Resistance: 200mΩ max</li></ul>
	9	Resistance Humidity	<p>Following the test set forth below the sample shall be left in normal temperature and humidity conditions for an hour before measurements are made:</p> <ul style="list-style-type: none"><li>1)Temperature: 40℃ ±2℃</li><li>2)Relative humidity: 90~95%</li><li>3)Time: 96 hours</li></ul>	<ul style="list-style-type: none"><li>1)As shown in item 4</li><li>2)Contact Resistance: 200mΩ max</li><li>3)Insulation Resistance: 10MΩ min</li></ul>



# ROTARY DIP SWITCH SPECIFICATION

## 5. Wave Soldering Conditions:



## 6. manual Soldering

: Max. 350°C Max. 3sec

## 7. This item is "ROHS" Compliant



## ROTARY DIP SWITCH SPECIFICATION

Rev. A  
P: 4/4

### 8. Part List

NO	PART NAME	Q'TY	MATERIALS	TREATMENT	REMARK
1	COVER	1	PA66		Print:Black
2	BASE	1			
3	ACTUATOR	1	POM		
4	CONTACT & TERMINAL	1	PHOSPHOR BRONZE	CONTACT AND TERMINAL PLATING: GOLD PLATING OVER NICKEL	Au0.03 $\mu$ m Min Ni0.1 $\mu$ m Min
5	PCB	1	EPOXY	PLATING: GOLD PLATING	Au0.05 $\mu$ m Min
6	O-Ring	1	SILICONE		