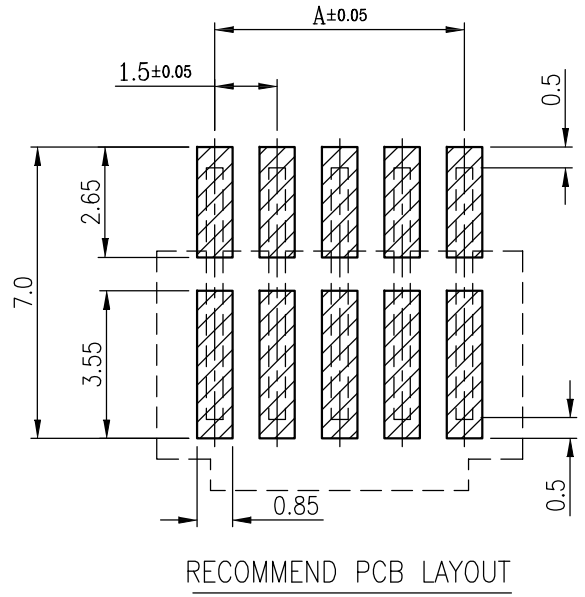
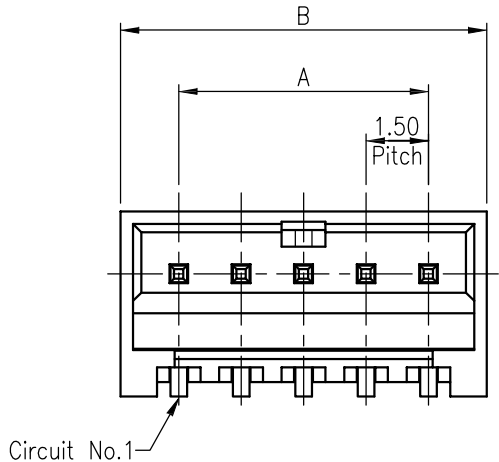
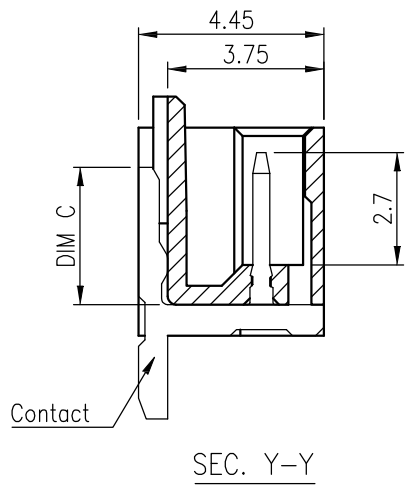
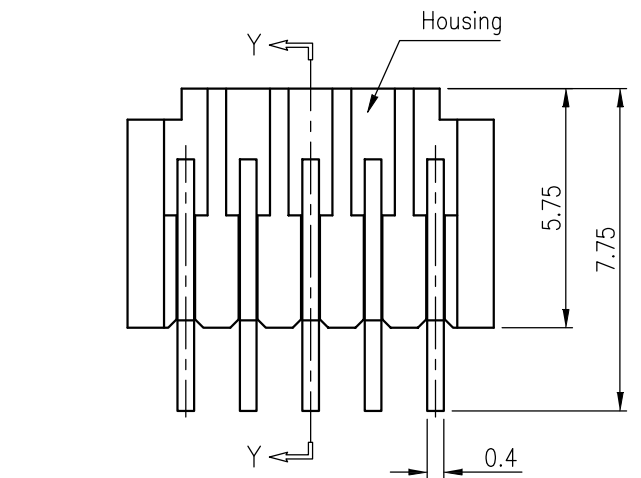




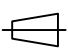
修 订	标 记	修 改 描 要	签 名	日 期
REV	MARK	REVISION DESCRIPTION	SIGNATURE	DATE
AO		NEW DRG		2016-03-12



- NOTES:
- MATERIAL:
 - HOUSING: HALOGEN FREE PLASTIC, HIGH TEMP., UL94V-0.
 - CONTACT: COPPER ALLOY
 - FINISH:
 - GOLD FLASH PLATING(1~3u"), UNDER NICKEL PLATED.
 - N: 100~200u" Matt Tin PLATING, UNDER NICKEL PLATED. (Lead Free)
 - L: 100~200u" Tin PLATING, UNDER NICKEL PLATED.
 - REFLOW SOLDER CAPABLE TO 260. C
 - SPEC. PLS. REFER TO PS-WB1502-XXXXX-XXX
 - PACKAGE PLS. REFER TO WB1502 -XXXX-TRP
 - PART NUMBER



CKT	DIM A	DIM B
2	1.5	4.3
3	3.0	5.8
4	4.5	7.3
5	6.0	8.8
6	7.5	10.3
7	9.0	11.8
8	10.5	13.3
9	12.0	14.8

		深圳市华德共创科技有限公司 Shenzhen Huade co-create Technology Co., LTD 电话: 0755-27111225 传真: 0755-29940187						
-TOLERANCES- UNLESS OTHERWISE SPECIFIED 公差参数表		 		TITLE: 产品名称: MX1.5卧贴针座				
X.X	±0.30	X.X*	±3*	APPD: 核准:	PART NO: 产品编号: HDGC1502WR-S-XP			
X.XX	±0.20	X.XX*	±2*	CHECK: 校对: 王建业	DATE	SCALE	UNIT	CODE NUMBER
X.XXX	±0.10	X.XXX*	±1*	DRAW: 绘图: 黄艳兰	2016-03-12	1:1	mm	A001