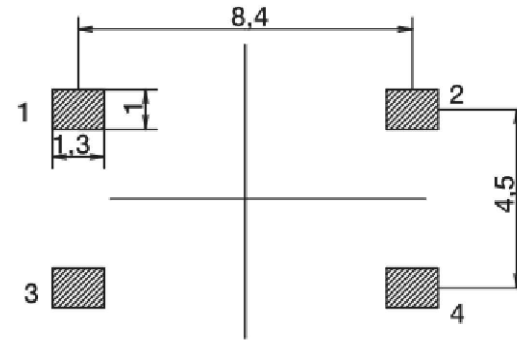
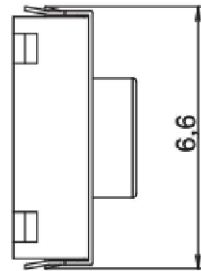
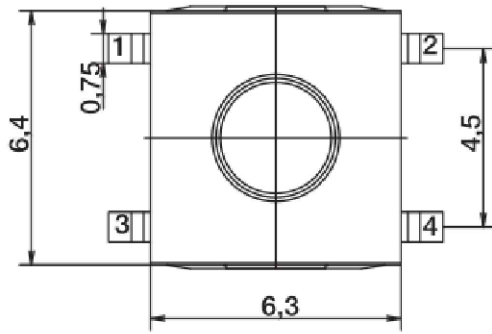
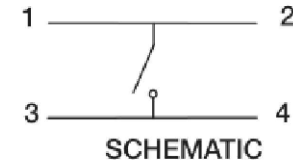
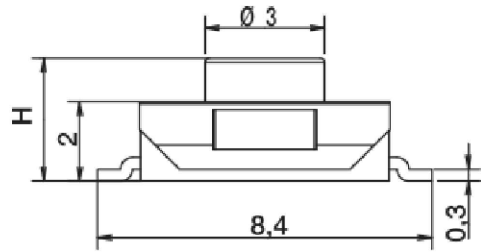


# RoHS

CAD GENERATED DRAWING. DON'T CHANGE BY HAND.

REV.	ECN. NO.	APPD.



**RECOMMENDED PCB LAYOUT**

**Specification**

Operating Life	1000,000 cycles
Operating Force	F
Maximum Voltage	12VDC
Max Current	50 mA
Dielectric Strength	250 V AC(1mm)
Contact Resistance	<=100 mΩ
Insulation Resistance	>=100M Ω
Bounce Time	<5 ms
Storage Temperature	-30° C to 85° C

Travel:  
 0.20mm ±0.15mm for 160&250 gf  
 0.30mm ±0.15mm for 320 gf

Packaging:  
 Switches in reels of 1,500 pieces. Dimensions of reels according to EIA 481B External diameter 330mm

**F (force)**

NO.	Force	Color
M	160 ±50 gf	blue
K	250 ±50 gf	red
P	320 ±80 gf	black

**H (height)**

NO.	Height
25	2.5mm
31	3.1mm
34	3.4mm

X.	±0.50	X.°	± 2°
.X	±0.30	.X°	± 1°
.XX	±0.10	.XX°	± 0.5°
.XXX	± 0.05		

UNITS	mm
MAT'L	/
FINISH	/
Q'TY	/



**深圳市怡远科技有限公司**  
 SHENZHEN YIYUAN TECHNOLOGY CO.,LTD

PART NO.	<b>YTS641S</b>
APPD:	ROGER
CHKD:	ROC
DR:	BILLY WANG 2020/08/21

TITLE:	<b>TACTILE SWITCH</b>
DWG NO.:	<b>YTS641S</b>

THESE DRAWINGS AND SPECIFICATIONS ARE THE PROPERTY OF YIYUAN TECHNOLOGY CO.,LTD AND SHALL NOT BE REPRODUCED, COPIED OR USED IN ANY MANNER WITHOUT THE PRIOR WRITTEN CONSENT OF YIYUAN TECHNOLOGY CO.,LTD

	SCALE	SHEET	REV.
	1/1	1/1	A1