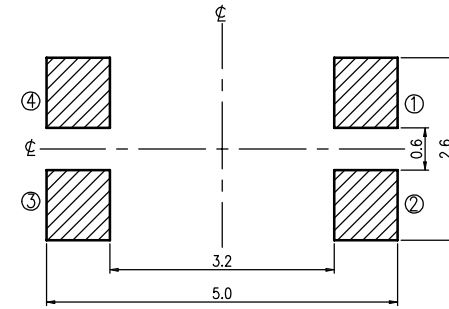
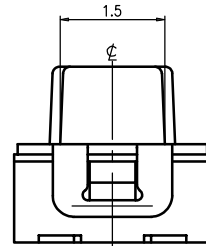
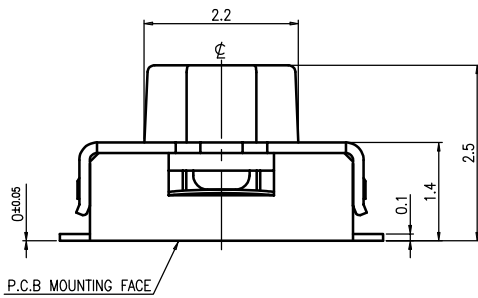
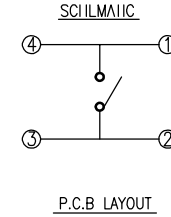
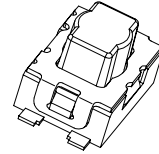
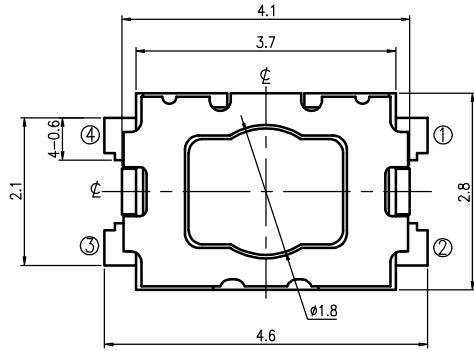


RoHS

CAD GENERATED DRAWING. DON'T CHANGE BY HAND.

REV.	ECN. NO.	APPD.



Specification

Operation (Torque)	300±75GF
Operating Life	300,000
Contact rating	50mA@12V DC.
Insulation resistance	DC500V-1GΩ MIN
Contact resistance	100mΩ max. initial
Dielectric Strength	250 V AC(1mm)
Travel	0.25±0.1mm
Waterproof Grade	IP67

X. ±0.50 X.* ± 2° UNITS mm
 .X ±0.30 .X* ± 1°
 .XX ±0.10 .XX* ± 0.5°
 .XXX ± 0.05
 THESE DRAWINGS AND SPECIFICATIONS ARE THE PROPERTY OF YIYUAN TECHNOLOGY CO.,LTD AND SHALL NOT BE REPRODUCED, COPIED OR USED IN ANY MANNER WITHOUT THE PRIOR WRITTEN CONSENT OF YIYUAN TECHNOLOGY CO.,LTD

深圳市怡远科技有限公司 SHENZHEN YIYUAN TECHNOLOGY CO.,LTD	PART NO. YTS2283G	TITLE: TACTILE SWITCH
	APPD: ROGER	DWG NO.: YTS2283G
FINISH	CHKD: RDC	SCALE SHEET REV. 1/1 1/1 A1
Q'TY	DR: BILLY WANG 2020/08/21	