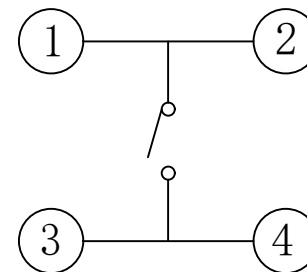
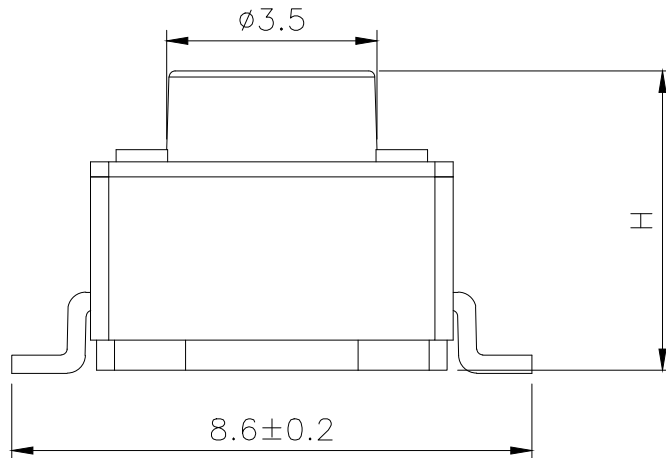
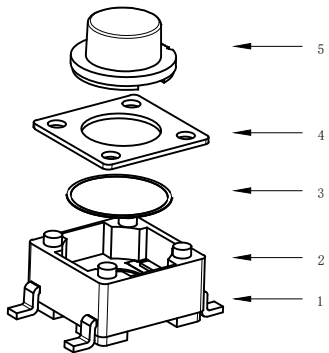


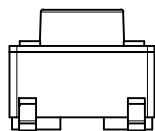
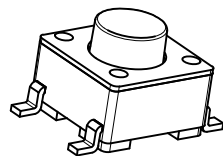
RoHS

CAD GENERATED DRAWING. DON'T CHANGE BY HAND.

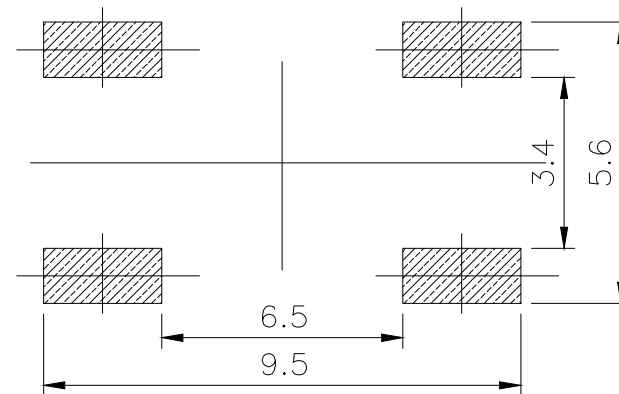
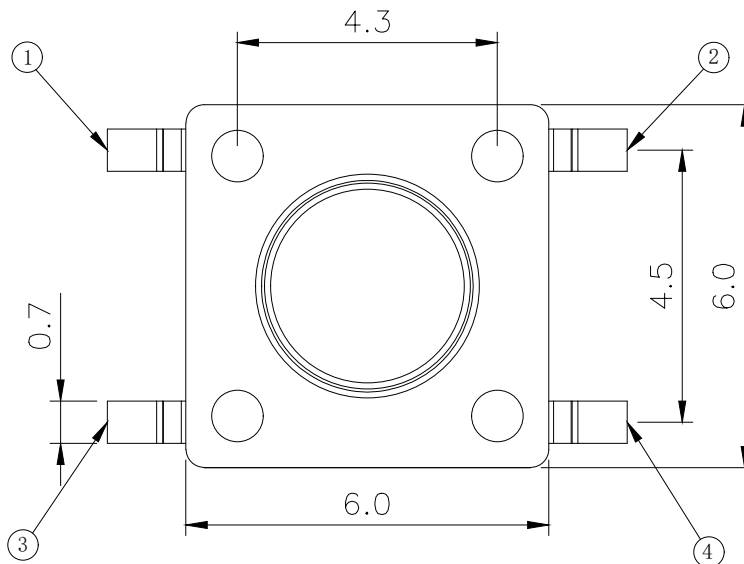
REV.	ECN. NO.	APPD.



CIRCUIT DIAGRAM



Specification



PCB. WELDING DRAWING

Packaging:
 A reel of 1000 pieces for 4.3~6.5H
 A reel of 800 pieces for 7.0~7.5H
 A reel of 700 pieces for 8.0~8.5H
 A reel of 500 pieces for 9.0~15.0H

Operating Life	100,000
Contact rating	50mA@12V DC.
Insulation resistance	1011Ω min.
Contact resistance	100mΩ max. initial.
Dielectric Strength	250 V AC(1mm)
Travel	0.2±0.1mm
Storage Temperature	-30° C to 85° C

Mechanical

ITEM	DESCRIPTION	MATERIAL	QTY	FINISH/COLOR
E	Button	PPA	1	Black
D	COVER	Brass	1	Cleaning
C	DOME	Stainless Steel	1	Plated Ag
B	HOUSING	PPA	1	Black
A	PIN	PHOSPHOR BRONZE	1	Plated Ag

Type	Operating Force (gf)	Height (mm)	Button	Leads Shape (G, J, T)	Ground pin (0, 1)	Pegs Option (0, 1)
YTS1R003	2 (250±50) 1 (160±50) 0 (100±30)	Q	15.0	B (BLACK)	G	0 (None)
		P	13.0			
		O	12.0			
		N	11.0			
		M	10.0			
		L	9.0			
		K	8.5			
		J	8.0			
		H	7.5			
		G	7.0			
		F	6.5			
		E	6.0			
		D	5.5			
C	5.0					
B	4.5					
A	4.3					

X.	±0.50	X.°	±2°
.X	±0.30	.X°	±1°
.XX	±0.10	.XX°	±0.5°
.XXX	±0.05		

UNITS	mm
MAT'L	/
FINISH	/
Q'TY	/

yiYUAN 深圳市怡远科技有限公司
 SHENZHEN YIYUAN TECHNOLOGY CO., LTD

PART NO. **YTS1R003** TITLE: **TACTILE SWITCH 6*6 SMT**

APPD: ROGER DWG NO.: **YTS1R003**

CHKD: ROC

DR: BILLY WANG 2020/08/21

SCALE	SHEET	REV.
1/1	1/1	A1

THESE DRAWINGS AND SPECIFICATIONS ARE THE PROPERTY OF YIYUAN TECHNOLOGY CO.,LTD AND SHALL NOT BE REPRODUCED, COPIED OR USED IN ANY MANNER WITHOUT THE PRIOR WRITTEN CONSENT OF YIYUAN TECHNOLOGY CO.,LTD