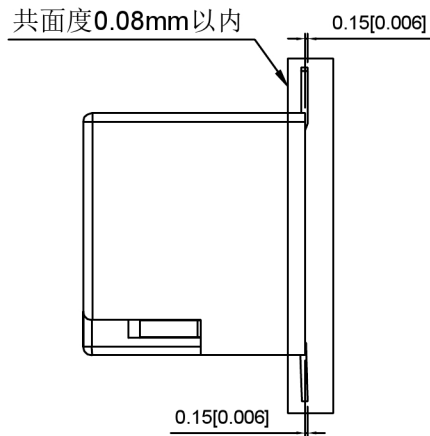
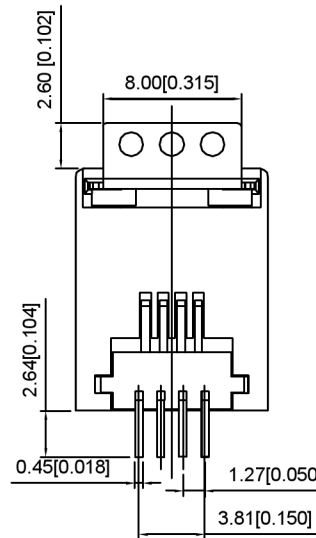


FRONT VIEW

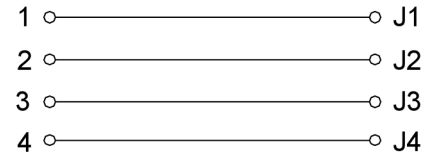


RIGHT SIDE VIEW

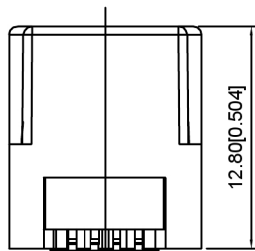


BACK VIEW

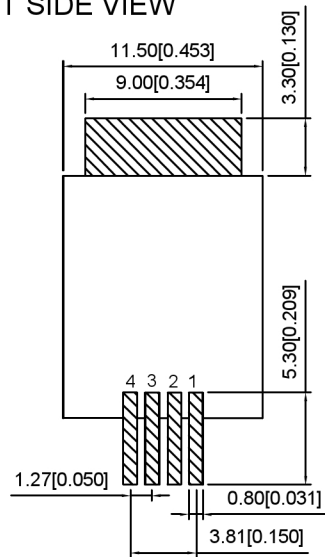
PCB SIDE TO PHY



CABLE SIDE



BOTTOM VIEW



RECOMMENDED PCB LAYOUT VIEWED FROM COMPONENT SIDE

XKB Connectivity

MATERIAL 材料:

HOUSING 外壳: LCP,UL94V-0,BLACK.

TERMINAL 端子: PHOSPHOR BRONZE T=0.35MM

GOLD PLATING ON CONTACT AREA.

MECHANICAL 机械:

DURABILITY 耐用性: 750 CYCLES MIN,12.5MM/MINUTE.

INSERTION FORCE 插入力:2.2KG.F MAX

RETENTION STRENGTH 保持力:7.7KG.F BETWEEN JACK AND PLUG.

OPERATING TEMPERATURE 工作温度: -40°C~+85°C.

STORAGE TEMPERATURE 储存温度: -40°C~+85°C.

ALL CRITICAL DIMENSIONS WITH "MM"

ELECTRICAL 电气:

VOLTAGE 电压: 125 VOLTS AC.

CURRENT RATING 电流额定值: 1.5AMP.

DIELECTRIC STRENGTH 介电强度: 1000 VAC RMS 50HZ OR 60HZ,1 MIN

INSULATION RESISTANCE 绝缘电阻: 500 MEGA OHMS MIN.INITIAL

AFTER 500V DC FOR 1 MINUTE.

CONTACT RESISTANCE 接触电阻:SINGLE TERMINAL 30 MILLIOHMS MAX.

INITIAL 50 MILLIOHMS MAX. AFTER

DURABILITY TEST.

广东星坤科技股份有限公司

生 日期

教 日期

MARK

文件工程章

REVISIONS	DESCRIPTION	DATE	REVISED	APPROVED	UNSPECIFIED TOLERANCES
ANGLAR					±5°
L ≤ 4					±0.2
4 < L ≤ 16					±0.3
16 < L ≤ 63					±0.4
L > 63					±0.5

XKB

XKB INDUSTRIAL PRECISION CO.,LIMITED

DSND	SCALE: N/A	MODEL TYPE:
DWN	VIEW:	RJ JACK
CHKD	UNIT: mm/in	PART NO.:
APPD	SIZE: A4	DWG NO.:
		X35AKIWW6SB3009
	WEIGHT	SHEET
		1/1
		REVISION
		A0