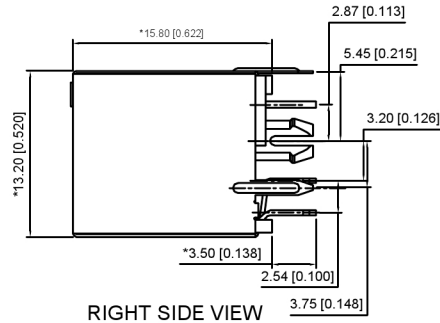


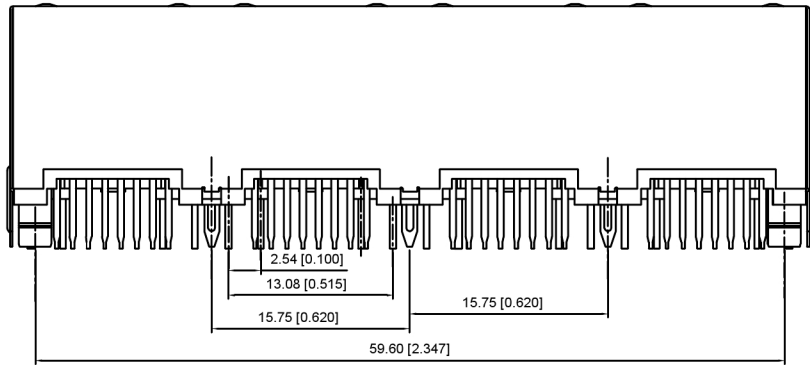
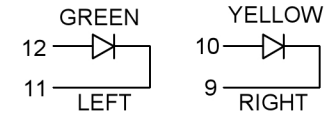
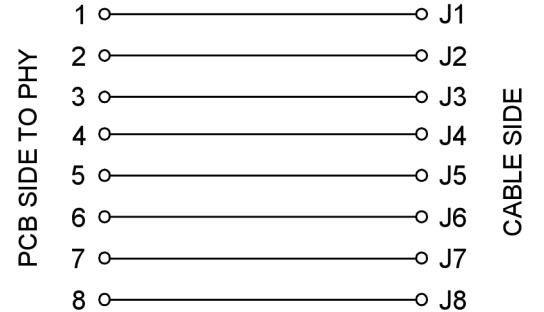
FRONT VIEW



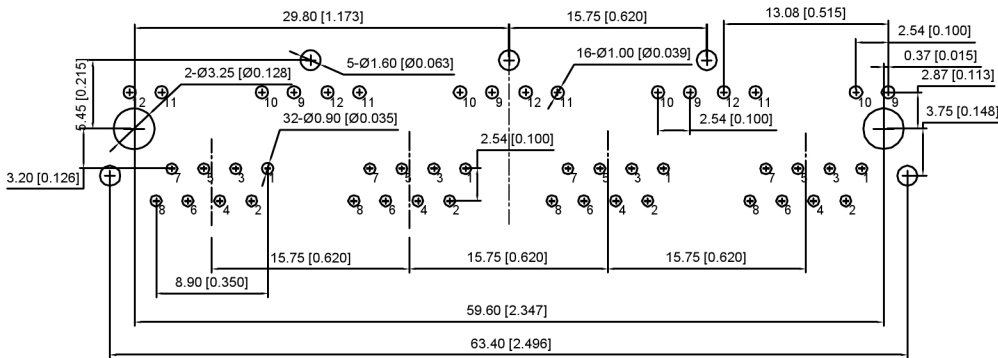
RIGHT SIDE VIEW

LED Specification

| Standard LED Color | LED Wavelength | Forward(A) | Forward(V) |
|--------------------|----------------|------------|------------|
| Green | 568nm | 20mA | 1.80-2.8 V |
| Yellow | 585nm | 20mA | 1.8-2.8V |



BOTTOM VIEW



RECOMMENDED PCB LAYOUT
VIEWED FROM COMPONENT SIDE

XKB Connectivity

MATERIAL 材料:

HOUSING 外壳: PBT,UL94V-0,BLACK.

TERMINAL 端子: PHOSPHOR BRONZE T=0.35MM, GOLD PLATING

SHIELD 保护物: C2680,T=0.20MM,20 MIN NICKEL PLATING ON ALL AREA.

MECHANICAL 机械:

DURABILITY 耐用性: 750 CYCLES MIN, 12.5MM/MINUTE.

INSERTION FORCE 插入力: 2.2KG.F MAX

RETENTION STRENGTH 保持力: 7.7KG.F BETWEEN JACK AND PLUG.

OPERATING TEMPERATURE 工作温度: -40°C~+85°C.

STORAGE TEMPERATURE 储存温度: -40°C~+85°C.

ALL CRITICAL DIMENSIONS WITH "MM"

ELECTRICAL 电气:

VOLTAGE 电压: 125 VOLTS AC.

CURRENT RATING 电流额定值: 1.5AMP.

DIELECTRIC STRENGTH 介电强度: 1000 VAC RMS 50HZ OR 60HZ, 1 MIN

INSULATION RESISTANCE 绝缘电阻: 500 MEGA OHMS MIN. INITIAL

AFTER 500V DC FOR 1 MINUTE.

CONTACT RESISTANCE 接触电阻: SINGLE TERMINAL 30 MILLIOHMS MAX.

INITIAL 50 MILLIOHMS MAX. AFTER

DURABILITY TEST.

广东星坤科技股份有限公司

| | | |
|------|--|-------------|
| △X | | 日期 |
| △X | | 日期 |
| △X | | 日期 |
| MARK | | DESCRIPTION |

文件工程章

| REVISIONS | DATE | REVISED | APPROVED | UNSPECIFIED TOLERANCES |
|-----------|------|---------|----------|------------------------|
| | | | | |
| | | | | |
| | | | | |
| | | | | |

www.helloxkb.com www.helloxkb.cn www.xk-dg.cn



| | | |
|---------------------------------------|-------------|---------------------------|
| DSND | SCALE: N/A | MODEL TYPE: RJ JACK |
| DWN | VIEW: | PART NO.: |
| CHKD | UNIT: mm/in | DWG NO.: X03CDAB2A1DB4057 |
| APPD | SIZE: A4 | WEIGHT SHEET REVISION |
| XKB INDUSTRIAL PRECISION CO., LIMITED | | 1/1 A0 |