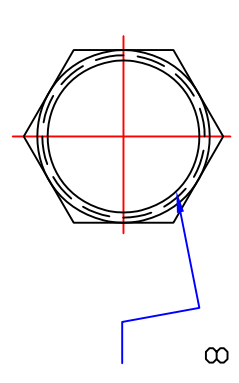
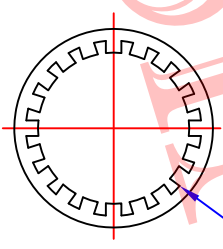
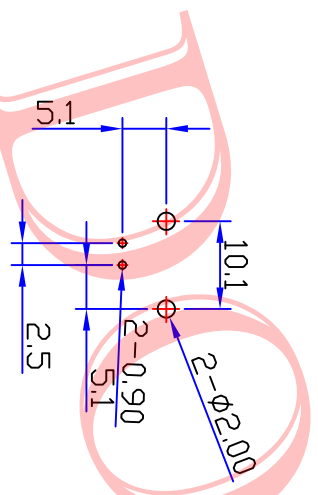
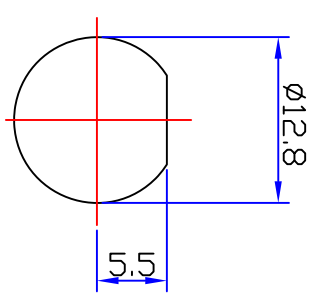
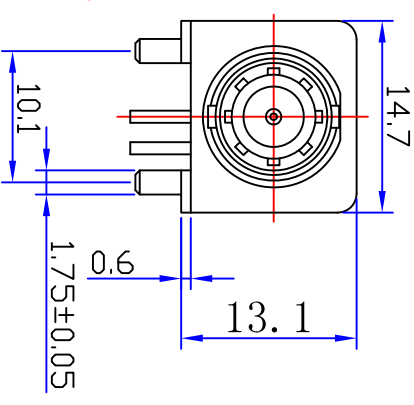
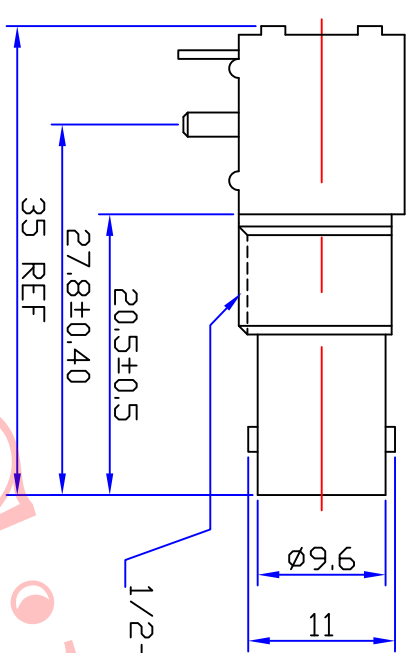
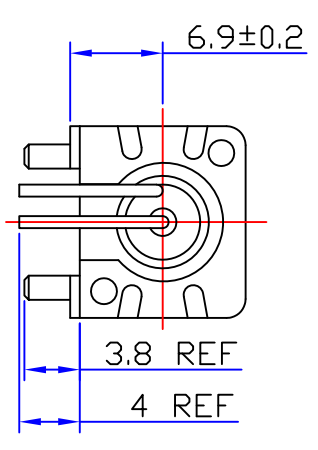




Product NO.		DOSIN-801-0042		
REV	DESCRIPTION	DWN	DATE	APPROVEN
A	First Issue	Mr. Wang	2010/08/19	John Kine



LOCK WASHER

1/2-28UNEF-2B
CLAMP NUT

Specification:
 Impedance: 50 Ohms
 VSWR:1.3MAX
 Frequency range:DC~4G
 Working Voltage:500V rms @ sea level
 Insulation resistance:5000 Ohms min
 Temperature range:-55°C T0 +155°C
 Relative temperature:≤95%(40°C±2°C)
 Drawings products are in line with ROHS standards.

RECOMMENDED MOUNTING HOLE
 MAXIMUM PANEL THICKNESS:5.5MM
 RECOMMENDED MOUNTING TORQUE:
 12 INCH-POUNDS MAX

1	Body	Zinc	NI:80-120u"	NOTE:
2	Center contact	Brass	AU:1u"	
3	Lead	Iron	AU:1u"	
4	Fixed footrest	Iron	NI:80-120u"	
5	Insulator	POM	White	
6	Fixed mount	PBT	White	
7	Washer	IRON	NI:80-120u"	
8	Hex nut	Brass	NI:80-120u"	

NO	Component Number	Material	Finish	APPROVALS	SCALE
10					1:1
9					
8					
7					
6					
5					
4					
3					
2					
1					

DOSIN COMMUNICATION **Dosin Industrial(H.K)Co.,Ltd** E-mail:dosin2005@163.com
 东莞市德索五金电子有限公司 dosin2005@dosin-china.com
Dosin Hardware Electronics Co.,Ltd Web:http://www.china-guan.com
 TEL:(0086)769-81153906
 FAX:(0086)769-81875836

Name: BNC Jack 90° PCB Mount

SIZE: A Product NO. DOSIN-801-0042

Date/Time: 2012/04/13 CAD FILE: D/company drawings/BD SHEET: 1 OF 1