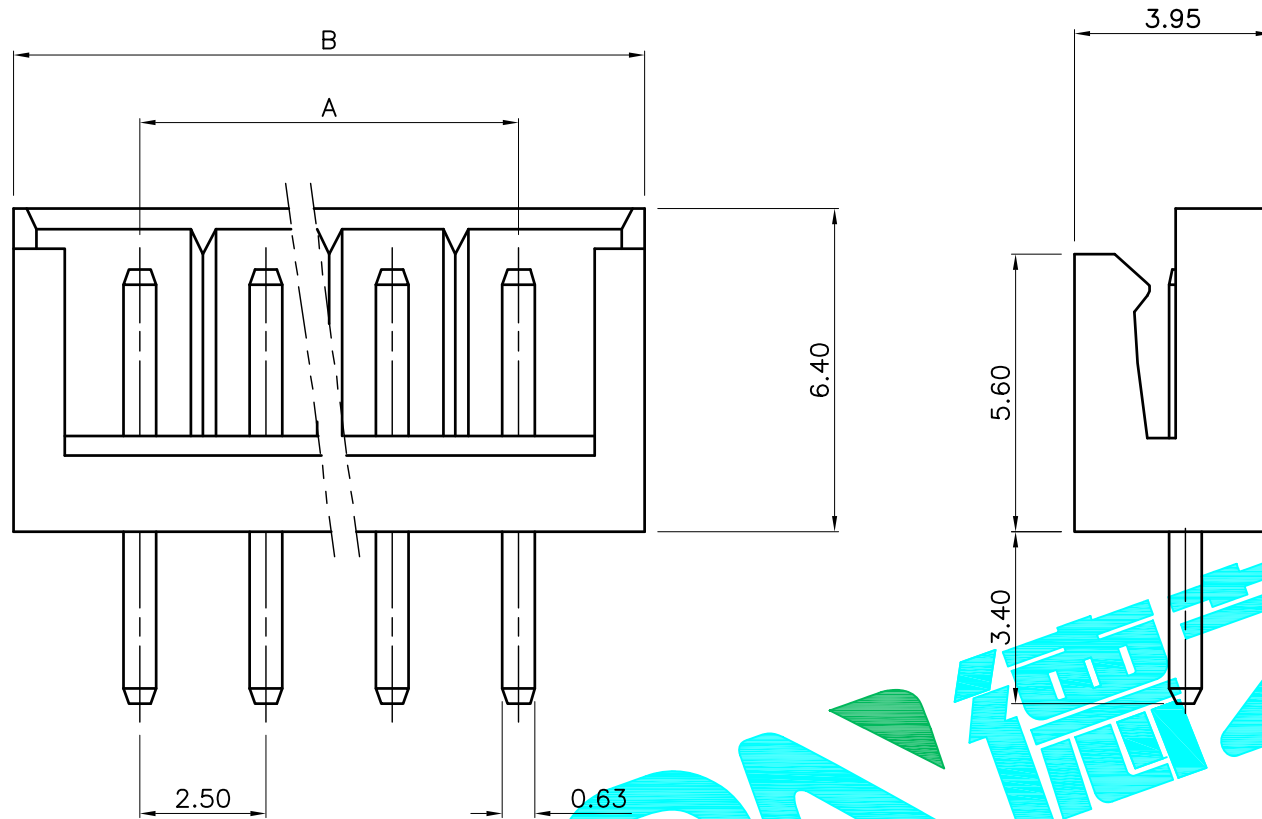


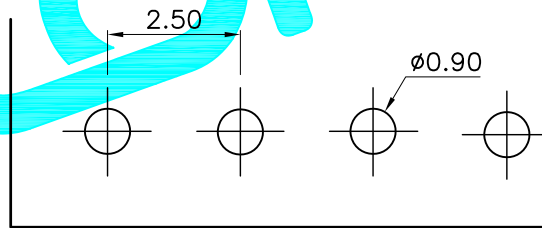
CAD FILE:



Part No.	Dimensions mm	
	A	B
2P	2.50	7.5
3P	5.00	10.00
4P	7.50	12.50
5P	10.00	15.00
6P	12.50	17.50
7P	15.00	20.00
8P	17.50	22.50
9P	20.00	25.00
10P	22.50	27.50
11P	25.00	30.00
12P	27.50	32.50
13P	30.00	35.00
14P	32.50	37.50
15P	35.00	40.00
16P	37.50	42.50

技术指标:

1. 塑件表面应光洁、无毛边、无明显收缩、缺陷、裂纹等现象.
2. 温度范围: $-25^{\circ}\text{C} \sim 85^{\circ}\text{C}$.
3. 额定电压: 50V, AC, DC.
4. 接触电阻: $\leq 0.02\Omega$.
5. 绝缘电阻: $\geq 100M\Omega$



P. C. B LAYOUT

APPROVALS		DATE	DEALON 德之隆® ELECTRONICS CO.,LTD		
DRAWN	G.M.Chen	2015/5/22	TITLE:	Connector	
CHECKED			PART NO.	A2502EH-XXP	
APPROVALS			UNIT: mm	SCALE: 1:1	SHEET 1 OF 1
TOLERANCES ARE			ANGLE	DRAWING NO.	PROJ:
30~以上	±0.30				
10~30	±0.20				
5~10	±0.15	±2'			
~ 5	±0.10				

ECN NO.	REV.	DATE.	DESCRIPTION.	CHANGE.	CHECK.	APPRO.
	A		NEW			