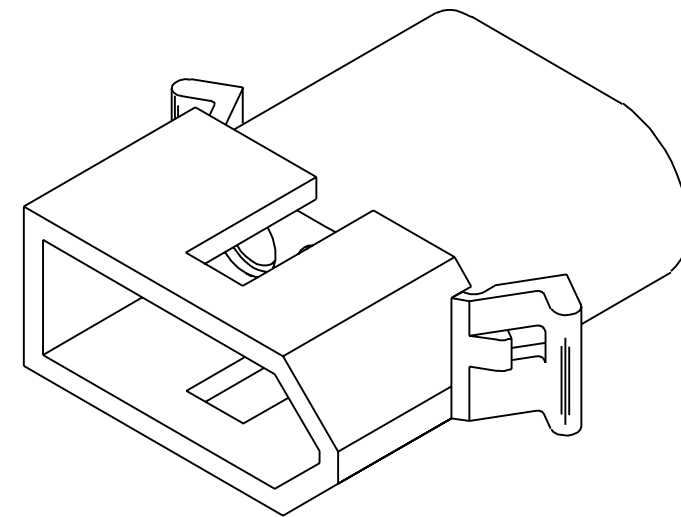
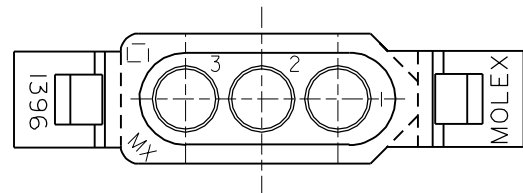
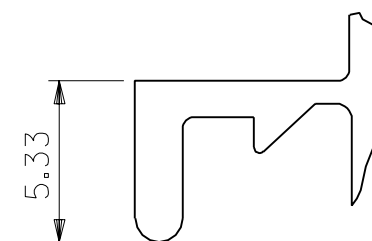
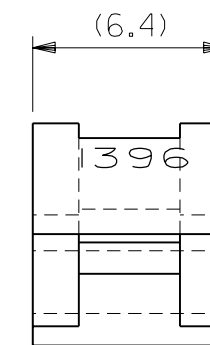
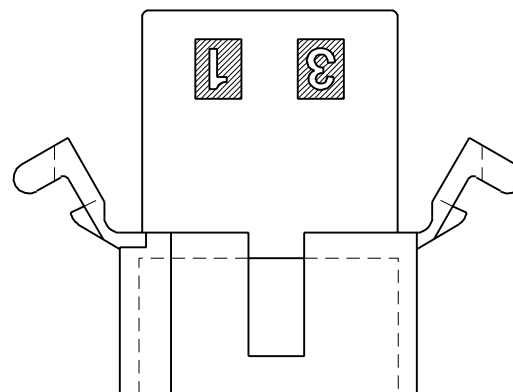
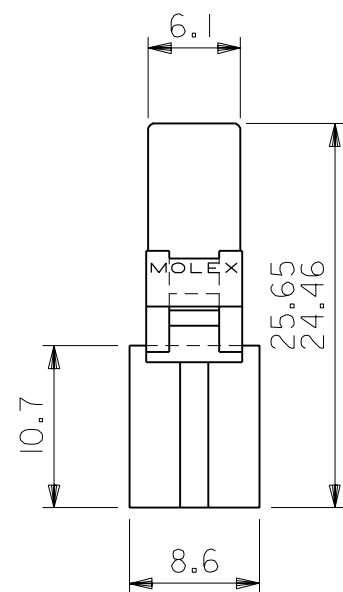
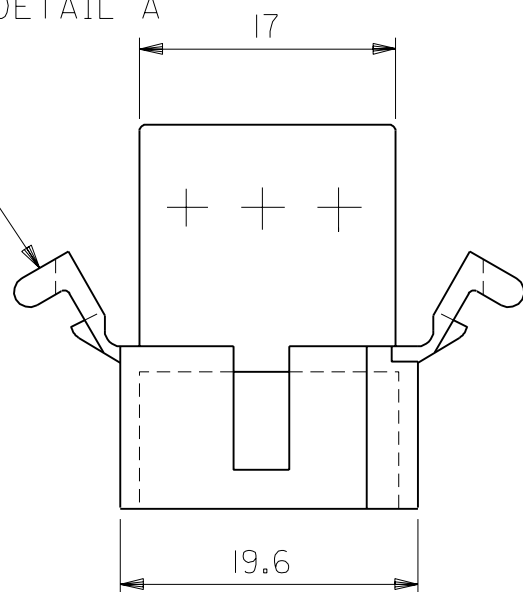


DWG. NO.
SD-1396-002

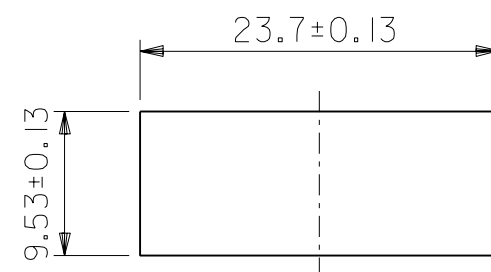
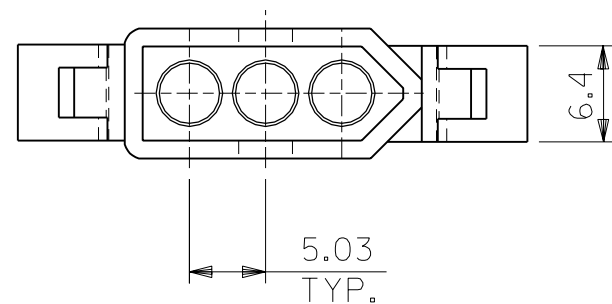


PLUG

MT'G EARS (表参照)
参照 DETAIL A



DETAIL A
(SCALE 4:1)



パネル取付穴寸法
(パネル厚 2.29最大)

1396P1	03-09-2032	無	WITHOUT
1396P	03-09-2031	有	WITH
ENG. NO.	EDP NO.	MT'G EARS	

DO NOT SCALE DRAWING

EC NO.	EC NO.	EC NO.	EC NO.
DRWN:	DRWN:	DRWN:	DRWN:
CHK:	CHK:	CHK:	CHK:
APPR:	APPR:	APPR:	APPR:

RELEASED
EC NO. JC2001-0078
DRWN: K.KOHAMA '00/08/28
CHK: T.YAMAGUCHI
APPR: M.FUKUSHIMA

MATERIAL 材料	NYLON66 94V-2
FINISH 仕上り	
WIRE RANGE 適用電線範囲	
INS. RANGE 被覆外径	

GENERAL TOLERANCES: (UNLESS SPECIFIED) 一般公差	SCALE 2 : 1
10 UNDER 未満	DESIGN UNITS <input checked="" type="checkbox"/> mm <input type="checkbox"/> INCH
10 OVER 30 UNDER 以上 未満	THIRD ANGLE PROJECTION
30 OVER 以上	
ANGLE 角度	

MODEL NO.	03-09-2***
DIMENSIONS:	<input type="checkbox"/> mm <input type="checkbox"/> INCH <input checked="" type="checkbox"/> mm ONLY
DRAWN BY & DATE	K.KOHAMA '00/08/28
CHECKED BY & DATE	T.YAMAGUCHI '00/08/28
APPROVED BY & DATE	M.FUKUSHIMA '00/08/28
CAD FILENAME	1396002.S01

TITLE:	3 CIRCUITS PLUG HSG (0.093 DIA TERMINAL)
MATERIAL NO.	SEE NOTES
DRAWING NO.	SD-1396-002
SHEET NO.	1 OF 1
THIS DRAWING CONTAINS INFORMATION THAT IS PROPRIETARY TO MOLEX INCORPORATED AND SHOULD NOT BE USED WITHOUT WRITTEN PERMISSION.	SIZE B