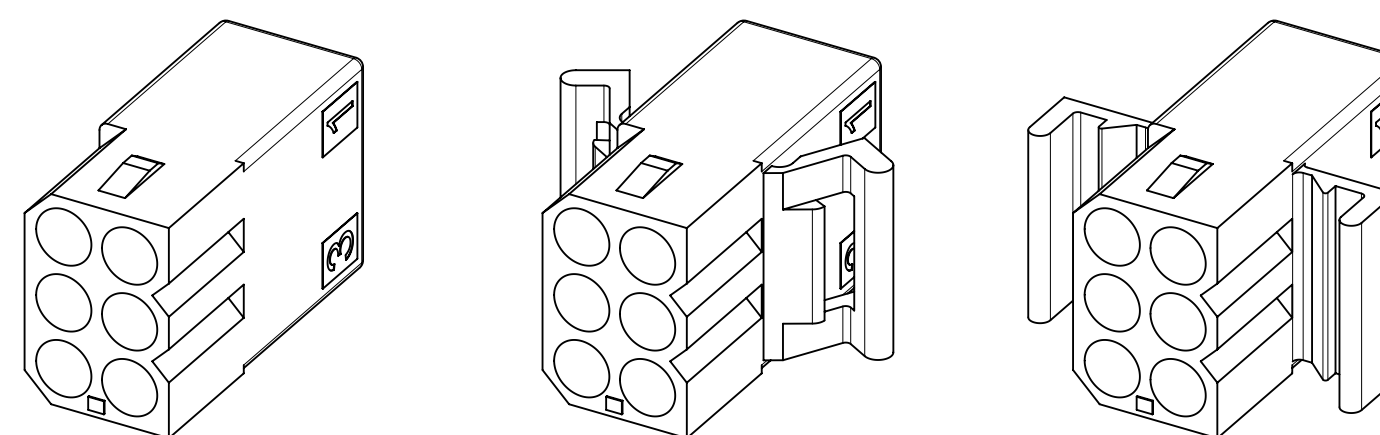
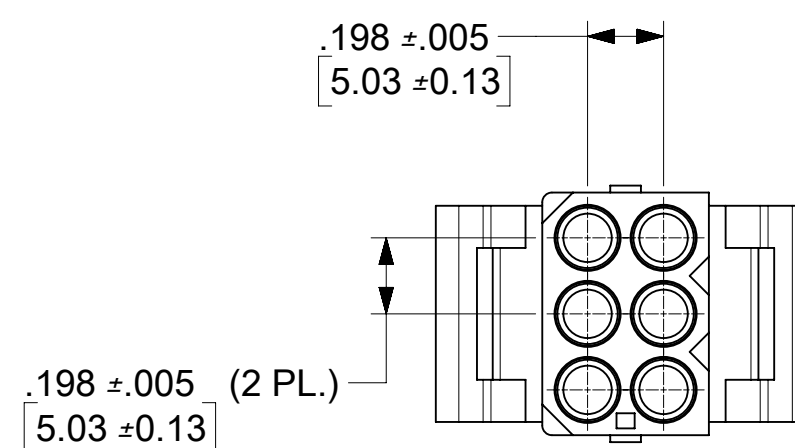
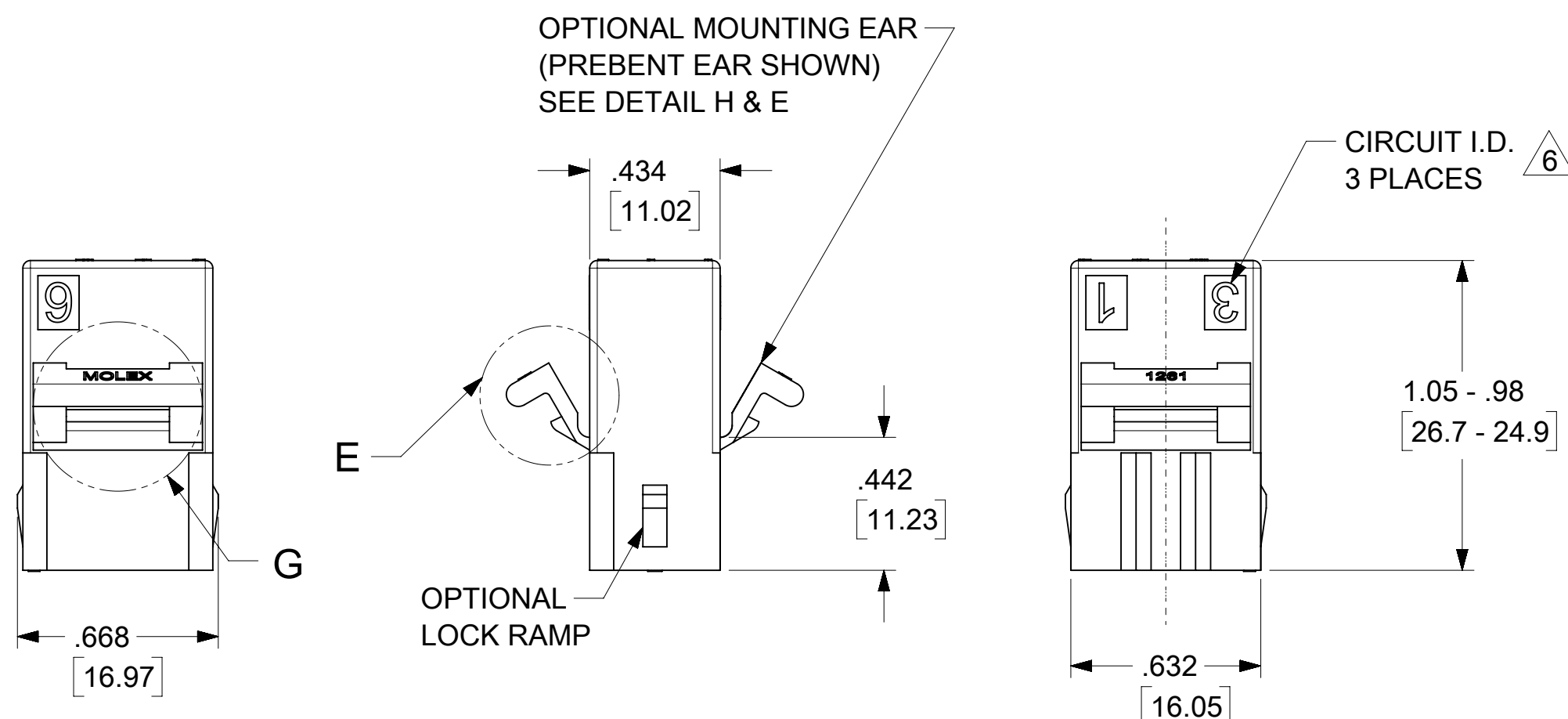
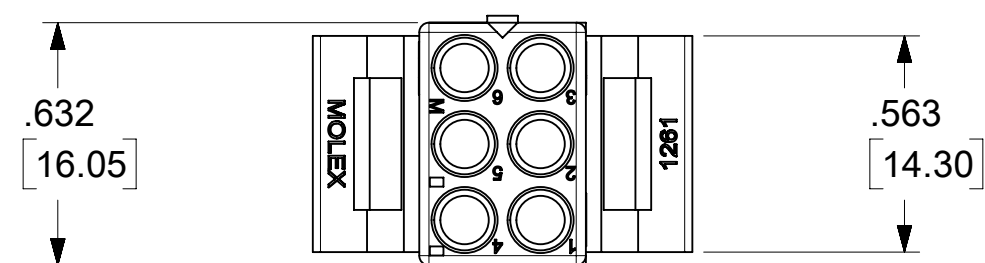


PLUG




PREBENT MOUNTING EARS

STANDARD MOUNTING EARS

RECEPTACLE

QUALITY SYMBOLS		THIS DRAWING CONTAINS INFORMATION THAT IS PROPRIETARY TO MOLEX ELECTRONIC TECHNOLOGIES, LLC AND SHOULD NOT BE USED WITHOUT WRITTEN PERMISSION				DIMENSION UNITS		SCALE		molex		
▽ = 0 ▽ = 0 ▽ = 0 ▽ = 0 ▽ = 0 ▽ = 0 ▽ = 0 ▽ = 0 ▽ = 0 ▽ = 0 ▽ = 0		GENERAL TOLERANCES (UNLESS SPECIFIED) MM INCH 4 PLACES ± ± 3 PLACES ± ± 0.007 2 PLACES ± 0.18 ± 0.01 1 PLACES ± 0.25 ± 0 PLACES ± ± ANGULAR TOL ± DRAFT WHERE APPLICABLE MUST REMAIN WITHIN DIMENSIONS				IN/MM		2:1				
UPDATE VIEWS EC NO: 114311 DRWN: MKIPPER CHKD: JDFOX REV APPR: FSMITH		DRWN BY: BAPPELDORN DATE: 2017/01/11 CHK'D BY: MKIPPER DATE: 2017/01/11 APPR BY: FSMITH DATE: 2017/01/18				DRAWING SIZE		THIRD ANGLE PROJECTION		PRODUCT CUSTOMER DRAWING		
A1		C				C		C		SERIES: 1261 MATERIAL NUMBER: SEE CHART CUSTOMER: GENERAL MARKET DOCUMENT NUMBER: 12610000-SD DOC TYPE: PSD DOC PART: 000 SHEET NUMBER: 1 OF 2		

PLUG	
PART NO.	ENG. NO.
03-09-2061	1261-P 
03-09-2062	1261-P1

RECEPTACLE	
PART NO.	ENG. NO.
03-09-1061	1261-R
03-09-1062	1261-R1
03-09-1063	1261-R2
03-09-1064	1261-R3
46999-0809	1261-R4
46999-0810	1261-R5

LEGEND: PLUG

1261 - P * * * - * * *

P = PLUG

BLANK = PLUG WITH PREBENT MOUNTING EARS
1 = PLUG WITHOUT MOUNTING EARS

COLOR: BLANK = NATURAL COLOR
AM= AMBER BK= BLACK BU= BLUE
BN= BROWN GY= GRAY GN= GREEN
OR= ORANGE RD= RED YW= YELLOW

MATERIAL: BLANK = NYLON 6/6, UL94V-2

LEGEND: RECEPTACLE

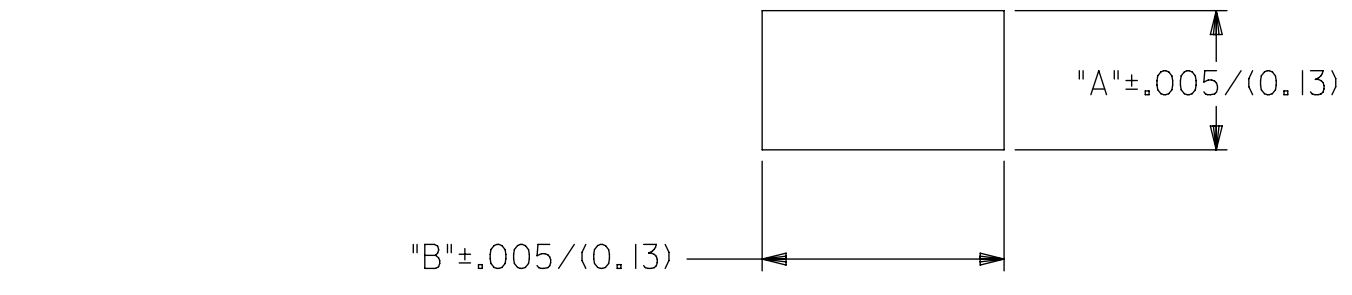
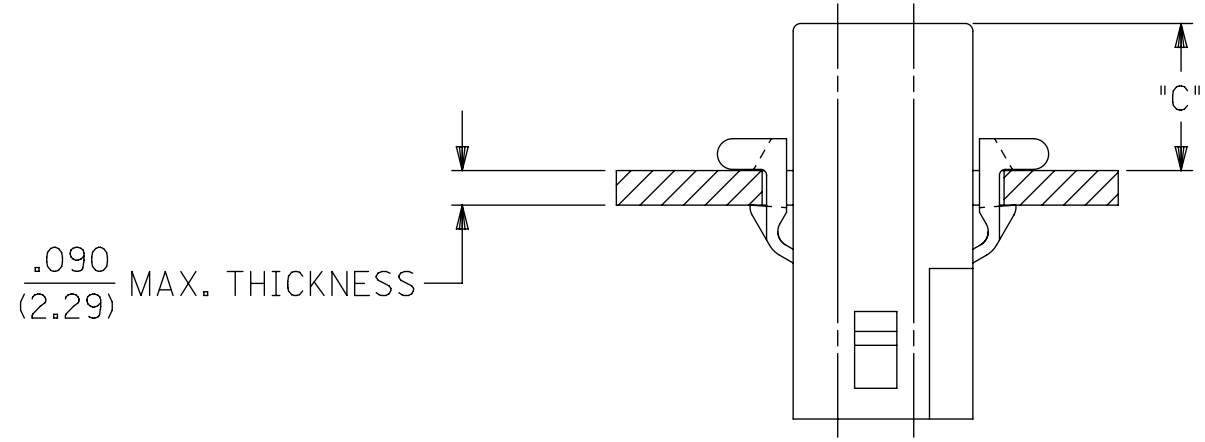
1261 - R * * * - * * *

R = RECEPTACLE

BLANK = WITH STD. MOUNTING EARS, WITH LOCK RAMP
1 = WITH STD. MOUNTING EARS, WITHOUT LOCK RAMP
2 = WITHOUT MOUNTING EARS, WITHOUT LOCK RAMP
3 = WITHOUT MOUNTING EARS, WITH LOCK RAMP
4 = WITH PREBENT MOUNTING EARS, WITH LOCK RAMP
5 = WITH PREBENT MOUNTING EARS, WITHOUT LOCK RAMP

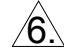
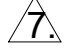
COLOR: BLANK = NATURAL COLOR
AM= AMBER BK= BLACK BU= BLUE
BN= BROWN GY= GRAY GN= GREEN
OR= ORANGE RD= RED YW= YELLOW

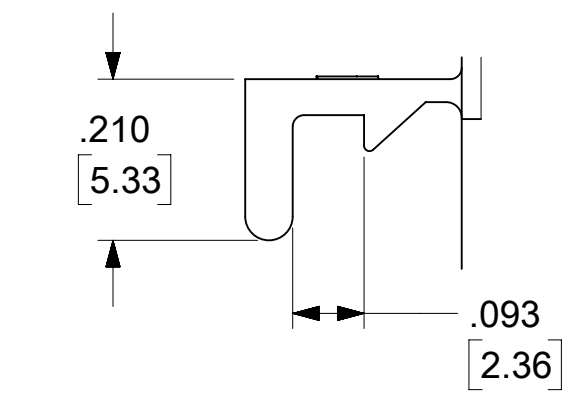
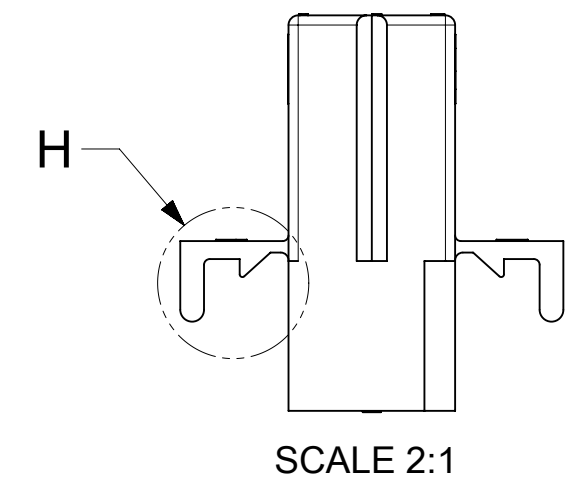
MATERIAL: BLANK = NYLON 6/6, UL94V-2



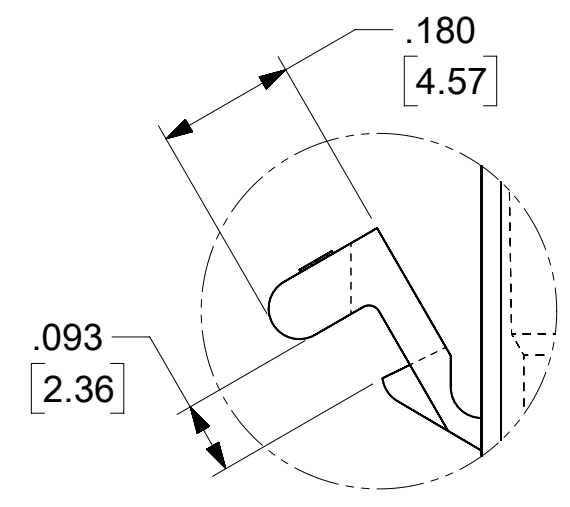
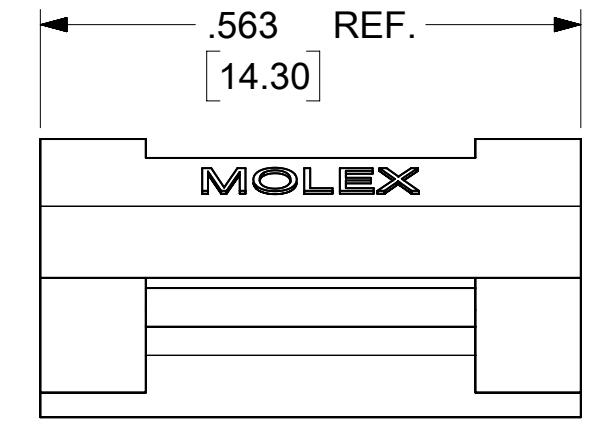
MOUNTING HOLE CUTOUT

HOUSING	DIM. "A"	DIM. "B"	DIM. "C" (STD. EAR)	DIM. C (PREBENT)
PLUG	.750/(19.05)	.695/(17.65)	.39/(9.9)	.40/(10.1)
RECEPTACLE	.718/(18.24)	.600/(15.24)	.40/(10.1)	.41/(10.3)

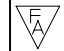


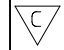
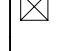
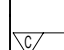


- NOTES:
1. MATERIAL: SEE LEGEND
 2. FINISH: NONE
 3. PRODUCT SPECIFICATION: PS-43660-9999
 4. PACKAGING INFORMATION: PK-1261-001
 5. HOUSINGS FOR USE WITH MOLEX .093/(2.36) PIN AND SOCKET TERMINALS.
 6.  CIRCUIT I.D. NUMBERS ON SIDE OF HOUSING APPEAR ON PARTS FROM TOOLS BUILT AFTER 9/3/91.
 7.  WHERE DENOTED IN CHART, TOOLS ARE BUILT WITH PREBENT MOUNTING EARS PER DETAIL E AND SUPERSEDE ALL TOOLS PREVIOUSLY BUILT WITH THE STANDARD MOUNTING EARS.
 8. TEXT AND CIRCUIT IDENTIFIERS ARE SHOWN IN APPROXIMATE LOCATION BUT MAY VARY TO ACCOMODATE TOOLING.
 9. THIS PART CONFORMS TO CLASS B REQUIREMENTS OF COSMETIC SPECIFICATION PS-45499-002.
 10. THIS DRAWING REPLACES SD-1261-*



DETAIL H
SCALE 4:1
.093/(2.36) STANDARD MOUNTING EAR



DETAIL E
SCALE 4:1
.093/(2.36) PREBENT MOUNTING EAR

QUALITY SYMBOLS  = 0  = 0  = 0  = 0  = 0  = 0  = 0	THIS DRAWING CONTAINS INFORMATION THAT IS PROPRIETARY TO MOLEX ELECTRONIC TECHNOLOGIES, LLC AND SHOULD NOT BE USED WITHOUT WRITTEN PERMISSION				DIMENSION UNITS IN/MM		SCALE 1:1				
	GENERAL TOLERANCES (UNLESS SPECIFIED)		DRWN BY BAPPELDORN		DATE 2017/01/11		.093/2.36 PLUG AND RECEPTACLE HOUSING				
	4 PLACES ± ±		CHK'D BY MKIPPER		DATE 2017/01/11						
	3 PLACES ± ± 0.007		APPR BY FSMITH		DATE 2017/01/18					PRODUCT CUSTOMER DRAWING	
2 PLACES ± 0.18 ± 0.01		DRAWING SIZE C		THIRD ANGLE PROJECTION		SERIES MATERIAL NUMBER CUSTOMER 1261 SEE CHART GENERAL MARKET					
1 PLACES ± 0.25 ±		ANGULAR TOL ±		DRAFT WHERE APPLICABLE MUST REMAIN WITHIN DIMENSIONS		DOCUMENT NUMBER 12610000-SD			DOC TYPE DOC PART SHEET NUMBER PSD 000 2 OF 2		
0 PLACES ± ±		EC NO: 114311 DRWN: MKIPPER CHKD: JDOX REV APPR: FSMITH		UPDATE VIEWS 2017/03/09 2017/04/06 2017/04/07		A1					