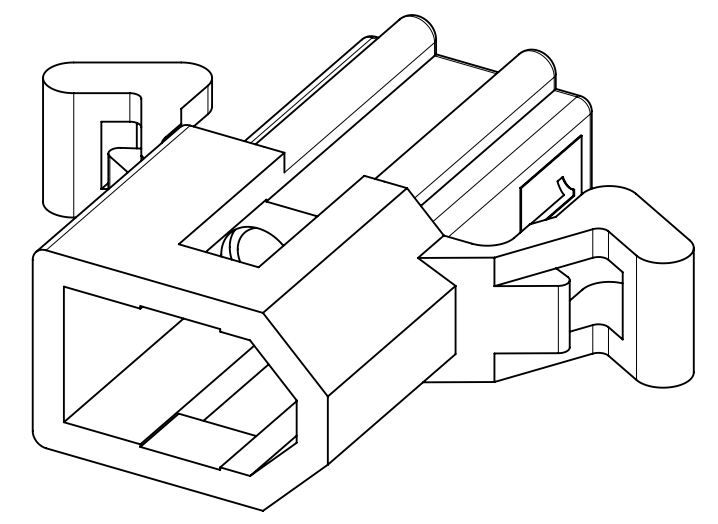
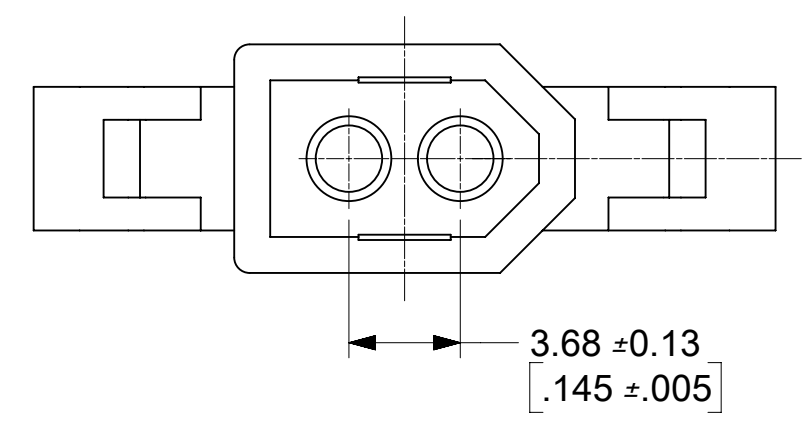
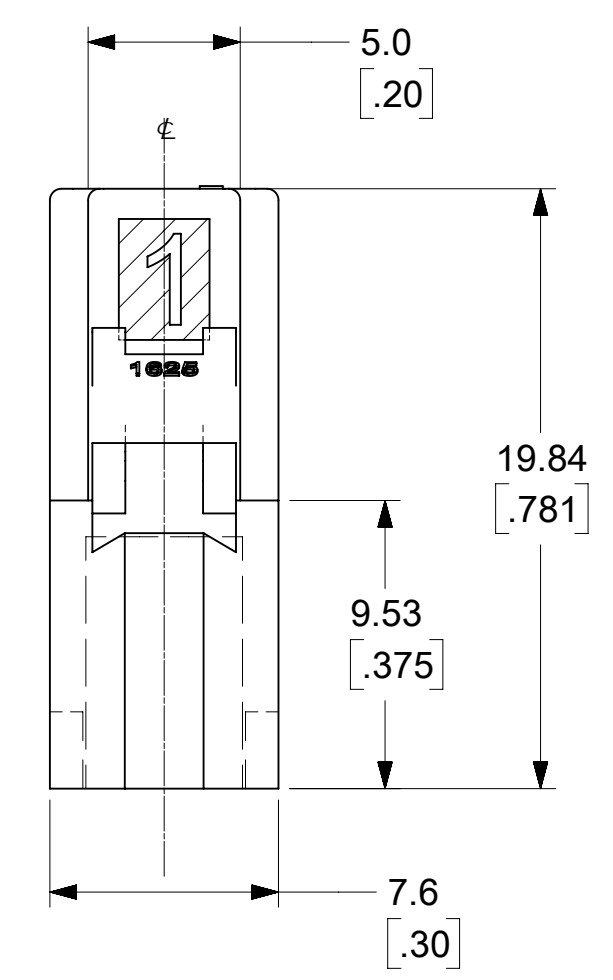
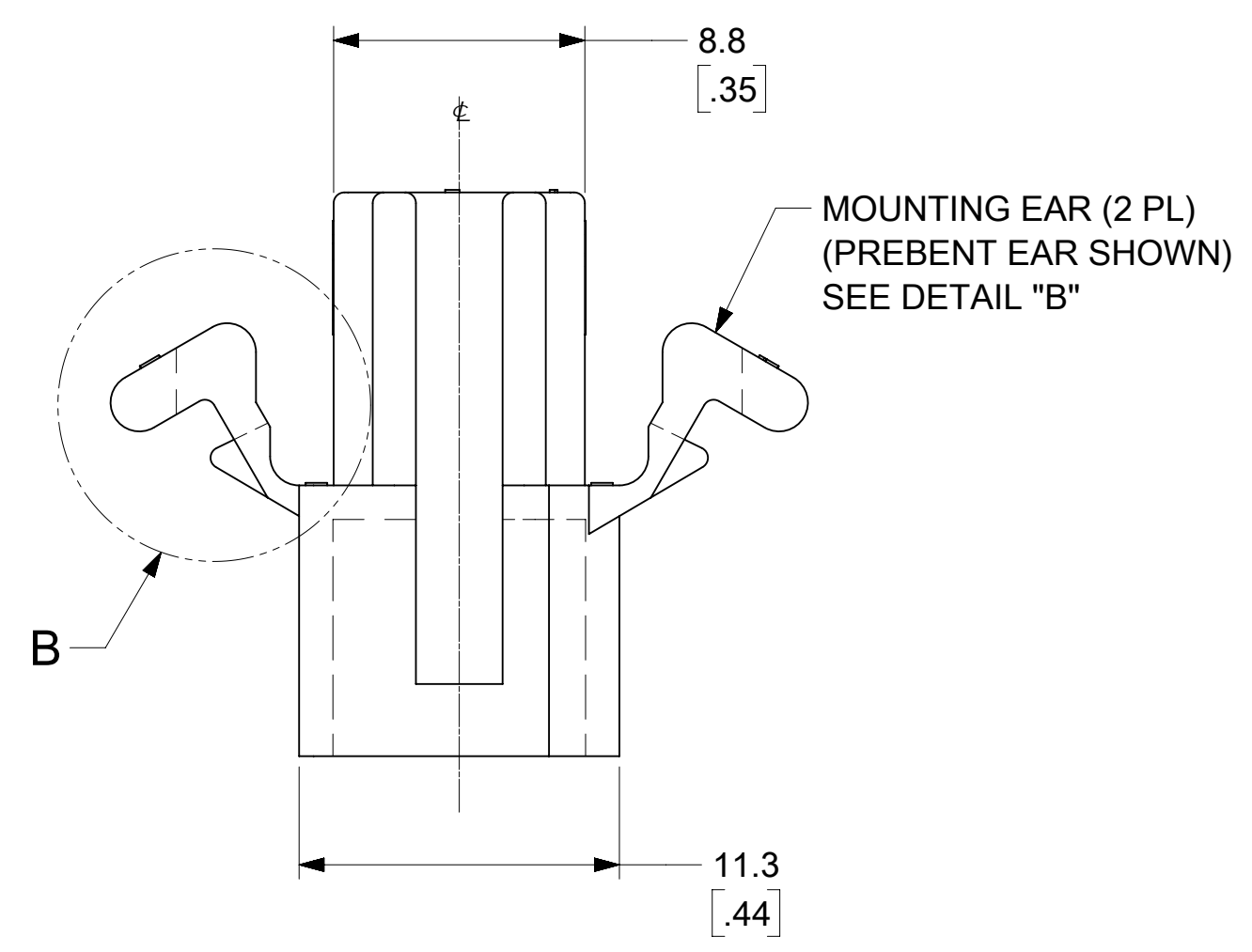
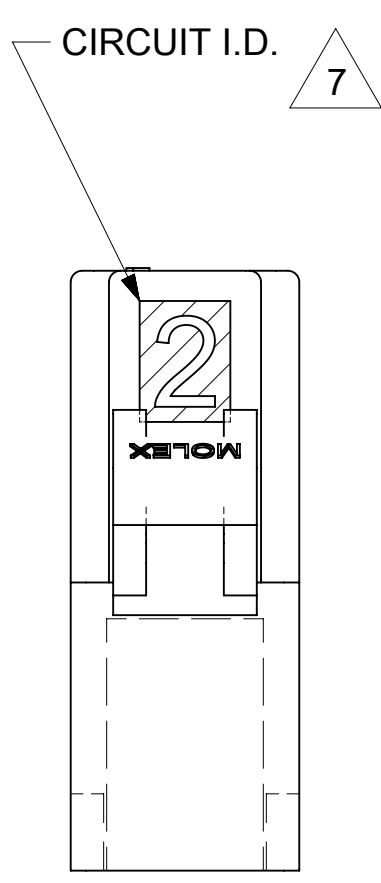


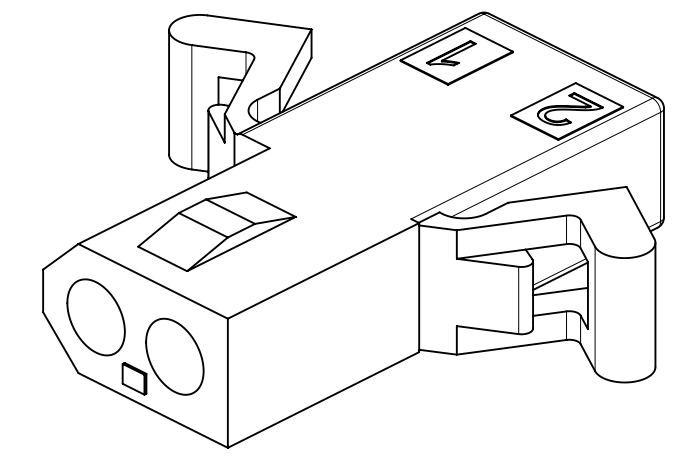
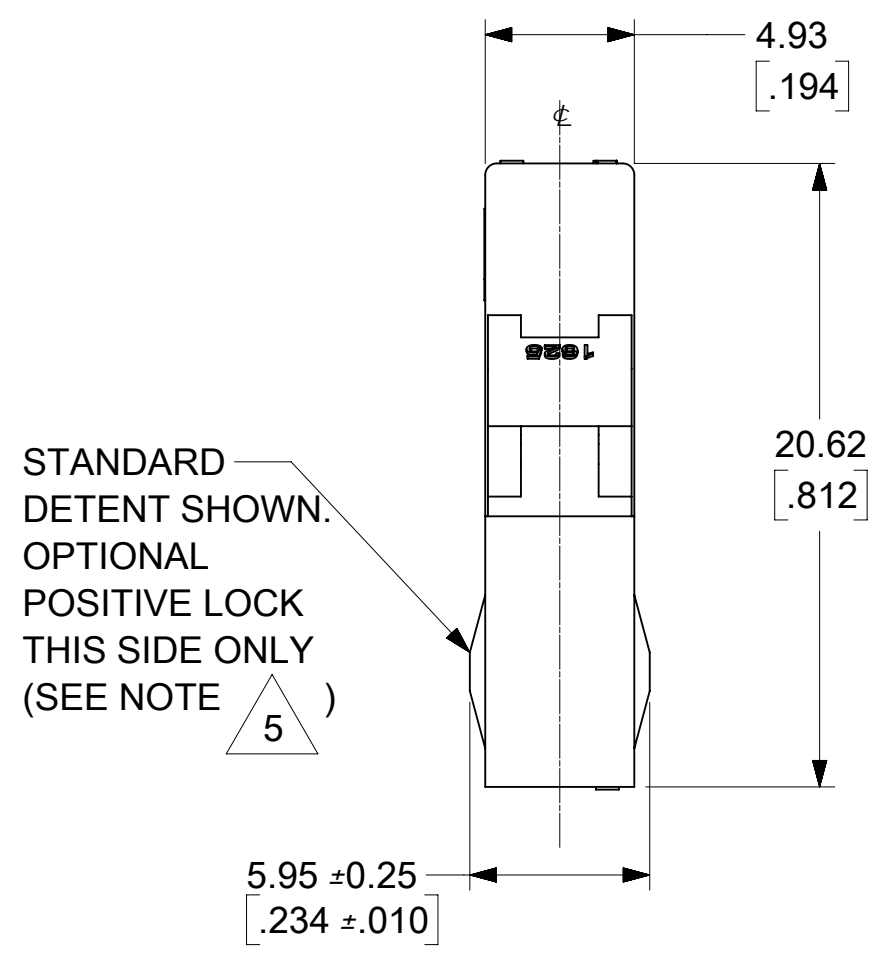
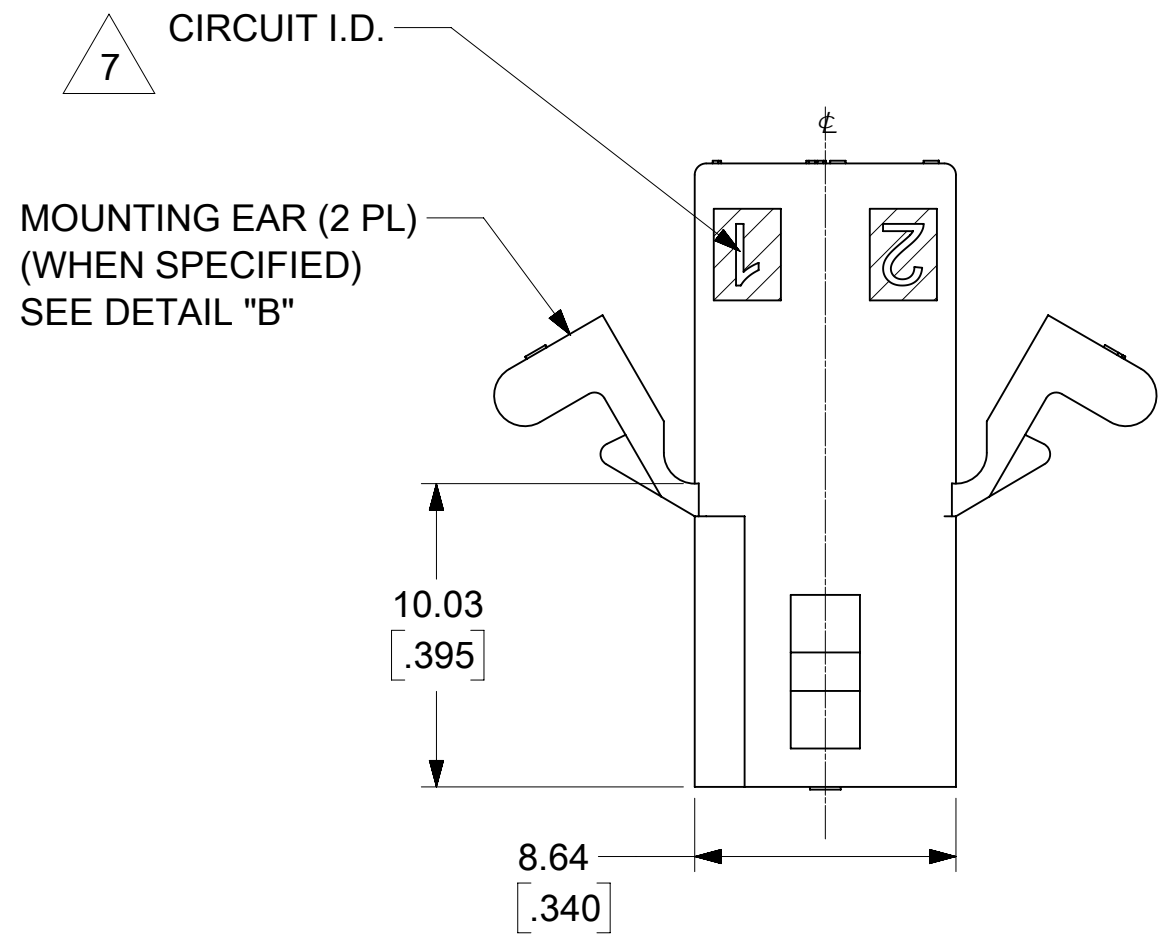
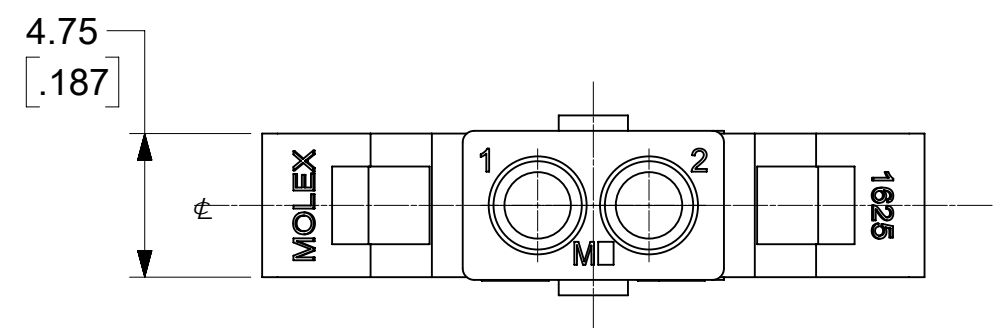
PLUG HOUSING WITH NO EARS



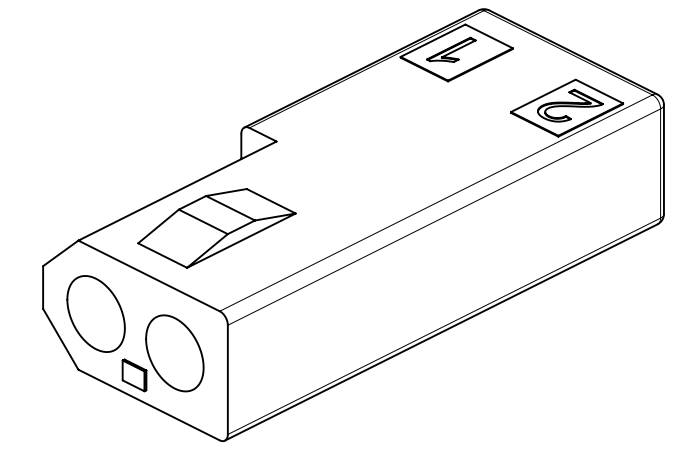
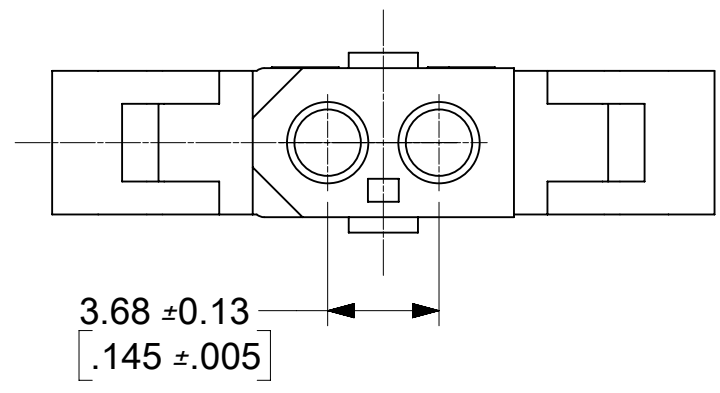
PLUG HOUSING WITH PREBENT EARS



THIS DRAWING CONTAINS INFORMATION THAT IS PROPRIETARY TO MOLEX ELECTRONIC TECHNOLOGIES, LLC AND SHOULD NOT BE USED WITHOUT WRITTEN PERMISSION														
QUALITY SYMBOLS	0 = 0 0 = 0 0 = 0 0 = 0 0 = 0 0 = 0 0 = 0 0 = 0 0 = 0 0 = 0	REDRAWING IN NX EC NO: 120335 DRWN: MKIPPER CHKD: MKIPPER REV / APPR: FSMITH	GENERAL TOLERANCES (UNLESS SPECIFIED)		DIMENSION UNITS	SCALE								
			MM	INCH	MM/IN	4:1								
					DRWN BY	DATE	.062 2CKT PLUG AND RECEPTACLE HOUSING							
					ZHARPER	2017/06/20								
					CHK'D BY	DATE	PRODUCT CUSTOMER DRAWING							
					MKIPPER	2017/06/20								
					APPR BY	DATE	SERIES: 1625 MATERIAL NUMBER: SEE CHART CUSTOMER:							
					FSMITH	2017/06/30								
					ANGULAR TOL = 1.0		DRAWING SIZE	THIRD ANGLE PROJECTION 						
					DRAFT WHERE APPLICABLE MUST REMAIN WITHIN DIMENSIONS		C							
RELEASE STATUS		P1	RELEASE DATE	10.08.2017	20:12:36	DOCUMENT NUMBER		16250200-SD	DOC TYPE	PSD	DOC PART	000	SHEET NUMBER	1 OF 3



RECEPTACLE HOUSING  
(1625-2R2 SHOWN)



RECEPTACLE HOUSING  
(1625-2R3 SHOWN)

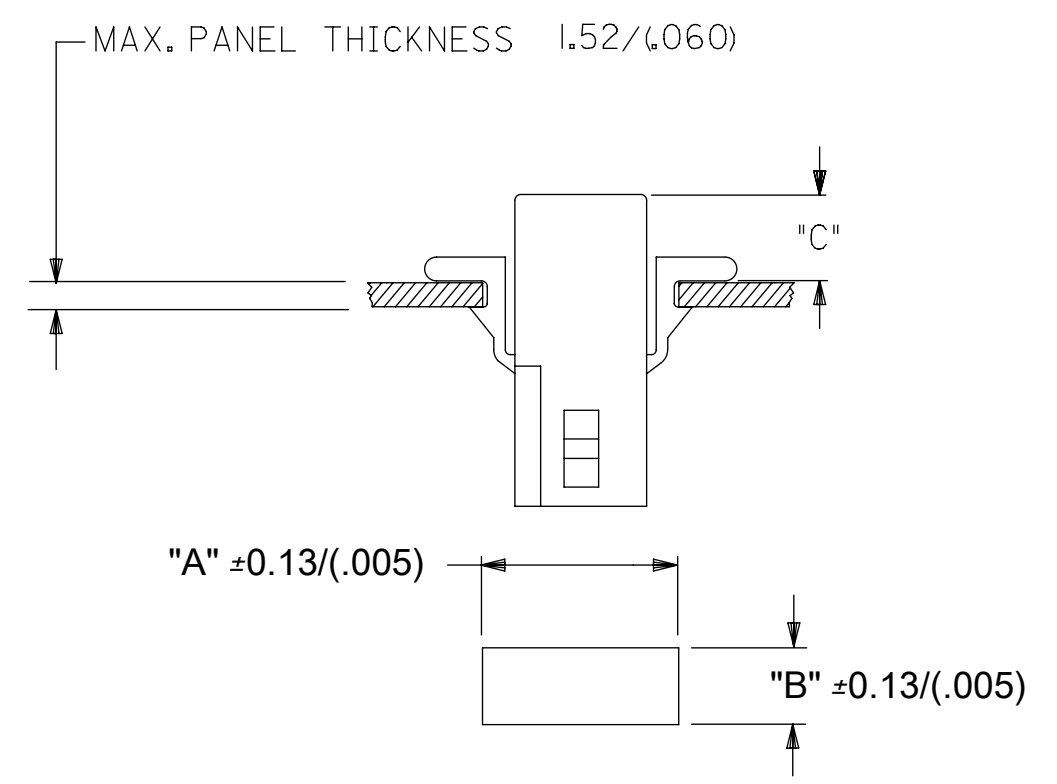
QUALITY SYMBOLS		THIS DRAWING CONTAINS INFORMATION THAT IS PROPRIETARY TO MOLEX ELECTRONIC TECHNOLOGIES, LLC AND SHOULD NOT BE USED WITHOUT WRITTEN PERMISSION													
▽ = 0	REDRAWING IN NX EC NO: 120335 DRWN: MKIPPER CHKD: MKIPPER REV / APPR: FSMITH	GENERAL TOLERANCES (UNLESS SPECIFIED)				DIMENSION UNITS		SCALE							
▽ = 0						MM/IN		4:1							
▽ = 0						DRWN BY		DATE		.062 2CKT PLUG AND RECEPTACLE HOUSING  PRODUCT CUSTOMER DRAWING					
▽ = 0						ZHARPER		2017/06/20							
▽ = 0						CHK'D BY		DATE							
▽ = 0						MKIPPER		2017/06/20							
▽ = 0						APPR BY		DATE		SERIES MATERIAL NUMBER CUSTOMER 1625 SEE CHART					
▽ = 0						FSMITH		2017/06/30		DOCUMENT NUMBER DOC TYPE DOC PART SHEET NUMBER 16250200-SD PSD 000 2 OF 3					
▽ = 0						ANGULAR TOL = 1.0		DRAWING SIZE		THIRD ANGLE PROJECTION					
▽ = 0						DRAFT WHERE APPLICABLE MUST REMAIN WITHIN DIMENSIONS		C							
▽ = 0															

PLUG	
PART NO.	ENG. NO.
03-06-7023	1625-2P1BK
03-06-2023	1625-2P1
03-06-2024	1625-2P2

**PLUG LEGEND:**  
 1625-2P \*\*  
 CIRCUIT SIZE  
 P = PLUG  
 1 = WITHOUT MOUNTING EARS  
 2 = WITH PREBENT MOUNTING EARS  
 BLANK = NATURAL  
 BK = BLACK

RECEPTACLE	
PART NO.	ENG. NO.
03-06-6023	1625-2R1BK
03-06-1023	1625-2R1
03-06-1022	1625-2R2

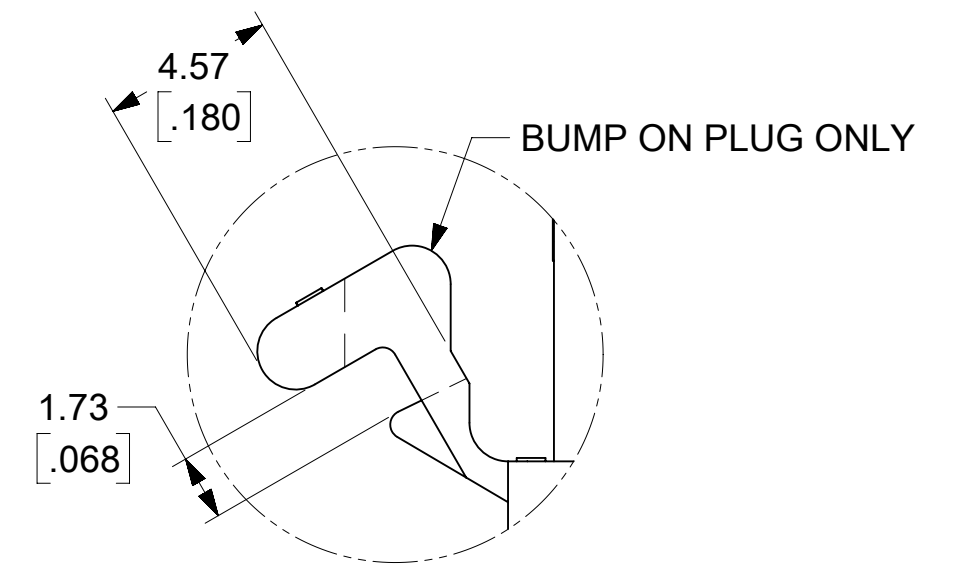
**RECEPTACLE LEGEND:**  
 1625-2R \*\*  
 CIRCUIT SIZE  
 R = RECEPTACLE  
 1 = WITHOUT MOUNTING EARS; WITH DETENTS  
 2 = WITH PREBENT MOUNTING EARS; WITH DETENTS  
 BLANK = NATURAL  
 BK = BLACK



"A"  $\pm 0.13/(.005)$   
 "B"  $\pm 0.13/(.005)$   
 "C"

**RECOMMENDED HOLE PATTERN**  
 (NOT TO SCALE)

HOUSING	DIM. "A"	DIM. "B"	PREBENT EAR DIM. "C"	STD. EAR DIM. "C"
PLUG	15.47 [.609]	8.08 [.318]	6.0 [.24]	6.1 [.24]
RECEPTACLE	12.83 [.505]	6.73 [.265]	6.4 [.25]	6.4 [.25]



**DETAIL B**  
 SCALE 5:1

- NOTES:**
1. MATERIAL - NYLON TYPE 6/6, 94V-2
  2. FINISH: NONE
  3. PRODUCT SPECIFICATION: PS-02-06
  4. PACKAGING SPECIFICATION: PK-1625-003.
  5. HOUSING FOR USE WITH MOLEX .062/(1.57) DIA. SERIES TERMINALS.
  6. CIRCUIT I.D. NUMBERS ON SIDE OF HOUSING APPEAR ON PARTS FROM TOOLS BUILT AFTER 07/01/1991.
  7. THIS PART CONFORMS TO CLASS B REQUIRMENTS OF COSMETIC SPECIFICATION PS-45499-002.
  8. THIS DRAWING REPLACES SD-1625-2\*.

<b>QUALITY SYMBOLS</b> 	THIS DRAWING CONTAINS INFORMATION THAT IS PROPRIETARY TO MOLEX ELECTRONIC TECHNOLOGIES, LLC AND SHOULD NOT BE USED WITHOUT WRITTEN PERMISSION				
	<b>REDRAWING IN NX</b> EC NO: 120335 DRWN: MKIPPER CHKD: MKIPPER REV / APPR: FSMITH	GENERAL TOLERANCES (UNLESS SPECIFIED) MM/IN 4 PLACES $\pm$ $\pm$ 3 PLACES $\pm$ $\pm 0.007$ 2 PLACES $\pm 0.18$ $\pm 0.01$ 1 PLACES $\pm 0.25$ $\pm$ 0 PLACES $\pm$ $\pm$		DIMENSION UNITS <b>MM/IN</b>	SCALE <b>4:1</b>
		DRWN BY: ZHARPER DATE: 2017/06/20		CHK'D BY: MKIPPER DATE: 2017/06/20	
		APPR BY: FSMITH DATE: 2017/06/30		DRAWING SIZE: <b>C</b> THIRD ANGLE PROJECTION	
DRAFT WHERE APPLICABLE MUST REMAIN WITHIN DIMENSIONS		<b>molex®</b> .062 2CKT PLUG AND RECEPTACLE HOUSING			
<b>PRODUCT CUSTOMER DRAWING</b>		SERIES: 1625	MATERIAL NUMBER: SEE CHART	CUSTOMER:	
DOCUMENT NUMBER: 16250200-SD		DOC TYPE: PSD	DOC PART: 000	SHEET NUMBER: 3 OF 3	