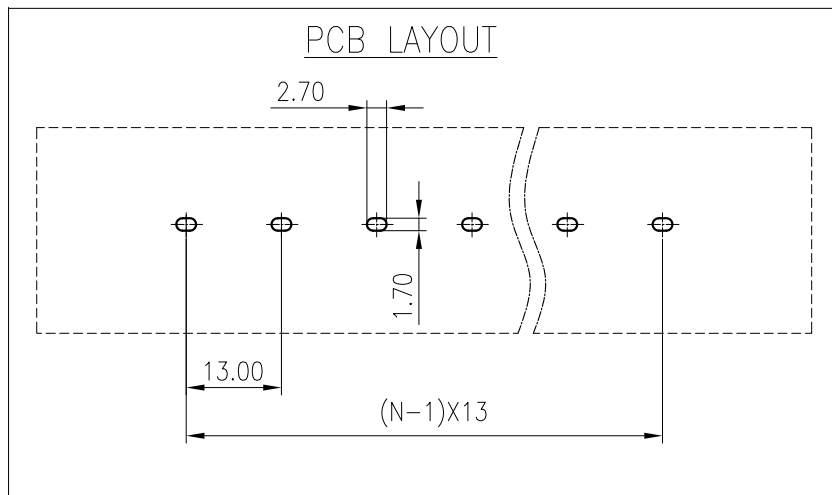
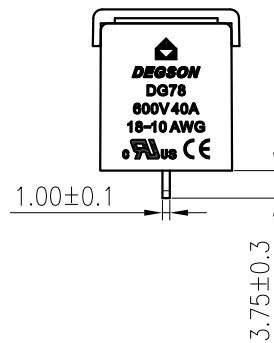
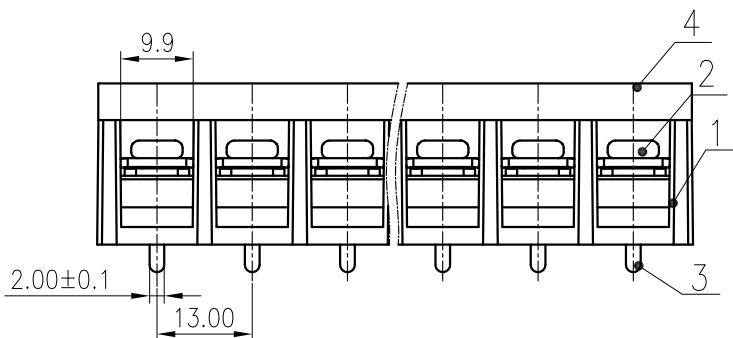
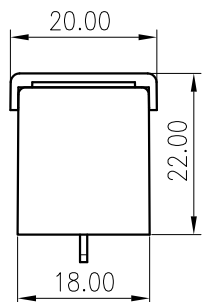
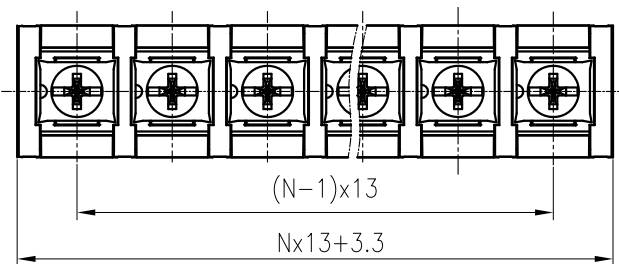


未注公差/General tolerances(mm)												0.1/10	
0	>3	>6	>10	>18	>30	>50	>80	>120	>180	>250	>315		>400
~3	~6	~10	~18	~30	~50	~80	~120	~180	~250	~315	~400	>500	
±0.12	±0.18	±0.22	±0.26	±0.31	±0.37	±0.57	±0.80	±0.93	±1.05	±1.15	±1.60	±2.20	±2.50

Without Cover



ITEM	NAME OF PART	MATERIAL	NOTES
4	Cover	PC	UL94V-2
3	Pin header	Copper alloy	M4/Sn plated
2	Screw	Steel	M4/Ni plated
1	Housing	PA66	UL94V-0
JL 标准/UL Standard:		B	C
额定电压/电流/Rated Voltage(V)/Current(A)		600/40	600/40
IEC 标准/IEC Standard:		D	
过压类别/Overvoltage Category/污染等级/Pollution Degree		III/3	III/2
额定电压/电流/Rated Voltage(V)/Current(A)		1000/41	1000/41
额定脉冲电压(KV)/Rate Impulse Voltage(KV)		8	8
螺丝扭矩/Torque Tightening(N·m/Lb.in)		M4, 1.16/10.5	
线径范围(硬线和软线)/Wire Range(rigid and flexible)(mm <sup>2</sup> /AWG)		0.75~6/18~10	
间距/Pitch(mm)/线数范围/Poles		13/N=02~20P	
剥线长度/Stripping length(mm)		9~10	
使用温度范围/Operating temperature(°C)		-40~+105	
符合RoHS环保要求/Conform to RoHS		Yes	

MATERIAL: /	SURFACE: /		
MAT NO.: /	宁波高松电子有限公司 NINGBO DEGSON ELECTRICAL CO., LTD		
STATUS: /			
APPD:	NAME: DG78C-B-XXP-1Y-00A(H)		
CHKD:	DRAWING NO.: DG78C-C02		
DRFT: XieXD 2020.06.15	REV		TO
REV	ECN	DESCRIPTION	DRFT
⊕	SIZE: A4	TYPE: CUSTOMER DRAWING	SCALE: 1:1 SHEET 1/1