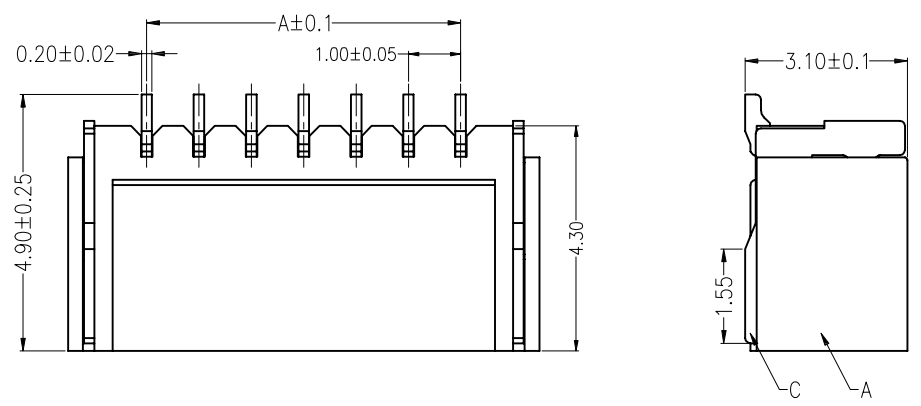
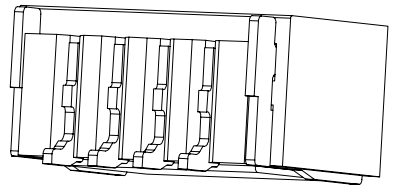
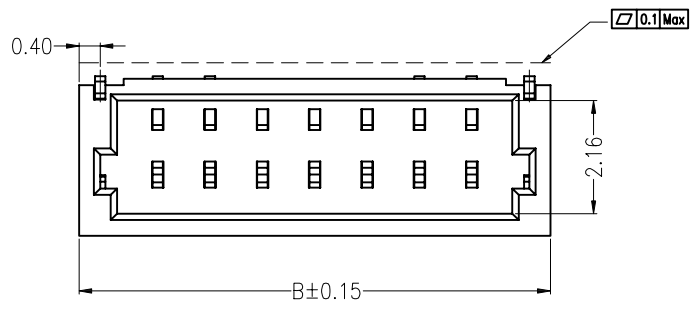


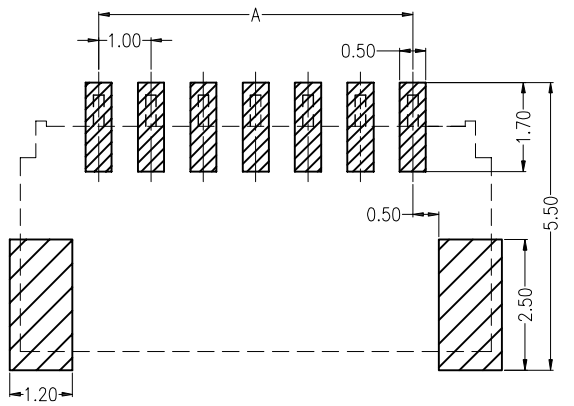
| REV. | ECN NO. | DESCRIPTION | DATE | DESIGN |
|------|---------|-------------|------|--------|
| A | | | | |



Specifications:
 Current rating:1A AC/DC.
 Voltage rating:50V AC/DC
 Temperature range:-40°C~+105°C.
 Contact resistance:20MΩ Max.
 Insulation resistance:100MΩ Min.
 Withstanding voltage: 500V AC/minute.
 Material:LCP/PA9T.UL94V-0.



| PART NO. | Dimensions | |
|---------------|------------|-------|
| | A | B |
| A1001WR-S-02P | 1.00 | 4.00 |
| A1001WR-S-03P | 2.00 | 5.00 |
| A1001WR-S-04P | 3.00 | 6.00 |
| A1001WR-S-05P | 4.00 | 7.00 |
| A1001WR-S-06P | 5.00 | 8.00 |
| A1001WR-S-07P | 6.00 | 9.00 |
| A1001WR-S-08P | 7.00 | 10.00 |
| A1001WR-S-09P | 8.00 | 11.00 |
| A1001WR-S-10P | 9.00 | 12.00 |
| A1001WR-S-11P | 10.00 | 13.00 |
| A1001WR-S-12P | 11.00 | 14.00 |
| A1001WR-S-13P | 12.00 | 15.00 |
| A1001WR-S-14P | 13.00 | 16.00 |
| A1001WR-S-15P | 14.00 | 17.00 |
| A1001WR-S-16P | 15.00 | 18.00 |



P. C. B LAYOUT

CNJM Joint More Precision electronics Co.,Ltd.

| | | | |
|-------------|------------|--------------|---------------------|
| DRAW NO: | DATE: | P/N NO: | DRAW NAME: |
| DESIGN: 陈雪峰 | 2017.06.03 | A1001WR-S-NP | 1.0mm pitch 90° SMT |
| CHECK: 杨焯 | | | |
| REVIEW: | | REV.A/1 | SCALE 1:1 |
| | | UNIT: mm | SHEET: 1 OF 1 |

| DIM | TOL | DIM | TOL |
|-------|------|--------|-----|
| X. | / | X* | / |
| X.X | 0.25 | X.X* | |
| X.XX | 0.15 | X.XX* | |
| X.XXX | 0.10 | X.XXX* | / |