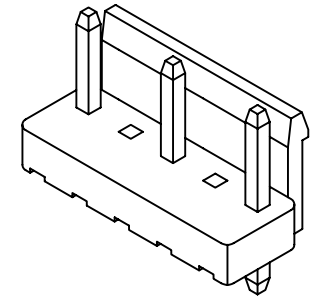
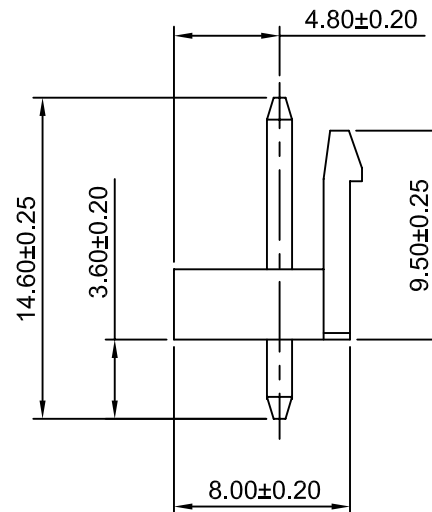
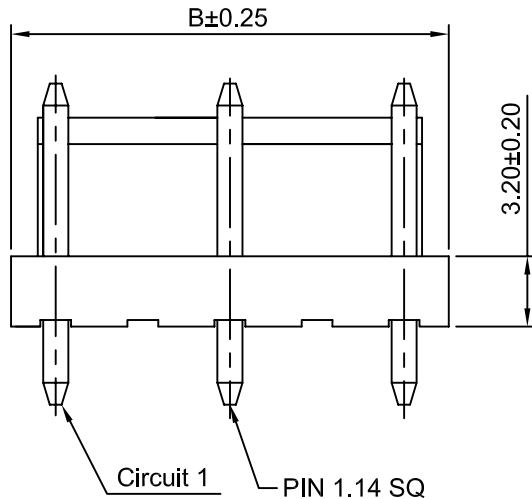


P.C.B LAYOUT



Ordering Information:

A3963WV-XP-A - ^{***}/₂ - ^{**}/₃

1.Part No.

2.Material:

(blank);Nylon 66,UL94V-0

GWT:Nylon 66,UL94V-0,GWT 750°C

3.Color:

(blank);White

RD:Red

SPECIFICATIONS:

Current Rating: 10A AC,DC(AWG #16)

Voltage Rating: 250V AC,DC

Temperature Range: -40°C ~ +105°C

Contact Resistance: 10mΩ Max

Insulation Resistance: 1000MΩ Min

Withstanding Voltage: 1500V AC/minute

Pin Material: Brass/Tin over Nickel

Material: Nylon 66,UL94V-0(White)

Ordering Information & Dimensions

Circuits	Dimensions(mm)		Circuits	Dimensions(mm)	
	A	B		A	B
3P	7.92	11.88	11P	39.60	43.56
5P	15.84	19.80	13P	47.52	51.48
7P	23.76	27.72	15P	55.44	59.40
9P	31.68	35.64			



CHANGJIANG CONNECTORS CO.,LTD.

Unit	Scale	Sheet
mm	3:1	1 of 1
Draw BY:	Approved :	
Tony Su	Jack Yin	

Title :
7.92mm PITCH
180° WAFER

General Tolerance		
x.x±0.25	ANGLE±	
x.xx±0.20	⊕	
x.xxx±0.15	⊖	

DRAW NO : A3963WV-XP-A REV A0

REV	DESCRIPTION	DATE
A0	NEW RELEASE	2005.05.10